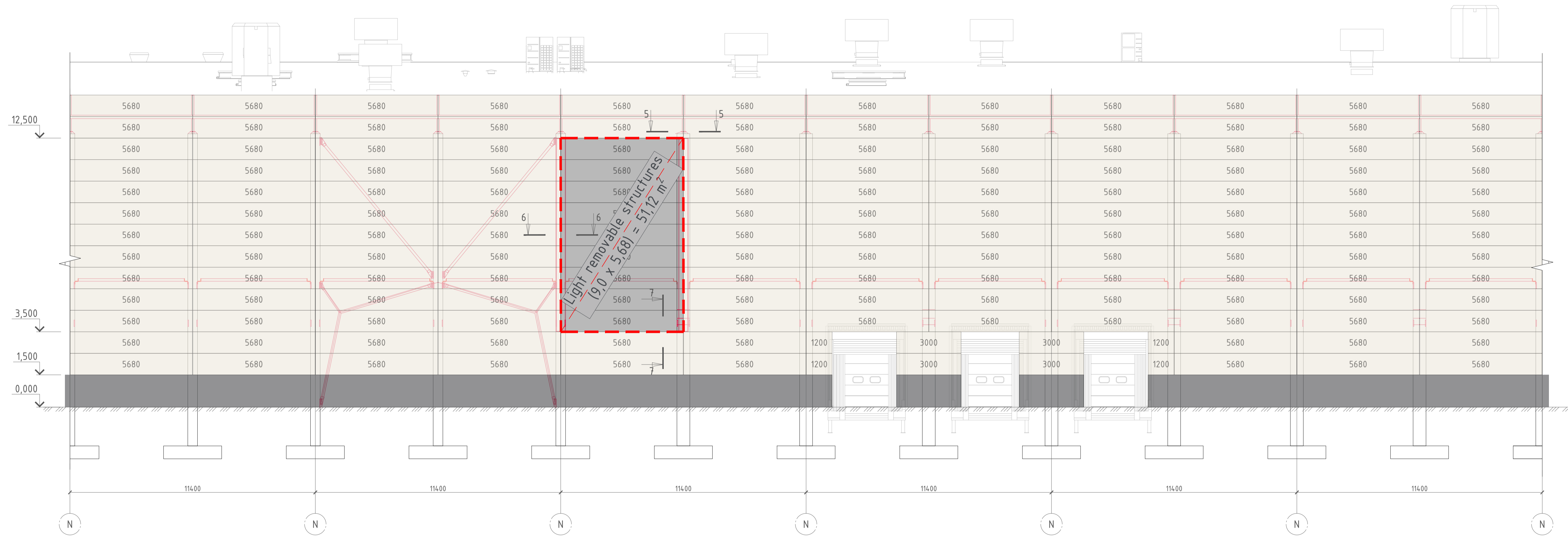
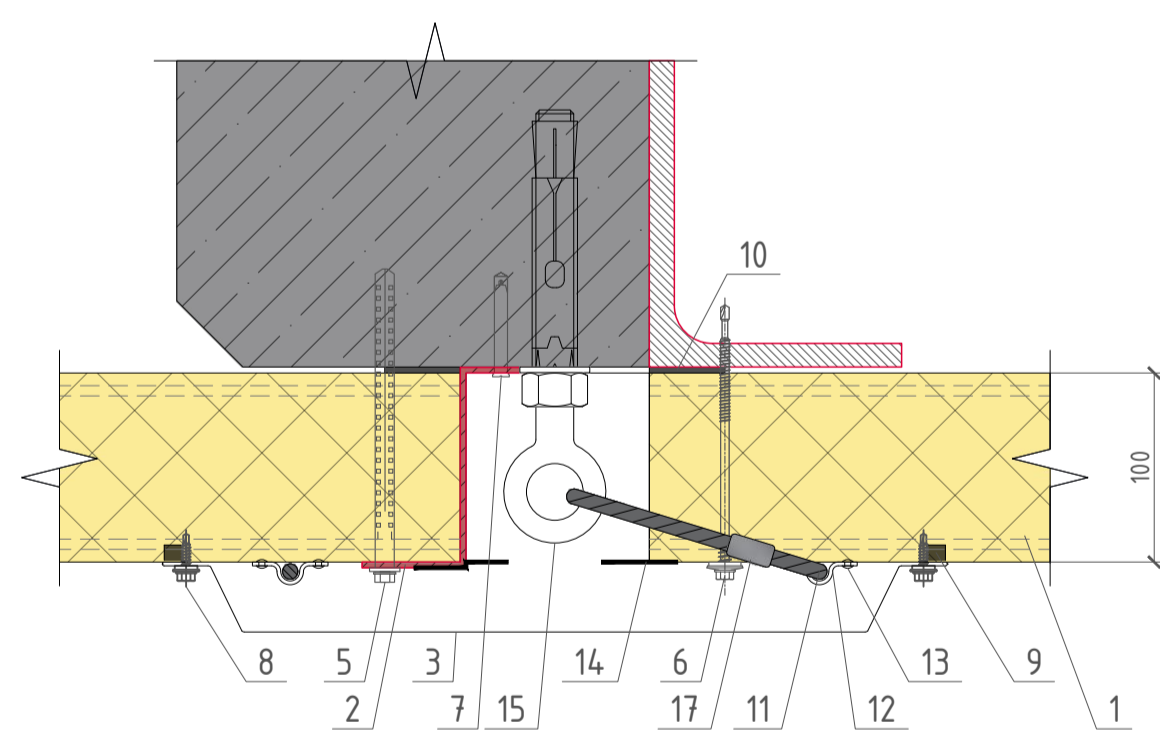




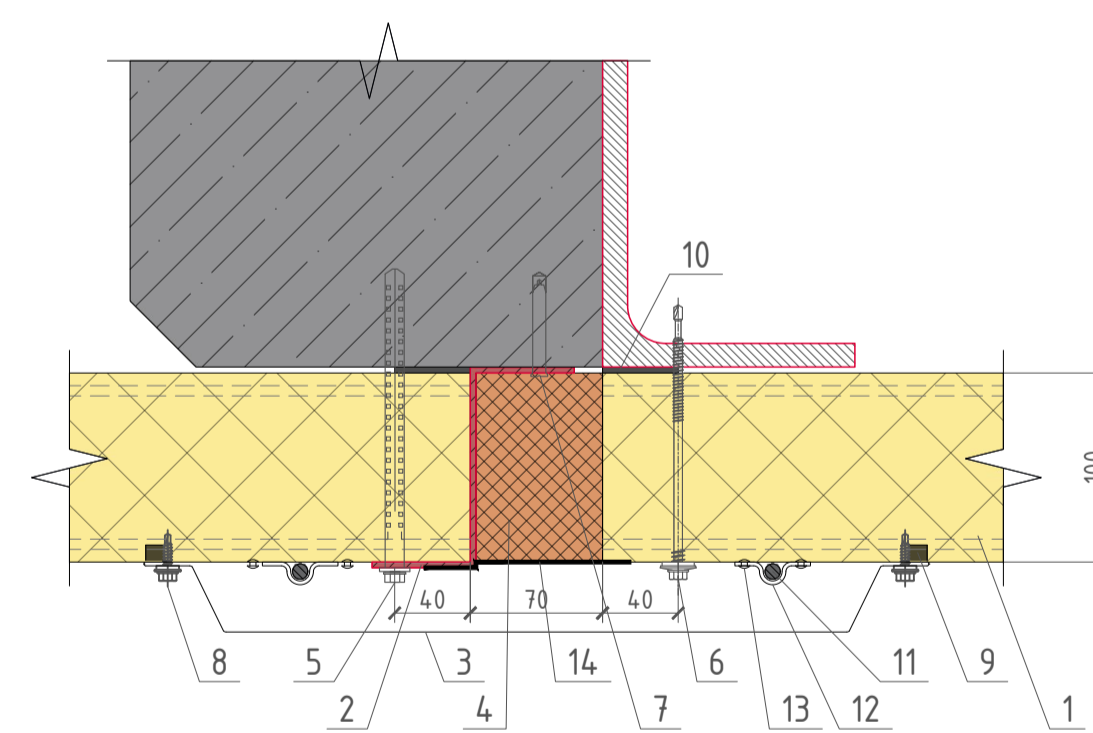
An example of a horizontal arrangement of sandwich panels



5-5

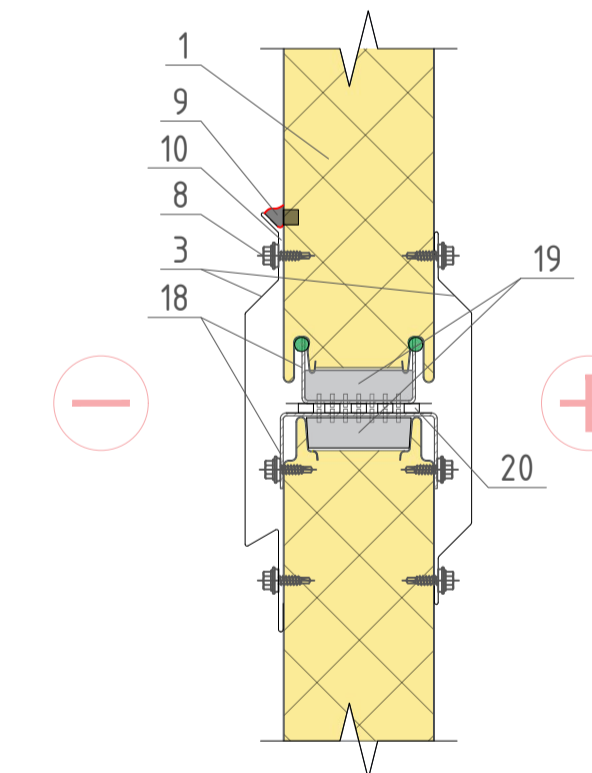


6-6



A folding anchor is attached to the column at the upper corners of the explosive area to prevent the panels from falling after the explosion.

7-7



Notes:

1. Sandwich panel Ruukki SPB WB 100 Energy;
2. Z-purlin h=100 mm, t=3.0 mm;
3. Decorative flashing;
4. Fire-resistant foam Soudafoam FR gun;
5. Self-tapping screw for concrete TI-S19-6.3x165 SFS;
6. Self-tapping screw for steel SDT14-S19-5.5x138 SFS;
7. Self-tapping screw for concrete TI-S19-6.3x55 SFS;
8. Self-tapping screw for steel SL2-T-A14-4.8x20 SFS;
9. Sealant neutral SILIRUB 2 white;
10. Izolon thermal sealing gasket 4 mm\*20 mm;
11. Galvanized steel cable ø8 mm;
12. Steel mounting bracket ø10 mm;
13. Rivet;
14. Bitumen tape 15 cm / 10 m / Alu;
15. Single spacer anchor with nut and ring M20x170;
16. Folding bolt M20x170;
17. Cable clamp;
18. Perforated U-profile Ruukki EA1U80 / EA1U100;
19. Sealing thermal gasket;
20. Sealing tape Ruukki EA3SP100.