
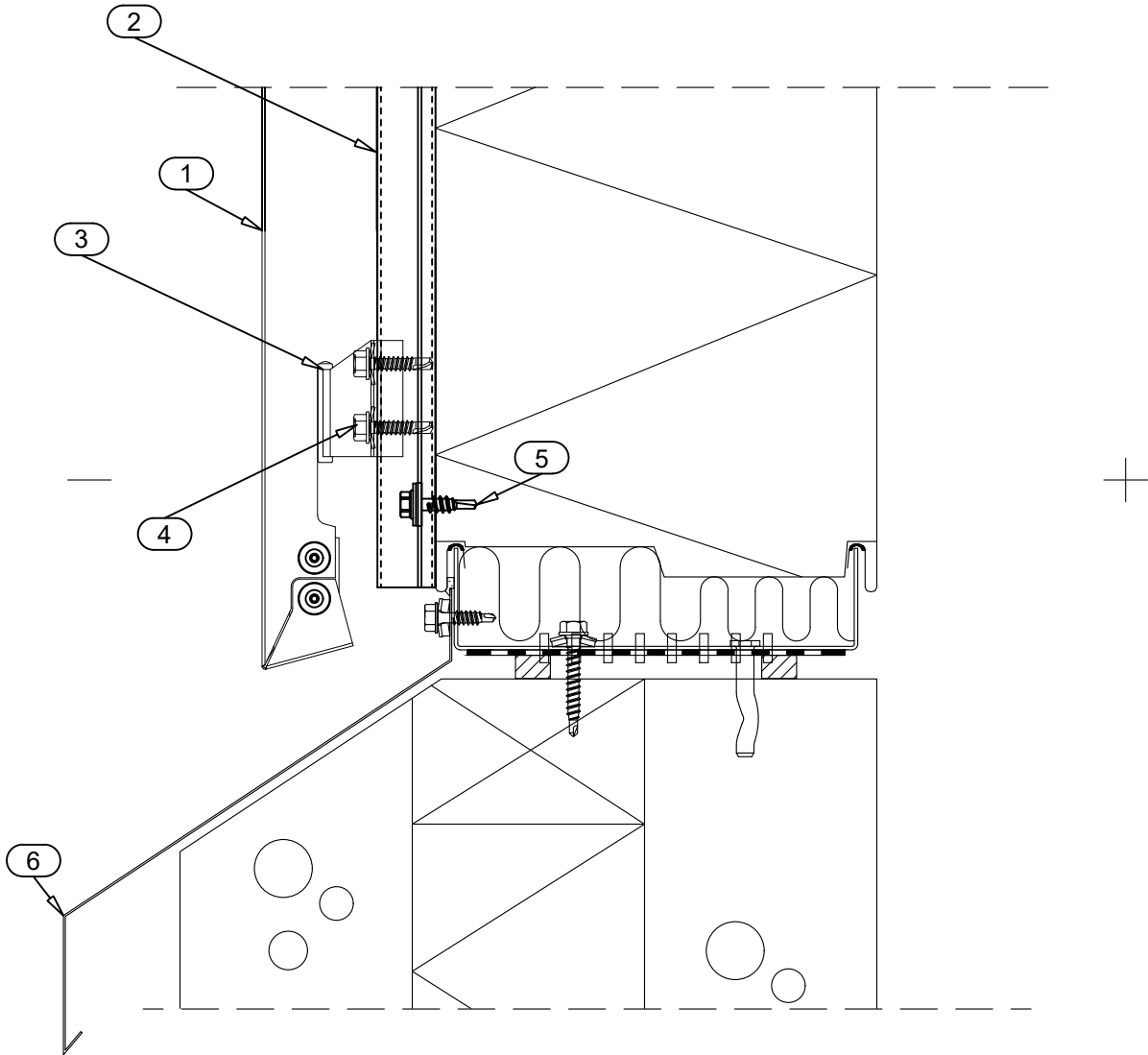


Drw. nr.	Contents of drawing	Date	Rev.	Rev. date
S150DT01	Plinth, vertical section	17.10.2019	b	21.11.2019
S150DT02	Horizontal joint, vertical section	17.10.2019	b	21.11.2019
S150DT03	Vertical joint, horizontal section	17.10.2019	b	21.11.2019
S150DT04	External corner, horizontal section	17.10.2019	b	21.11.2019
S150DT05	Internal corner, horizontal section	17.10.2019	b	21.11.2019
S150DT06	Edges of window, vertical section	17.10.2019	b	21.11.2019
S150DT07	Vertical edge of window, horizontal section	17.10.2019	b	21.11.2019
S150DT08	Upper edge of door, vertical section	17.10.2019	b	21.11.2019
S150DT09	Vertical edge of door, horizontal section	17.10.2019	b	21.11.2019
S150DT10	Short eaves, vertical section	17.10.2019	b	21.11.2019



City sector	Block	Site/Reg. nr.	File nr.	
Building type		Drawing type		Nr.
Building, Name and address		Contents of drawing		Scale
		Primo Skyline 150		
		Base detail drawings		
Date 17.10.2019	Designer Ruukki	Work nr.	Work nr.	Drw. nr.      Rev.
Drawn by	Checked			

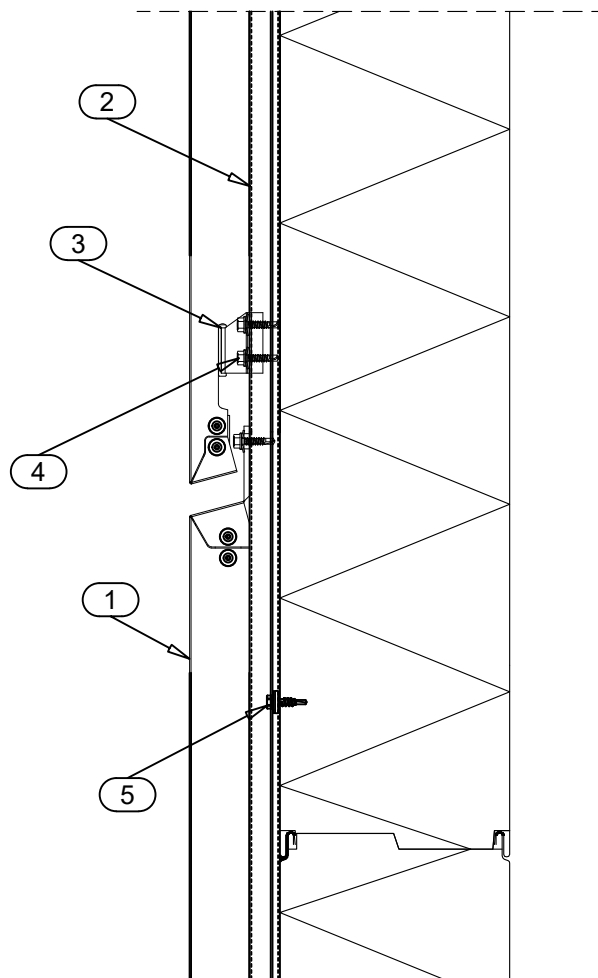
Date	17.10.2019	Rev. date	21.11.2019	Work nr.	Drw. nr. S150DT01	Rev. b
Drawn by	Ruukki	Rev.	P03			
Scale	1:2.5	Building			File nr.	



- 1. PRIMO SKYLINE 150
- 2. SUPPORT STUD CA1SS1
- 3. SUPPORT BRACKET CA1SB01
- 4. SCREW S3H48022D02S4C 100
- 5. SCREW S3H55022L02S4B 100
- 6. PLINTH FLASHING CA1P1X

DELIVERY OF RUUKKI

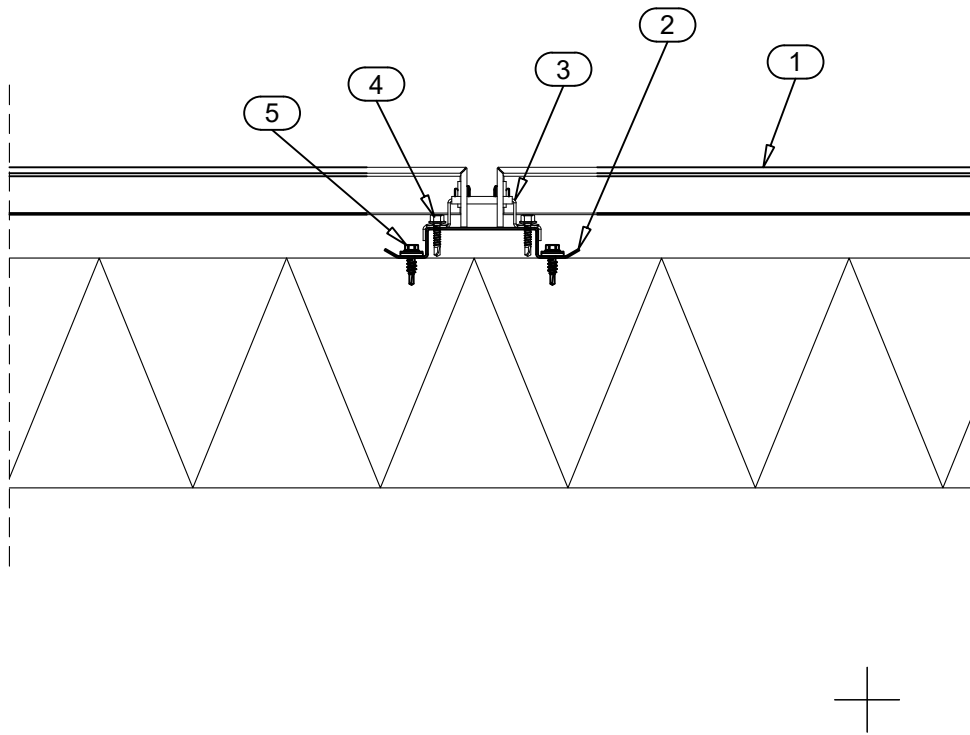
Date	17.10.2019	Rev. date	21.11.2019	Work nr.	Rev.	
Drawn by	Ruukki	Rev.	P03			Drw. nr.
Scale	1:5	Building			File nr.	b



- 1. PRIMO SKYLINE 150
- 2. SUPPORT STUD CA1SS1
- 3. SUPPORT BRACKET CA1SB01
- 4. SCREW S3H48022D02S4C 100
- 5. SCREW S3H55022L02S4B 100

DELIVERY OF RUUKKI

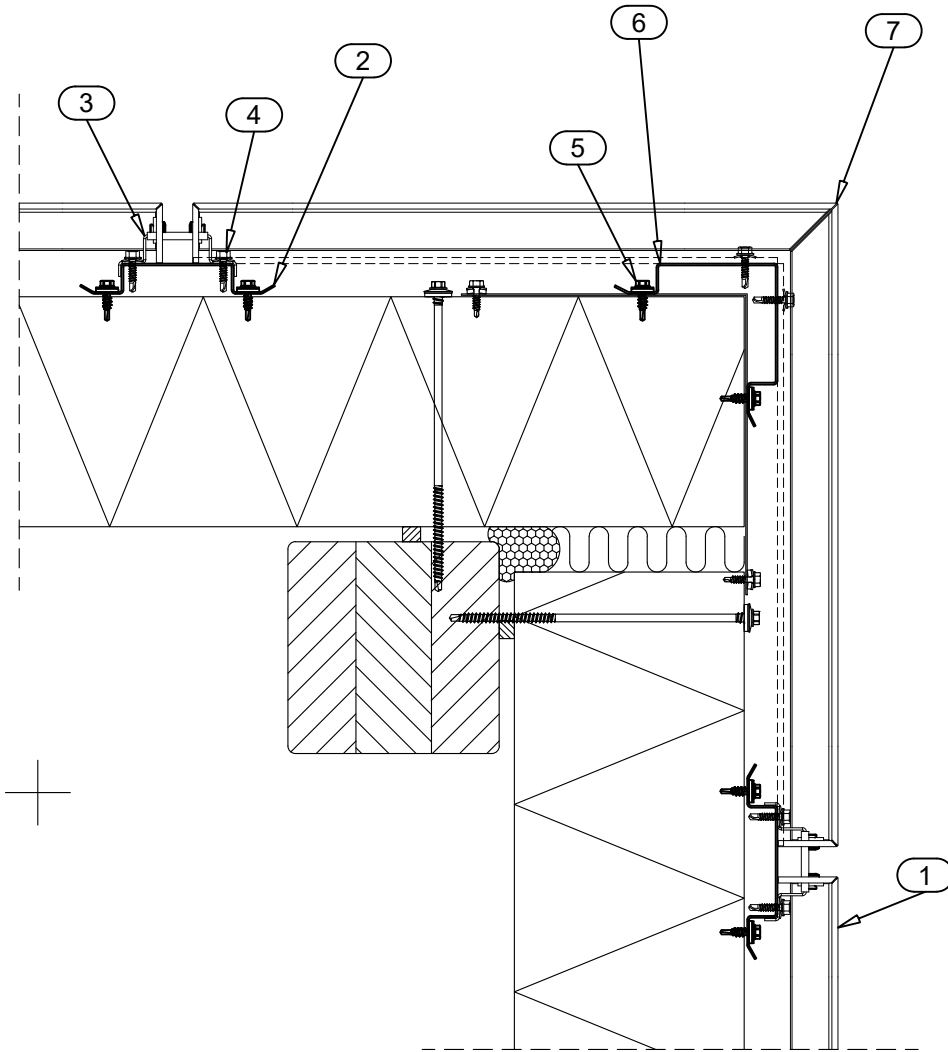
Date	17.10.2019	Rev. date	21.11.2019	Work nr.	Drw. nr.	Rev.
Drawn by	Ruukki	Rev.	P03			
Scale	1:5	Building		File nr.		



- 1. PRIMO SKYLINE 150
- 2. SUPPORT STUD CA1SS1
- 3. SUPPORT BRACKET CA1SB01
- 4. SCREW S3H48022D02S4C 100
- 5. SCREW S3H55022L02S4B 100

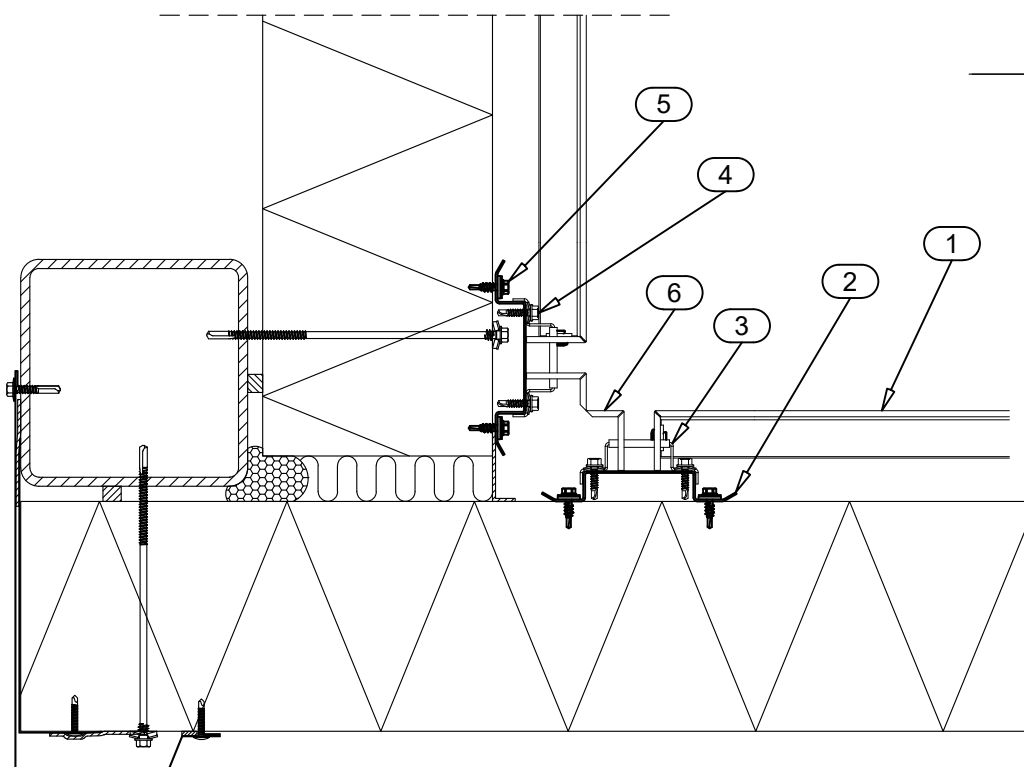
DELIVERY OF RUUKKI

Date	17.10.2019	Rev. date	21.11.2019	Work nr.	Drw. nr.	Rev.
Drawn by	Ruukki	Rev.	P03		S150DT04	b
Scale	1:5	Building			File nr.	



- 1. PRIMO SKYLINE 150
- 2. SUPPORT STUD CA1SS1
- 3. SUPPORT BRACKET CA1SB01
- 4. SCREW S3H48022D02S4C 100
- 5. SCREW S3H55022L02S4B 100
- 6. SUPPORT STUD CA1SSC1
- 7. PRIMO SKYLINE 150 CORNER PANEL
- DELIVERY OF RUUKKI

Date	17.10.2019	Rev. date	21.11.2019	Work nr.	Drw. nr.	Rev.
Drawn by	Ruukki	Rev.	P03			
Scale	1:5	Building		File nr.		

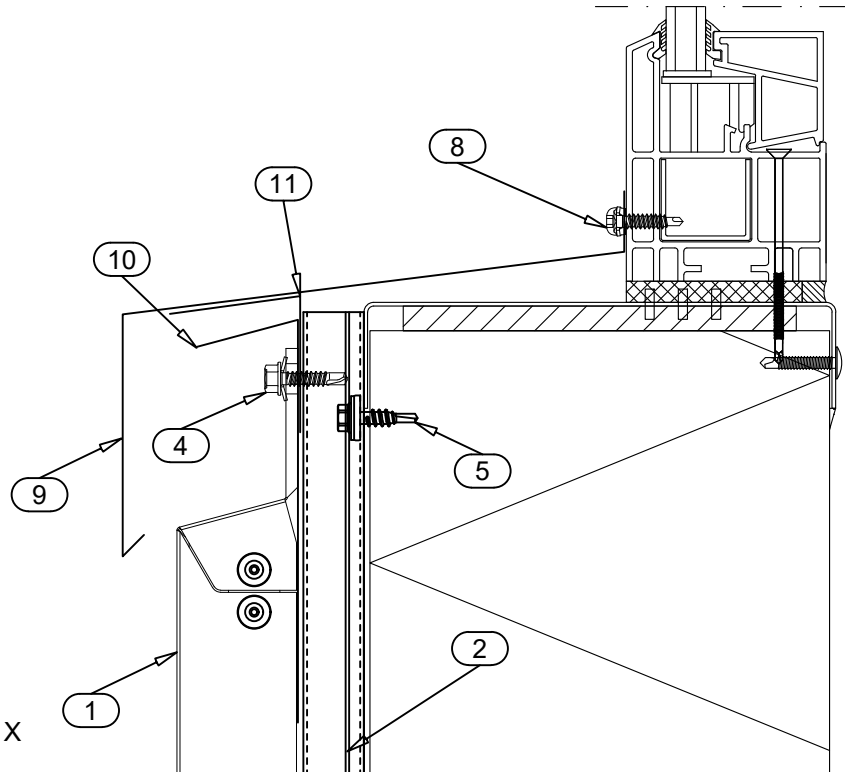
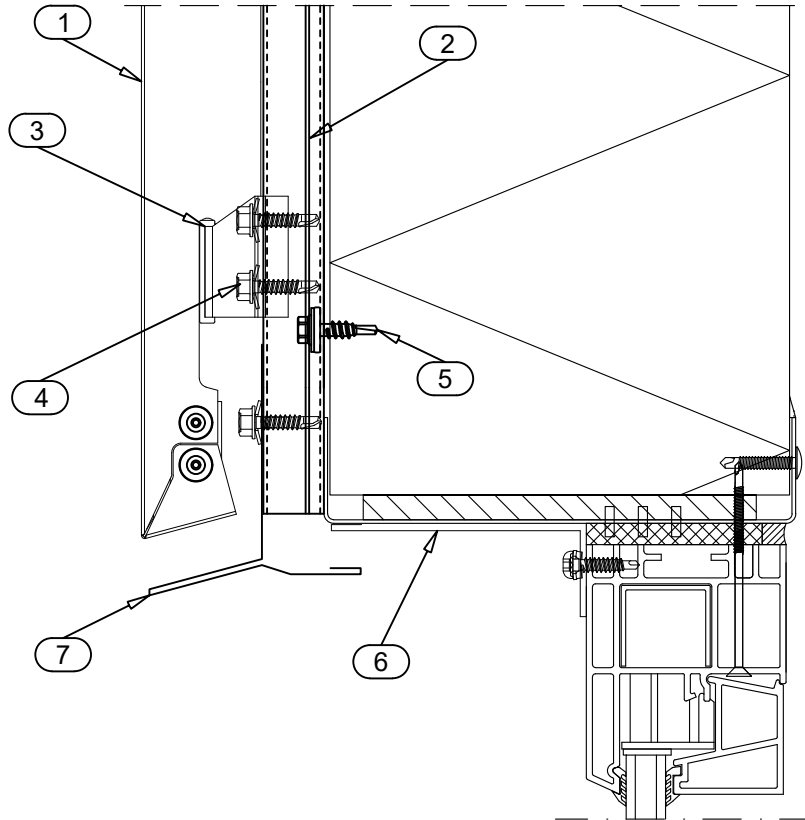


- 1. PRIMO SKYLINE 150
- 2. SUPPORT STUD CA1SS1
- 3. SUPPORT BRACKET CA1SB01
- 4. SCREW S3H48022D02S4C 100
- 5. SCREW S3H55022L02S4B 100
- 6. INTERNAL CORNER FLASHING CA1IC16X

DELIVERY OF RUUKKI

Date	17.10.2019	Rev. date	21.11.2019	Work nr.	Drw. nr.	Rev.
Drawn by	Ruukki	Rev.	P03		S150DT06	b
Scale	1:2.5	Building			File nr.	

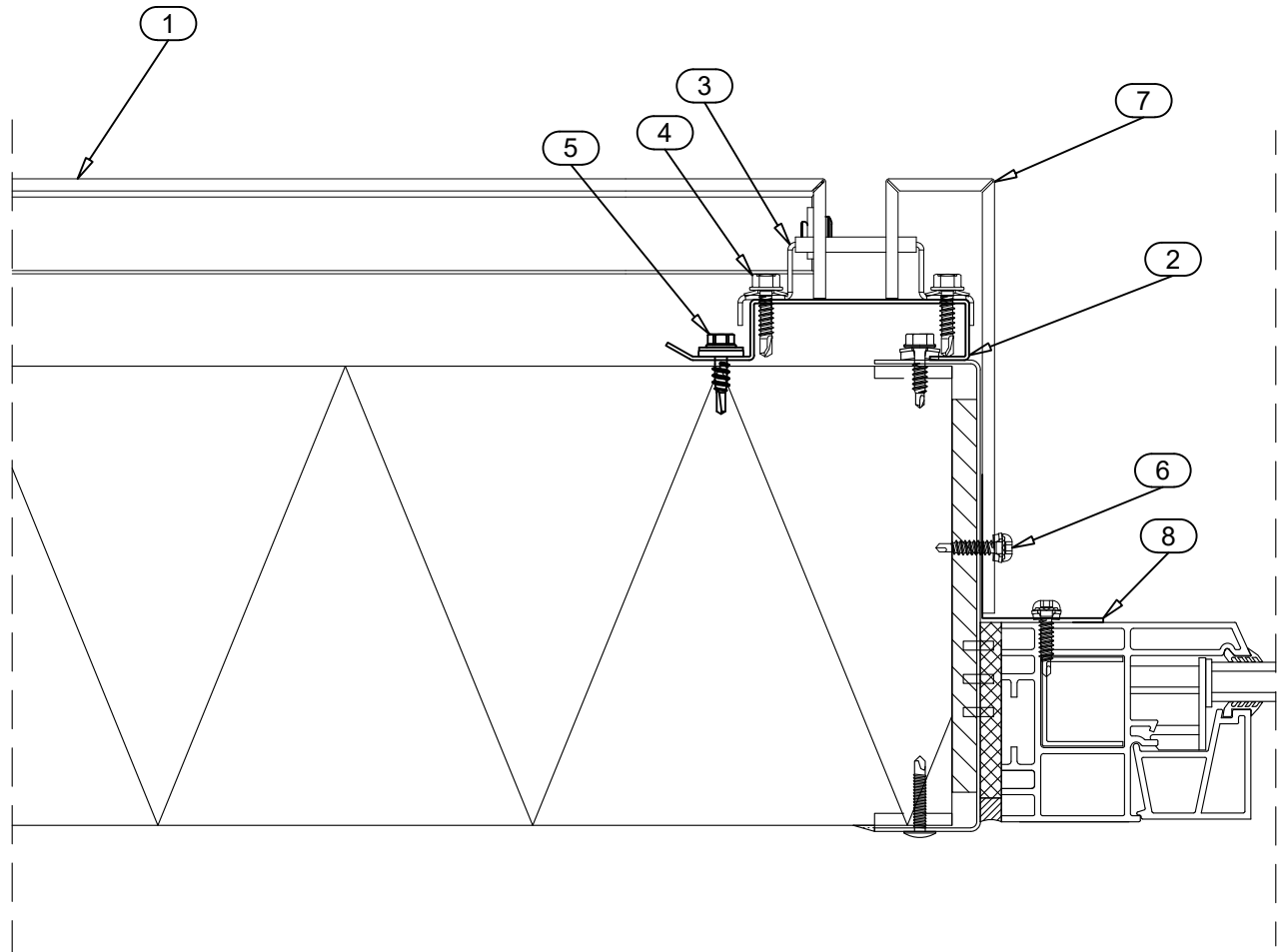
- 1. PRIMO SKYLINE 150
- 2. SUPPORT STUD CA1SS1
- 3. SUPPORT BRACKET CA1SB01
- 4. SCREW S3H48022D02S4C 100
- 5. SCREW S3H55022L02S4B 100
- 6. COVER FLASHING CA1C10X
- 7. COVER FLASHING CA1C9X



- 8. SCREW S3R48022D02A0B 100
- 9. SILL FLASHING CA1S1X
- 10. STORM FLASHING CA1ST1X
- 11. SUPPORT FLASHING CA1SU1X

DELIVERY OF RUUKKI

Date	17.10.2019	Rev. date	21.11.2019	Work nr.	Drw. nr.	Rev.
Drawn by	Ruukki	Rev.	P03		S150DT07	b
Scale	1:2.5	Building			File nr.	

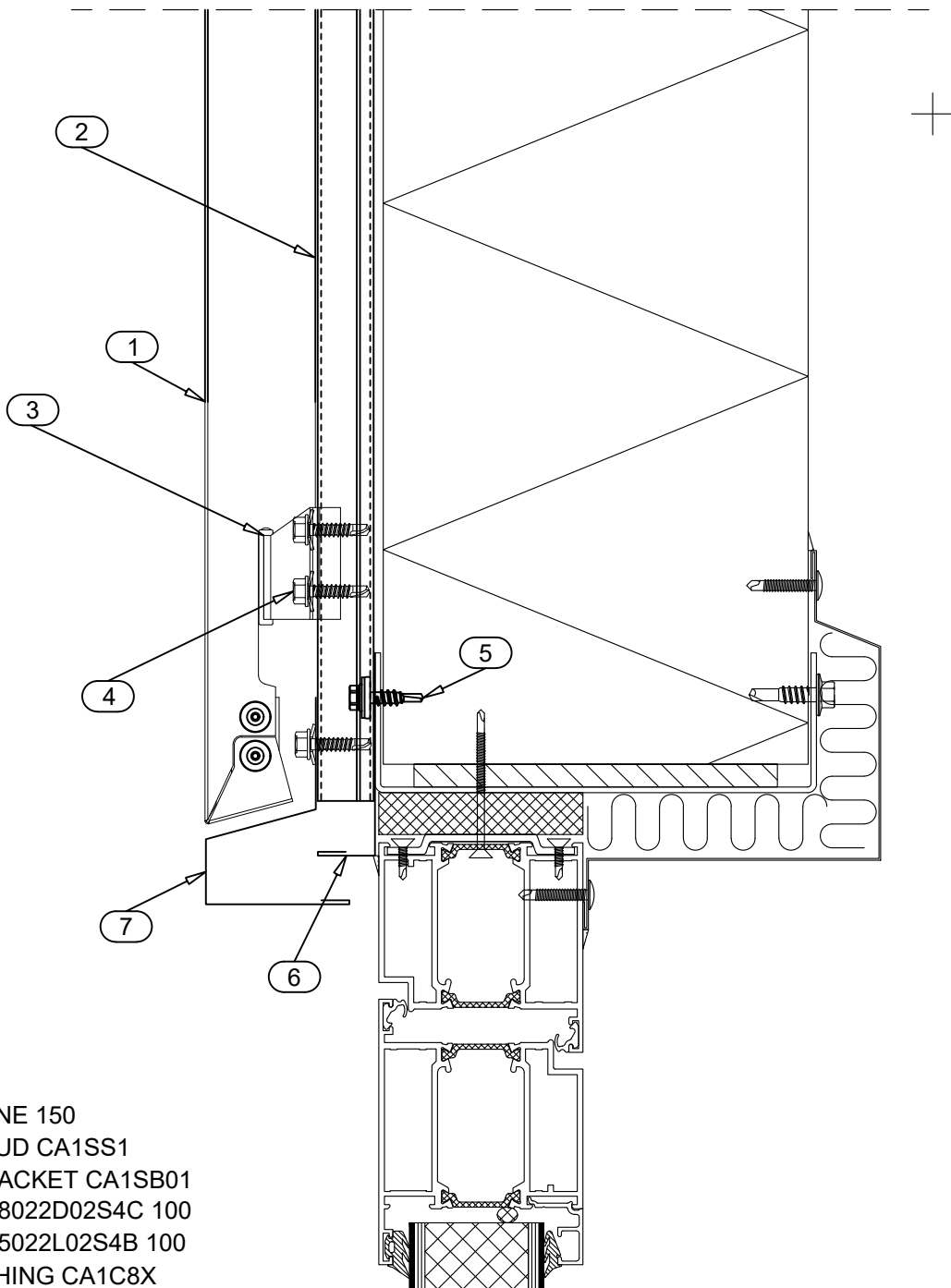


- 1. PRIMO SKYLINE 150
- 2. SUPPORT STUD CA1RS1
- 3. SUPPORT BRACKET CA1SB01
- 4. SCREW S3H48022D02S4C 100
- 5. SCREW S3H55022L02S4B 100
- 6. SCREW S3R48022D02A0B 100
- 7. COVER FLASHING CA1C17X
- 8. COVER FLASHING CA1C10X

DELIVERY OF RUUKKI

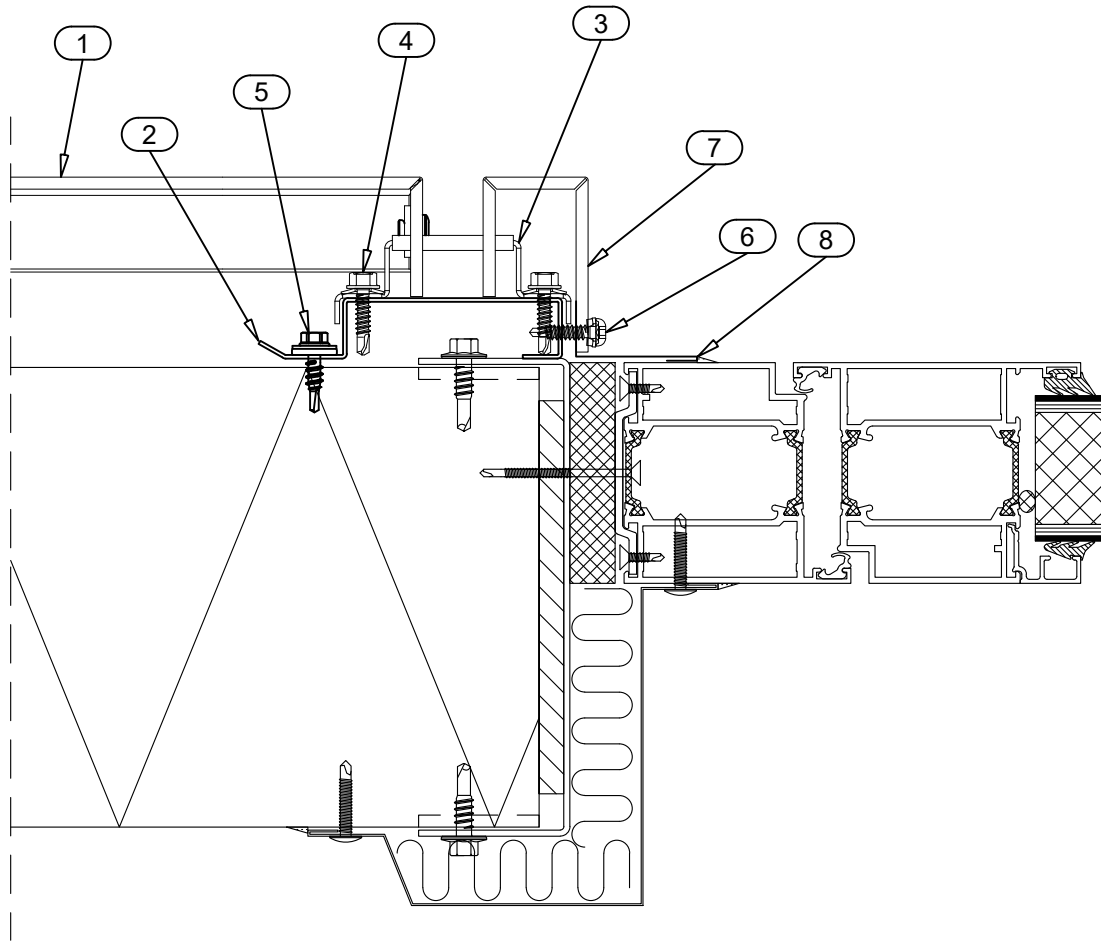


Date	17.10.2019	Rev. date	21.11.2019	Work nr.	Drw. nr.	Rev.
Drawn by	Ruukki	Rev.	P03		S150DT08	b
Scale	1:2.5	Building			File nr.	



- 1. PRIMO SKYLINE 150
- 2. SUPPORT STUD CA1SS1
- 3. SUPPORT BRACKET CA1SB01
- 4. SCREW S3H48022D02S4C 100
- 5. SCREW S3H55022L02S4B 100
- 6. COVER FLASHING CA1C8X
- 7. COVER FLASHING CA1C7X
- DELIVERY OF RUUKKI

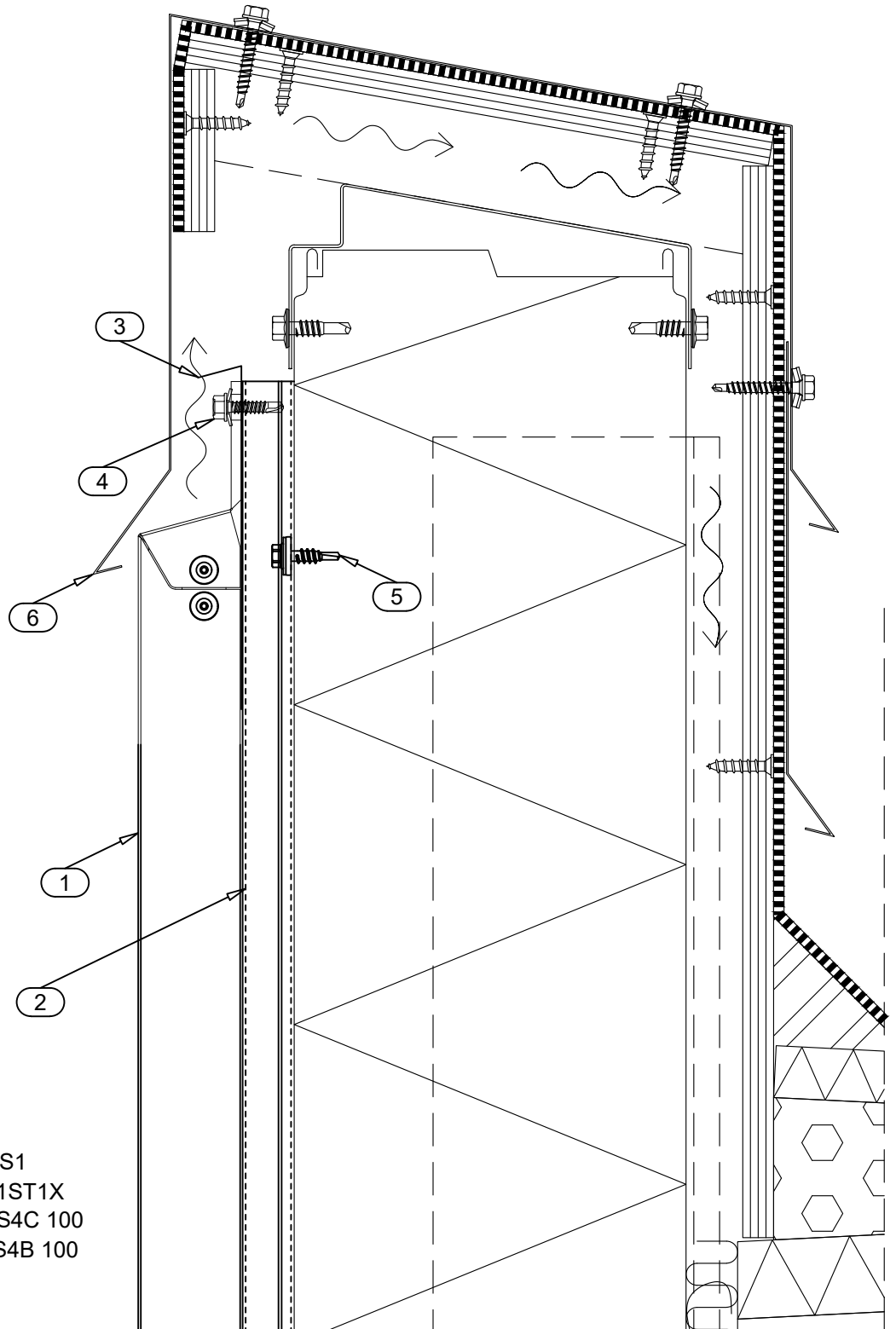
Date	17.10.2019	Rev. date	21.11.2019	Work nr.	Drw. nr.	Rev.
Drawn by	Ruukki	Rev.	P03		S150DT09	b
Scale	1:2.5	Building			File nr.	



- 1. PRIMO SKYLINE 150
- 2. SUPPORT STUD CA1RS1
- 3. SUPPORT BRACKET CA1SB01
- 4. SCREW S3H48022D02S4C 100
- 5. SCREW S3H55022L02S4B 100
- 6. SCREW S3R48022D02A0B 100
- 7. COVER FLASHING CA1C17X
- 8. COVER FLASHING CA1C12X

DELIVERY OF RUUKKI

Date	17.10.2019	Rev. date	21.11.2019	Work nr.	Drw. nr.	Rev.
Drawn by	Ruukki	Rev.	P03		S150DT10	b
Scale	1:2.5	Building			File nr.	



- 1. PRIMO SKYLINE 150
- 2. SUPPORT STUD CA1SS1
- 3. STORM FLASHING CA1ST1X
- 4. SCREW S3H48022D02S4C 100
- 5. SCREW S3H55022L02S4B 100
- 6. EAVES FLASHING
- DELIVERY OF RUUKKI