


Drw. nr.	Contents of drawing	Date	Rev.	Rev. date
S100DT01	Plinth, vertical section	01.11.2019	b	21.11.2019
S100DT02	Horizontal joint, vertical section	01.11.2019	b	21.11.2019
S100DT03	Vertical joint, horizontal section	01.11.2019	b	21.11.2019
S100DT04	External corner, horizontal section	01.11.2019	b	21.11.2019
S100DT05	Internal corner, horizontal section	01.11.2019	b	21.11.2019
S100DT06	Edges of window, vertical section	01.11.2019	b	21.11.2019
S100DT07	Vertical edge of window, horizontal section	01.11.2019	b	21.11.2019
S100DT08	Upper edge of door, vertical section	01.11.2019	b	21.11.2019
S100DT09	Vertical edge of door, horizontal section	01.11.2019	b	21.11.2019
S100DT10	Short eaves, vertical section	01.11.2019	b	21.11.2019

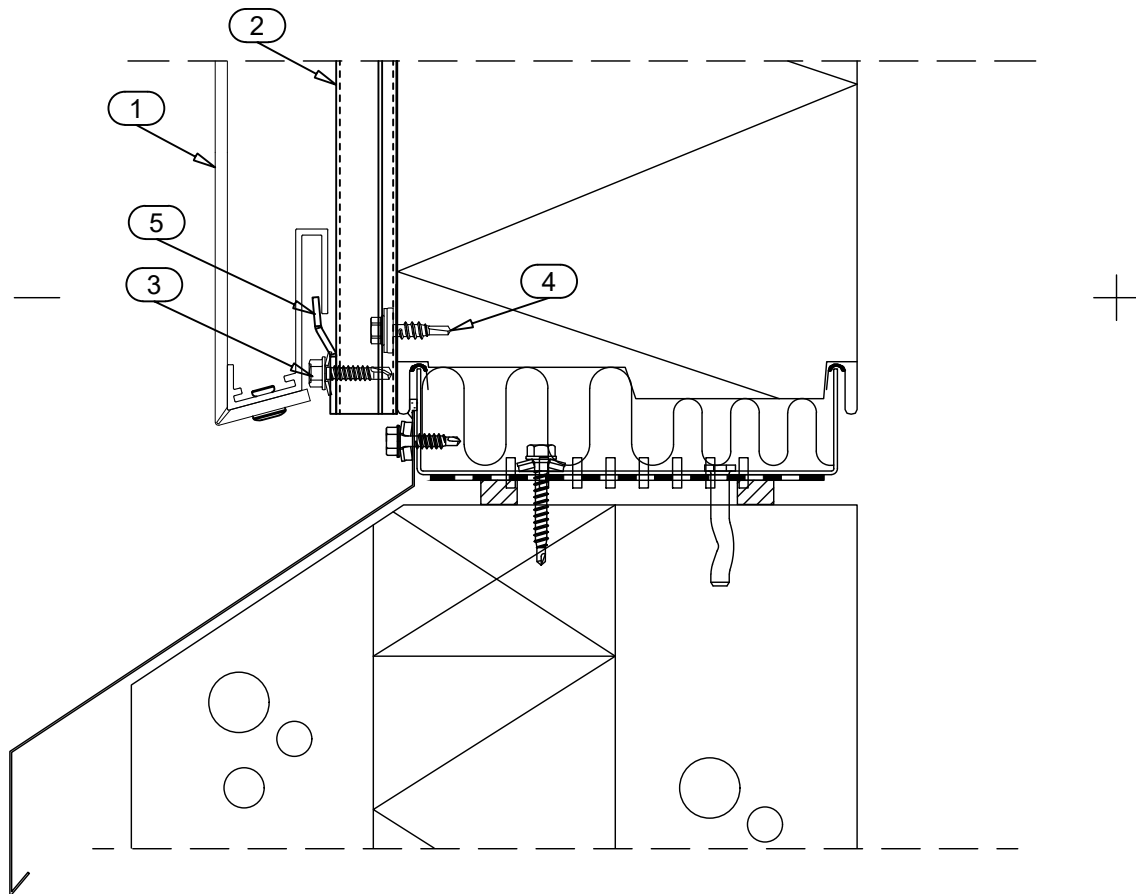
--	--	--	--	--

City sector	Block	Site/Reg. nr.	File nr.				
Building type		Drawing type			Nr.		
Building, Name and address		Contents of drawing		Scale			
		Primo Skyline 100					
		Base detail drawings					
Date	17.10.2019	Designer	Ruukki	Work nr.	Work nr.	Drw. nr.	Rev.
Drawn by	Checked						

# RUUKKI

Contents of drawing  
Primo Skyline 100  
Plinth  
Vertical section

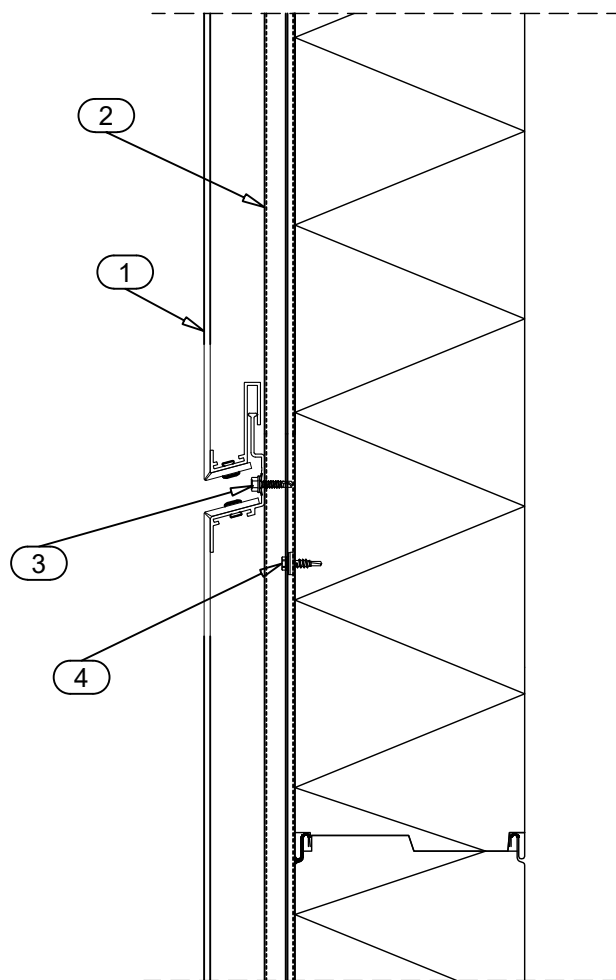
Date	17.10.2019	Rev. date	21.11.2019	Work nr.	Drw. nr.	Rev.
Drawn by	Ruukki	Rev.	P03			
Scale	1:2.5	Building		File nr.		



- 1. PRIMO SKYLINE 100
- 2. SUPPORT STUD CA1SS1
- 3. SCREW S3H48022D02S4C
- 4. SCREW S3H55022L02S4B 100
- 5. STARTING FILLET CA1SF10
- 6. PLINTH FLASHING CA1P1X

DELIVERY OF RUUKKI

Date	17.10.2019	Rev. date	21.11.2019	Work nr.	Rev.
Drawn by	Ruukki	Rev.	P03		
Scale	1:5	Building		File nr.	



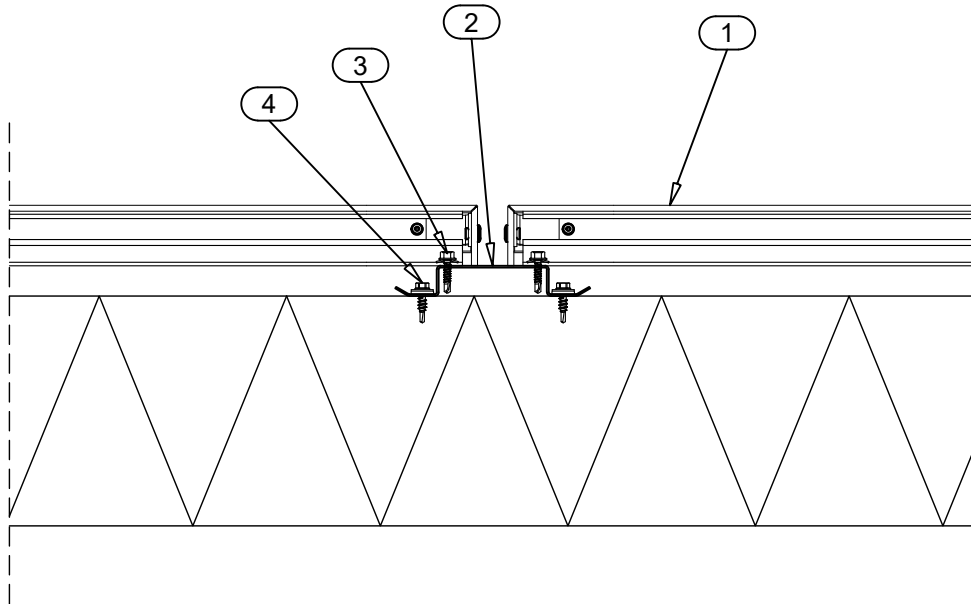
- 1. PRIMO SKYLINE 100
- 2. SUPPORT STUD CA1SS1
- 3. SCREW S3H48022D02S4C
- 4. SCREW S3H55022L02S4B 100

DELIVERY OF RUUKKI



Contents of drawing  
Primo Skyline 100  
Vertical joint  
Horizontal section

Date	17.10.2019	Rev. date	21.11.2019	Work nr.	Drw. nr.	Rev.
Drawn by	Ruukki	Rev.	P03			
Scale	1:5	Building		File nr.		



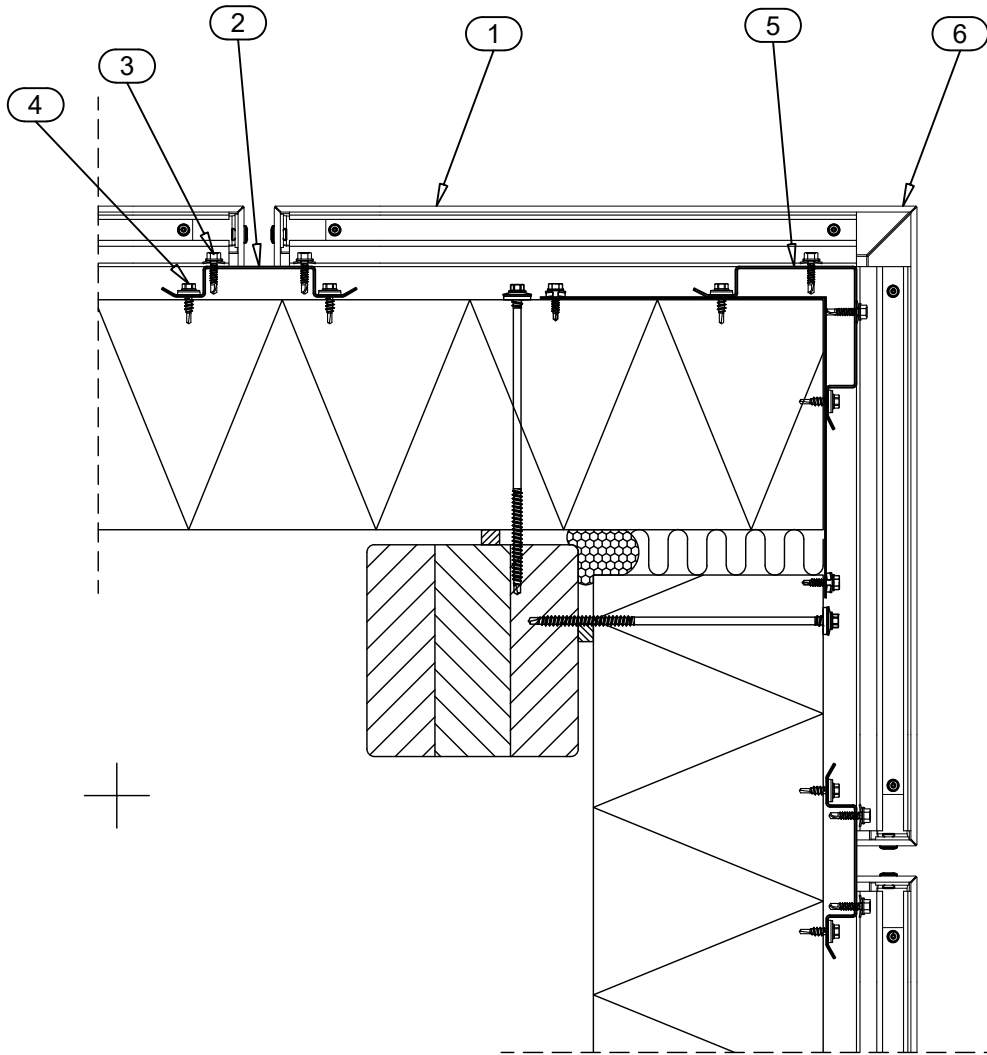
- 1. PRIMO SKYLINE 100
- 2. SUPPORT STUD CA1SS1
- 3. SCREW S3H48022D02S4C
- 4. SCREW S3H55022L02S4B 100

DELIVERY OF RUUKKI

# RUUKKI

Contents of drawing  
Primo Skyline 100  
External corner  
Horizontal section

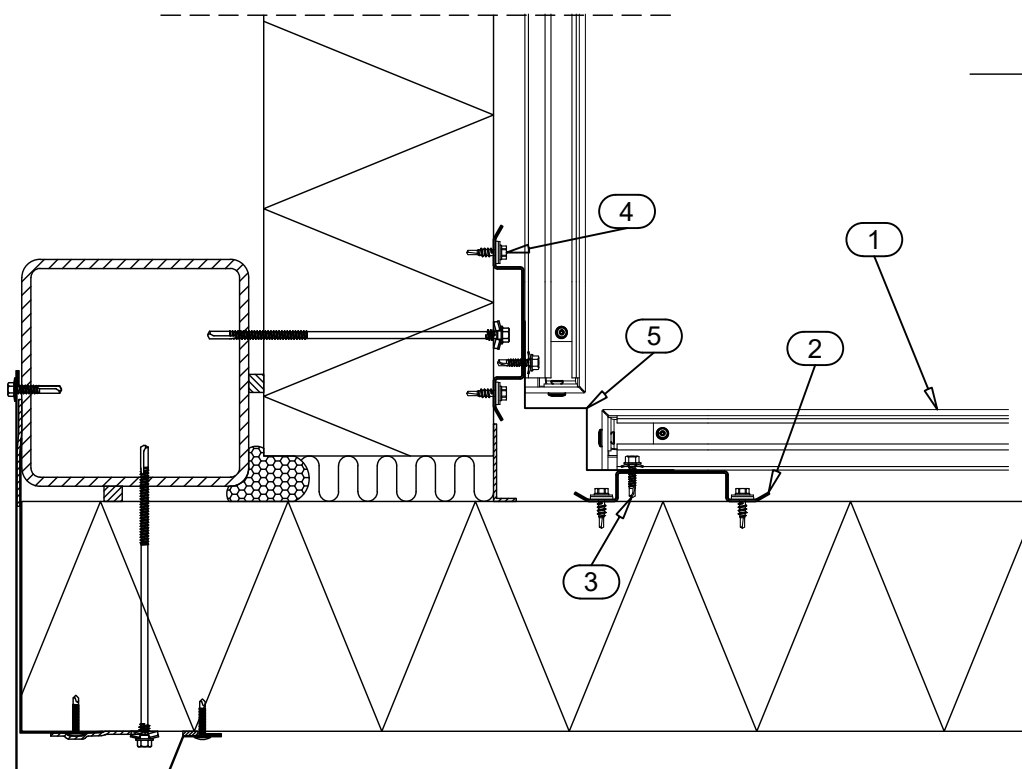
Date	17.10.2019	Rev. date	21.11.2019	Work nr.	Rev.
Drawn by	Ruukki	Rev.	P03		
Scale	1:5	Building		File nr.	b



- 1. PRIMO SKYLINE 100
- 2. SUPPORT STUD CA1SS1
- 3. SCREW S3H48022D02S4C
- 4. SCREW S3H55022L02S4B 100
- 5. SUPPORT STUD CA1SSC1
- 6. PRIMO SKYLINE 100 CORNER PANEL

DELIVERY OF RUUKKI

Date	17.10.2019	Rev. date	21.11.2019	Work nr.	Rev.
Drawn by	Ruukki	Rev.	P03		
Scale	1:5	Building		File nr.	b

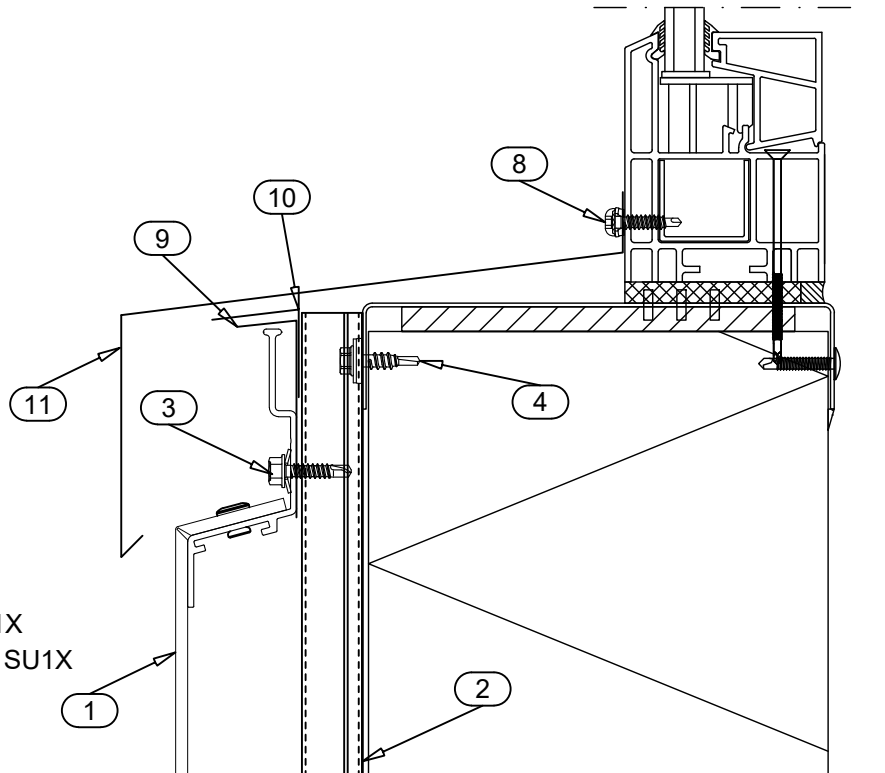
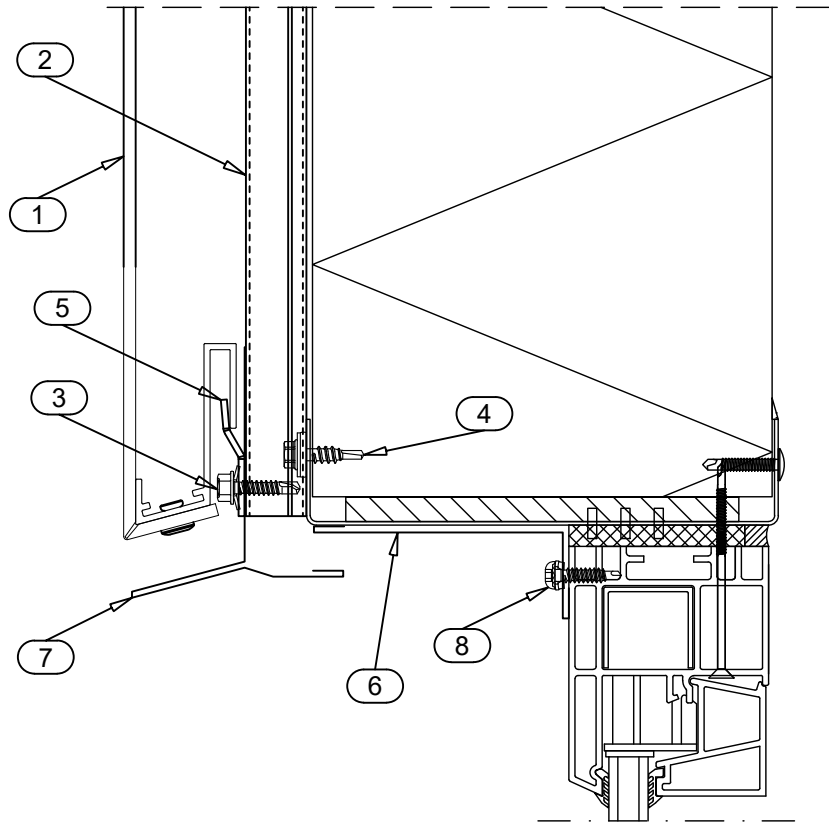


- 1. PRIMO SKYLINE 100
- 2. SUPPORT STUD CA1SS1
- 3. SCREW S3H48022D02S4C
- 4. SCREW S3H55022L02S4B 100
- 5. INTERNAL CORNER FLASHING CA1IC1X

DELIVERY OF RUUKKI

Date	17.10.2019	Rev. date	21.11.2019	Work nr.	Drw. nr.	Rev.
Drawn by	Ruukki	Rev.	P03		S100DT06	b
Scale	1:2.5	Building			File nr.	

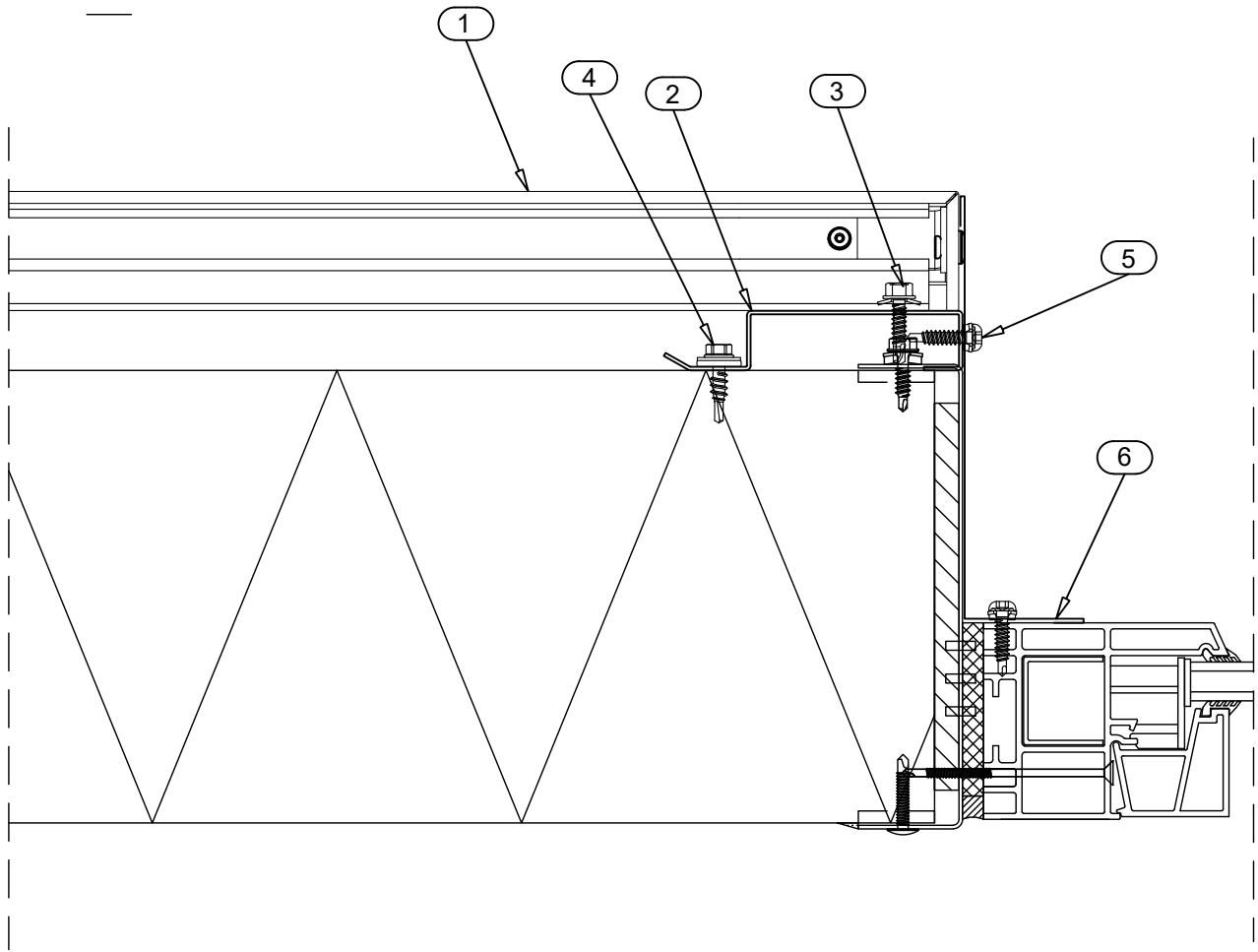
- 1. PRIMO SKYLINE 100
- 2. SUPPORT STUD CA1SS1
- 3. SCREW S3H48022D02S4C
- 4. SCREW S3H55022L02S4B 100
- 5. STARTING FILLET CA1SF10
- 6. COVER FLASHING CA1C10X
- 7. COVER FLASHING CA1C9X



- 8. SCREW S3R48022D02A0B
- 9. STORM FLASHING CA1ST1X
- 10. SUPPORT FLASHING CA1SU1X
- 11. SILL FLASHING CA1S1X

DELIVERY OF RUUKKI

Date	17.10.2019	Rev. date	21.11.2019	Work nr.	Drw. nr.	S100DT07	Rev.	b
Drawn by	Ruukki	Rev.	P03					
Scale	1:2.5	Building			File nr.			

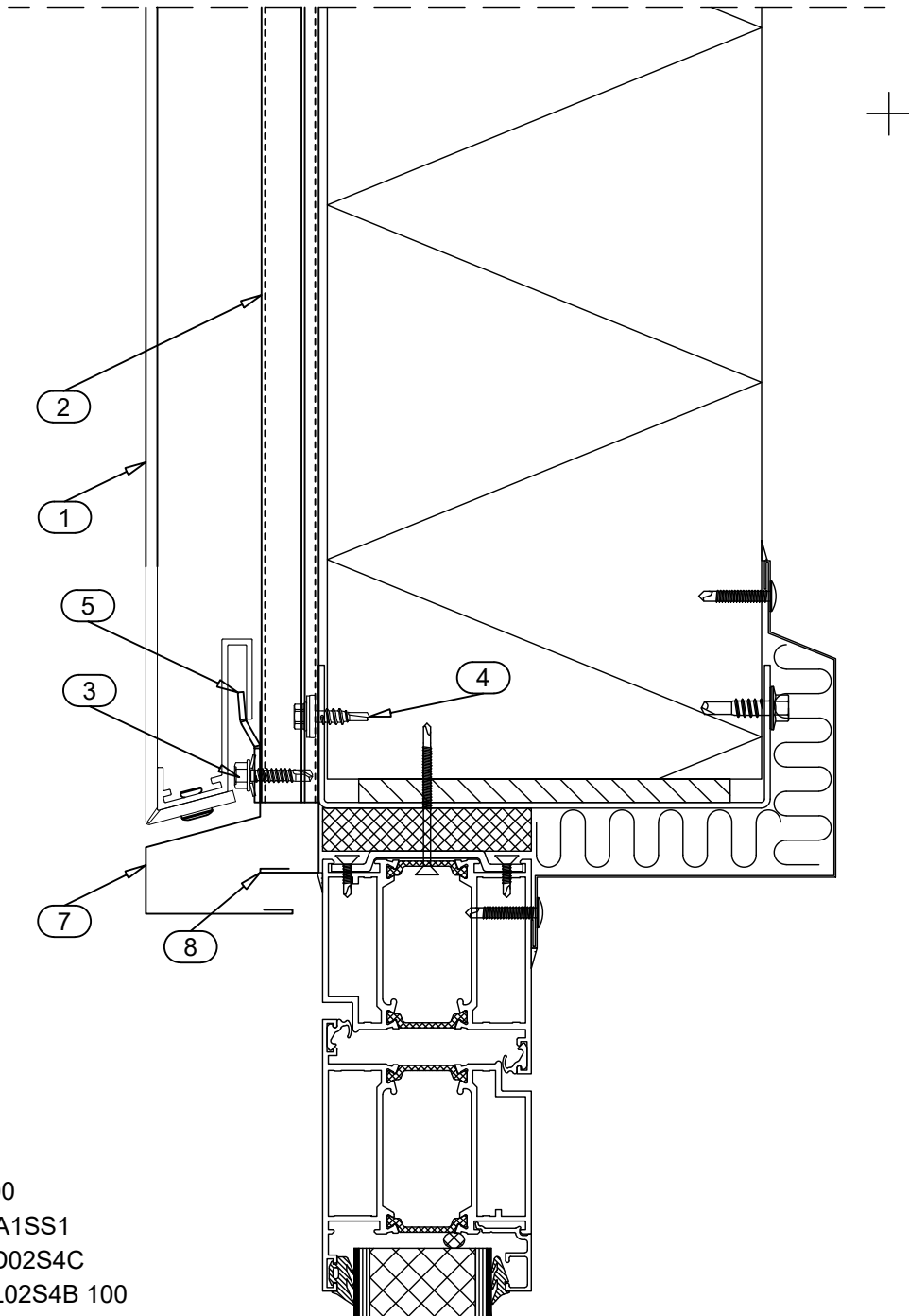


- 1. PRIMO SKYLINE 100
- 2. SUPPORT STUD CA1RS1
- 3. SCREW S3H48022D02S4C
- 4. SCREW S3H55022L02S4B 100
- 5. SCREW S3R48022D02A0B 100
- 6. COVER FLASHING CA1C10X

DELIVERY OF RUUKKI



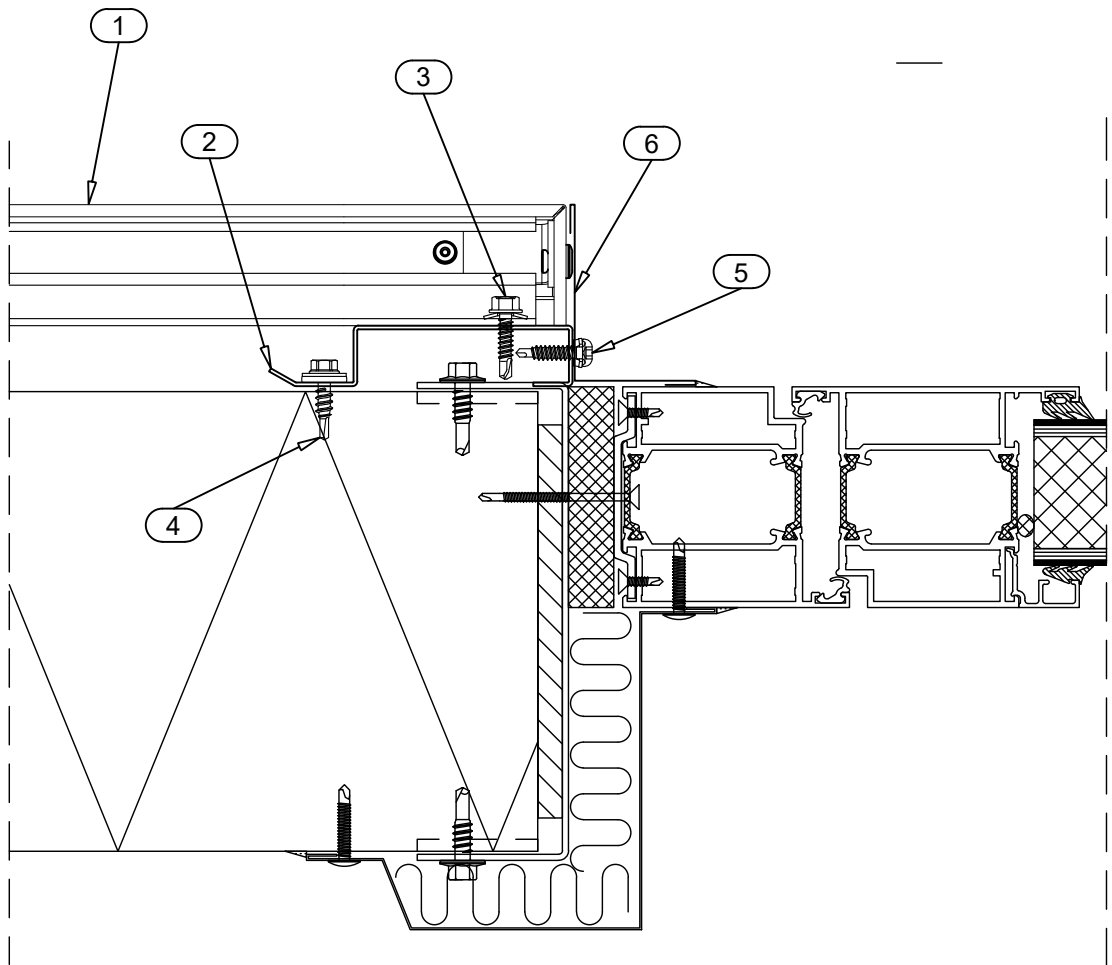
Date	17.10.2019	Rev. date	21.11.2019	Work nr.	Drw. nr.	Rev.
Drawn by	Ruukki	Rev.	P03		S100DT08	b
Scale	1:2.5	Building			File nr.	



- 1. PRIMO SKYLINE 100
- 2. SUPPORT STUD CA1SS1
- 3. SCREW S3H48022D02S4C
- 4. SCREW S3H55022L02S4B 100
- 5. STARTING FILLET CA1SF10
- 6. COVER FLASHING CA1C10X
- 7. COVER FLASHING CA1C7X
- 8. COVER FLASHING CA1C8X

DELIVERY OF RUUKKI

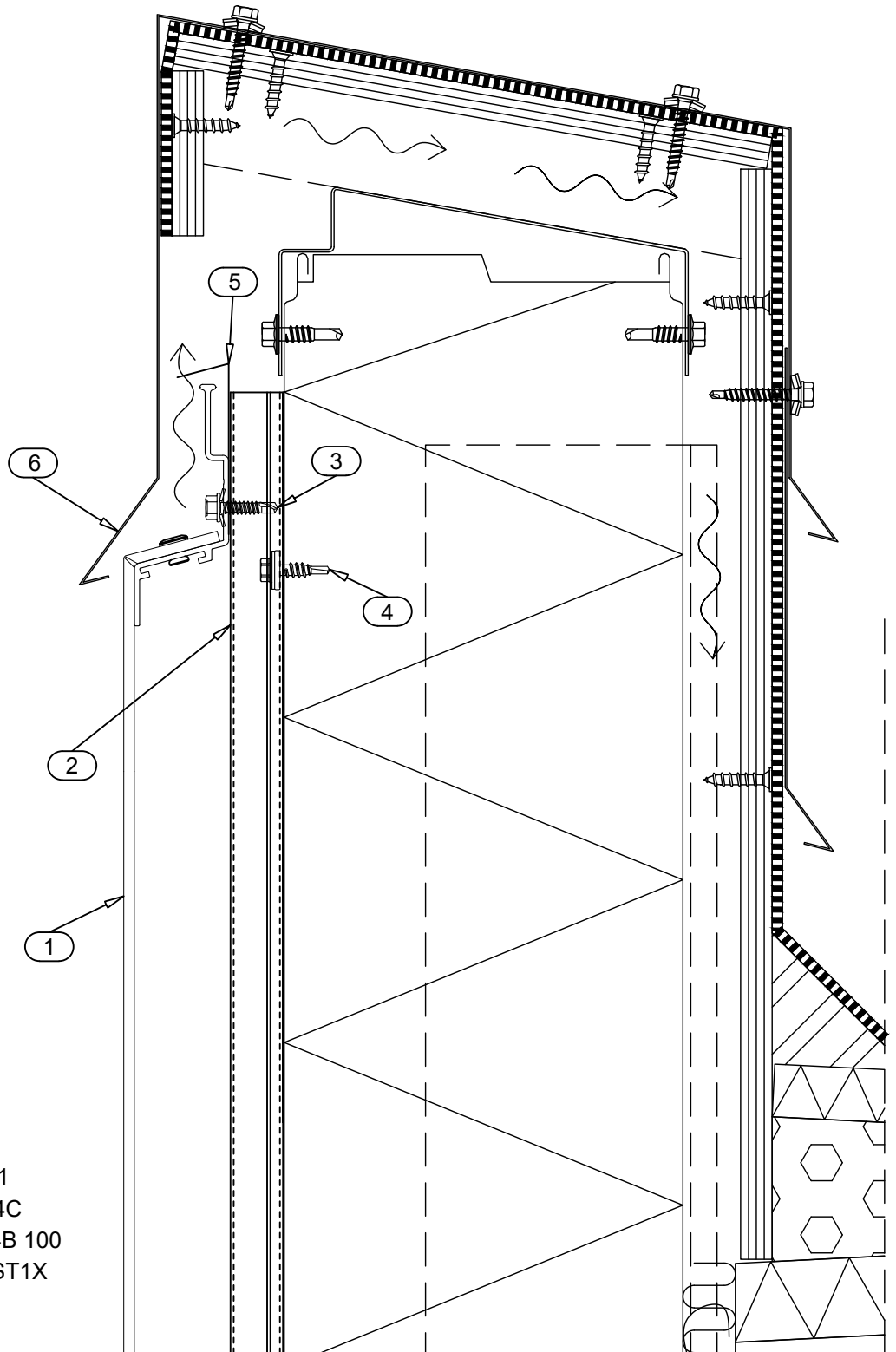
Date	17.10.2019	Rev. date	21.11.2019	Work nr.	Drw. nr.	Rev.
Drawn by	Ruukki	Rev.	P03		S100DT9	b
Scale	1:2.5	Building			File nr.	



- 1. PRIMO SKYLINE 100
- 2. SUPPORT STUD CA1RS1
- 3. SCREW S3H48022D02S4C
- 4. SCREW S3H55022L02S4B 100
- 5. SCREW S3R48022D02A0B 100
- 6. COVER FLASHING CA1C10X

DELIVERY OF RUUKKI

Date	17.10.2019	Rev. date	21.11.2019	Work nr.	Drw. nr.	Rev.
Drawn by	Ruukki	Rev.	P03		S100DT10	b
Scale	1:2.5	Building			File nr.	



- 1. PRIMO SKYLINE 100
- 2. SUPPORT STUD CA1SS1
- 3. SCREW S3H48022D02S4C
- 4. SCREW S3H55022L02S4B 100
- 5. STORM FLASHING CA1ST1X
- 6. EAVES FLASHING

DELIVERY OF RUUKKI