
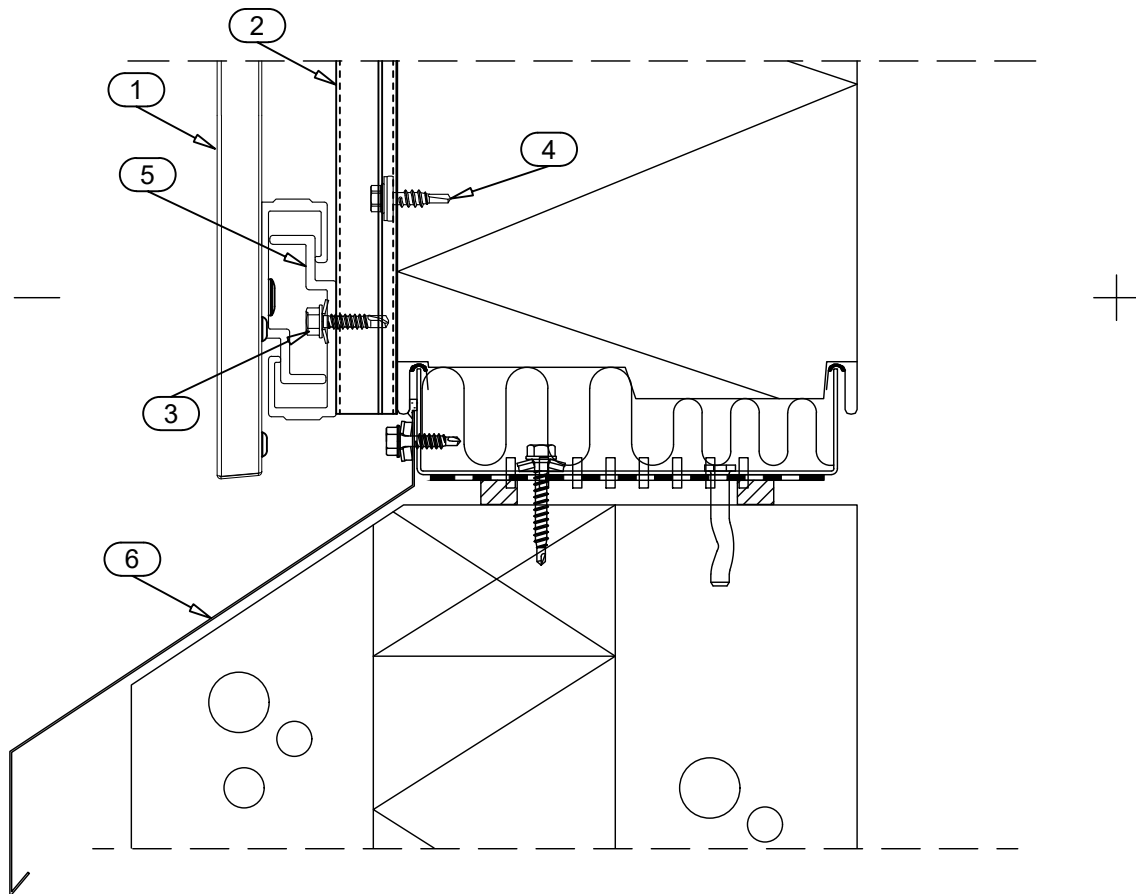


Drw. nr.	Contents of drawing	Date	Rev.	Rev. date
S1000DT01	Plinth, vertical section	21.11.2019	a	-
S1000DT02	Horizontal joint, vertical section	21.11.2019	a	-
S1000DT03	Vertical joint and mid panel, horizontal section	21.11.2019	a	-
S1000DT04	External corner, horizontal section	21.11.2019	b	18.12.2019
S1000DT05	Internal corner, horizontal section	21.11.2019	a	-
S1000DT06	Edges of window, vertical section	21.11.2019	a	-
S1000DT07	Vertical edge of window, horizontal section	21.11.2019	a	-
S1000DT08	Upper edge of door, vertical section	21.11.2019	a	-
S1000DT09	Vertical edge of door, horizontal section	21.11.2019	a	-
S1000DT10	Short eaves, vertical section	21.11.2019	a	-

--	--	--	--	--

City sector	Block	Site/Reg. nr.	File nr.				
Building type		Drawing type			Nr.		
Building, Name and address		Contents of drawing		Scale			
		Primo Skyline 1000					
		Base detail drawings					
Date	22.11.2019	Designer	Ruukki	Work nr.	Work nr.	Drw. nr.	Rev.
Drawn by	Checked						

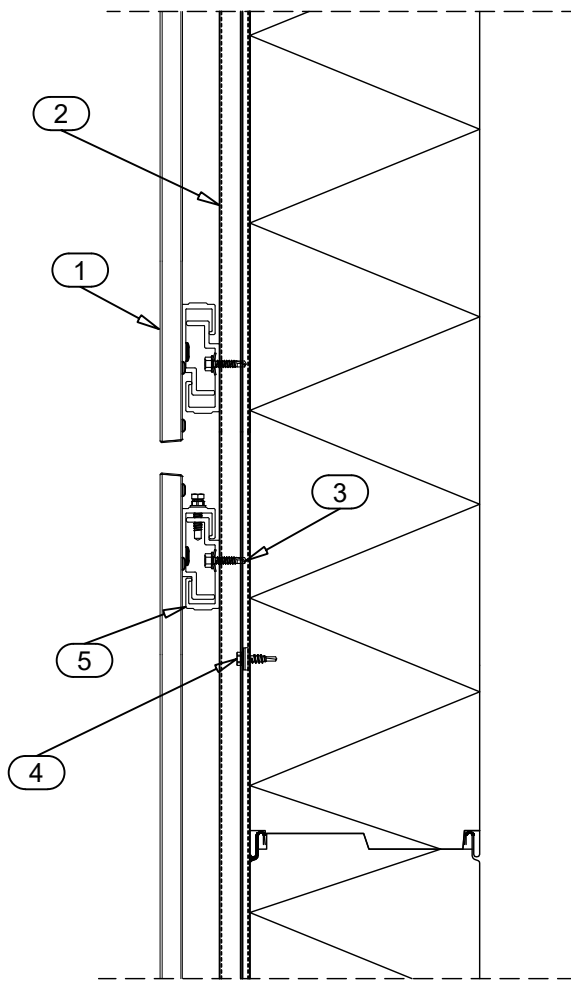
Date	22.11.2019	Rev. date	-	Work nr.	Drw. nr.	Rev.
Drawn by	Ruukki	Rev.	P01		S1000DT01	a
Scale	1:2.5	Building			File nr.	



- 1. PRIMO SKYLINE 1000
- 2. SUPPORT STUD CA1SS1
- 3. SCREW S3H48022D02S4C
- 4. SCREW S3H55022L02S4B 100
- 5. SUPPORT BRACKET CA1APM
- 6. PLINTH FLASHING

DELIVERY OF RUUKKI

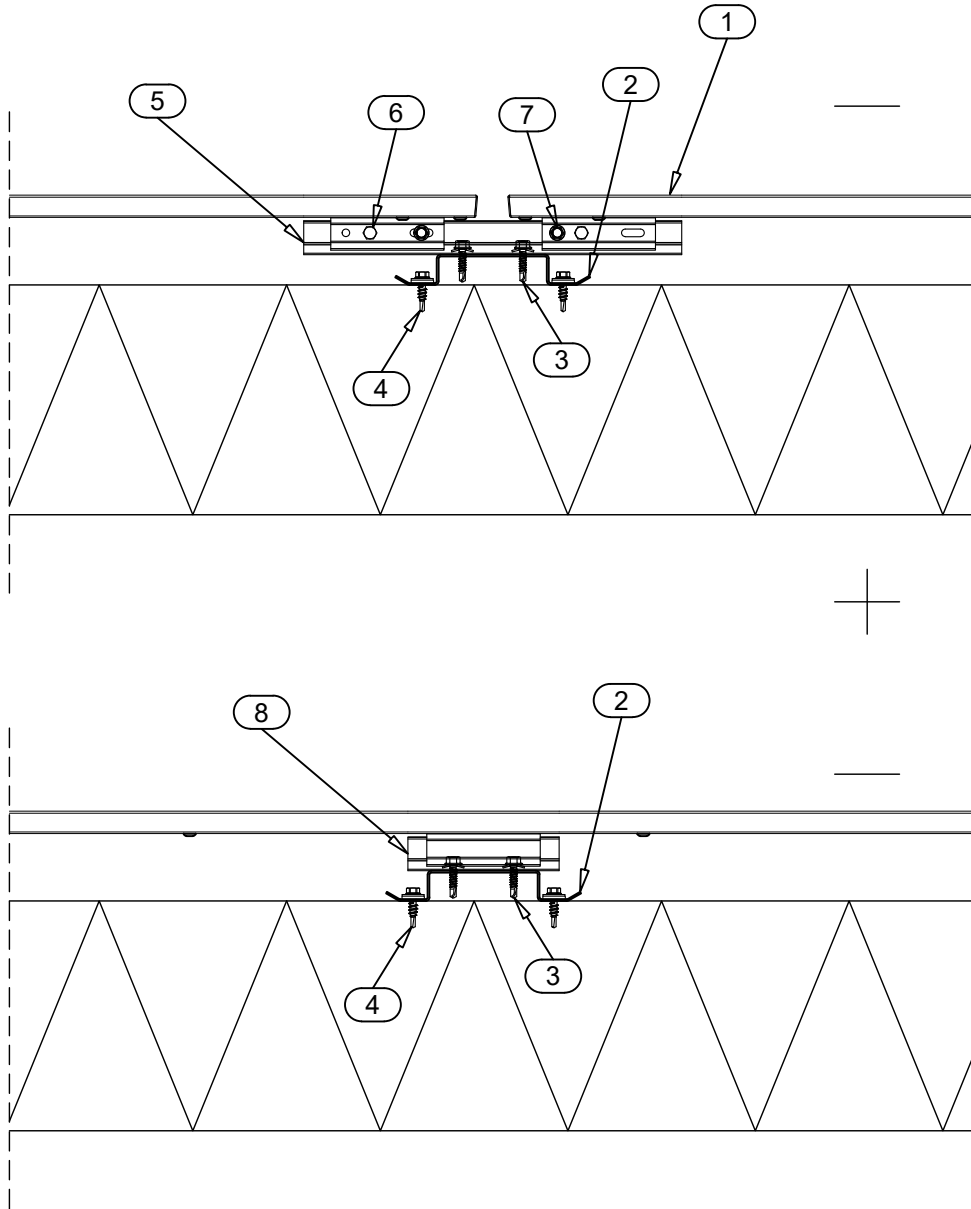
Date	22.11.2019	Rev. date	-	Work nr.		Drw. nr.	S1000DT02	Rev.	a
Drawn by	Ruukki	Rev.	P01						
Scale	1:5	Building				File nr.			



- 1. PRIMO SKYLINE 1000
- 2. SUPPORT STUD CA1SS1
- 3. SCREW S3H48022D02S4C
- 4. SCREW S3H55022L02S4B 100
- 5. SUPPORT BRACKET CA1APS

DELIVERY OF RUUKKI

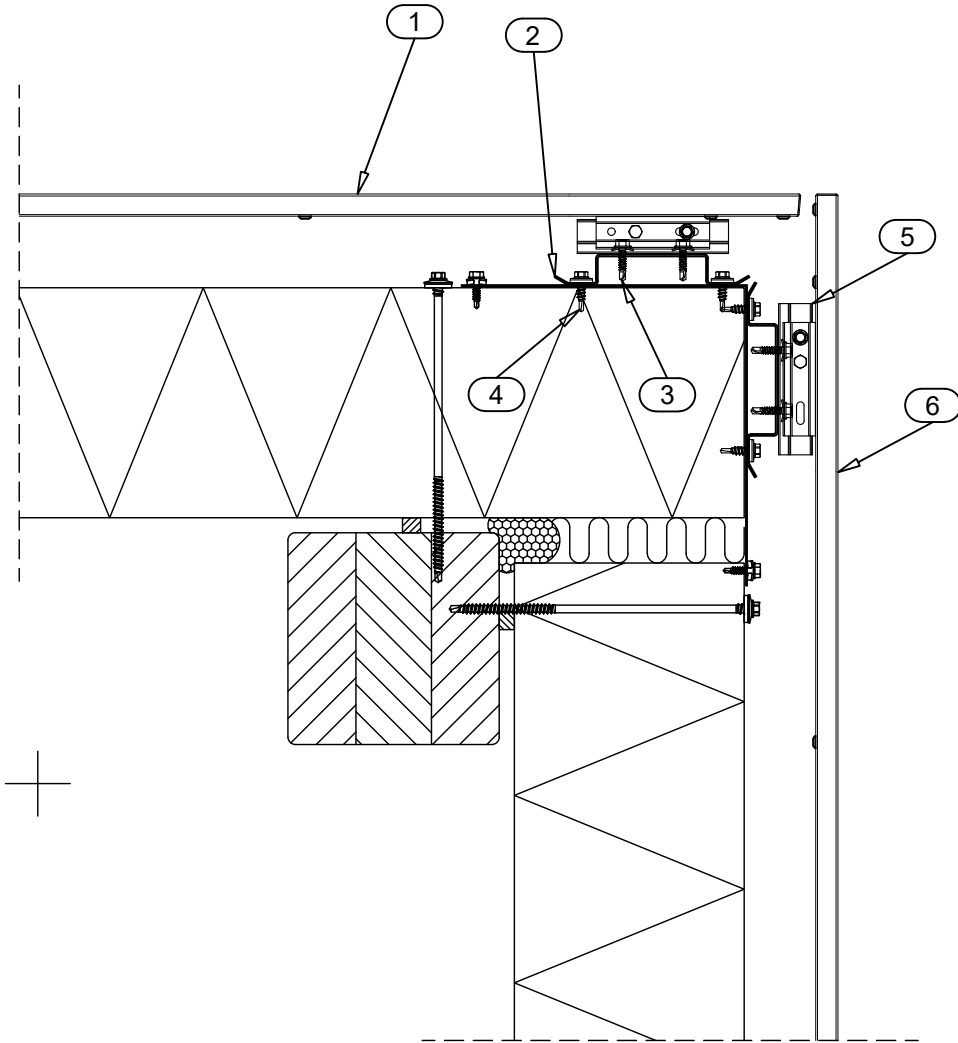
Date	22.11.2019	Rev. date	-	Work nr.		Drw. nr.	S1000DT03	Rev.	a
Drawn by	Ruukki	Rev.	P01						
Scale	1:5	Building				File nr.			



- 1. PRIMO SKYLINE 1000
- 2. SUPPORT STUD CA1SS1
- 3. SCREW S3H48022D02S4C
- 4. SCREW S3H55022L02S4B 100
- 5. SUPPORT BRACKET CA1APL
- 6. SET SCREW
- 7. FASTENING SCREW
- 8. SUPPORT BRACKET CA1APS

DELIVERY OF RUUKKI

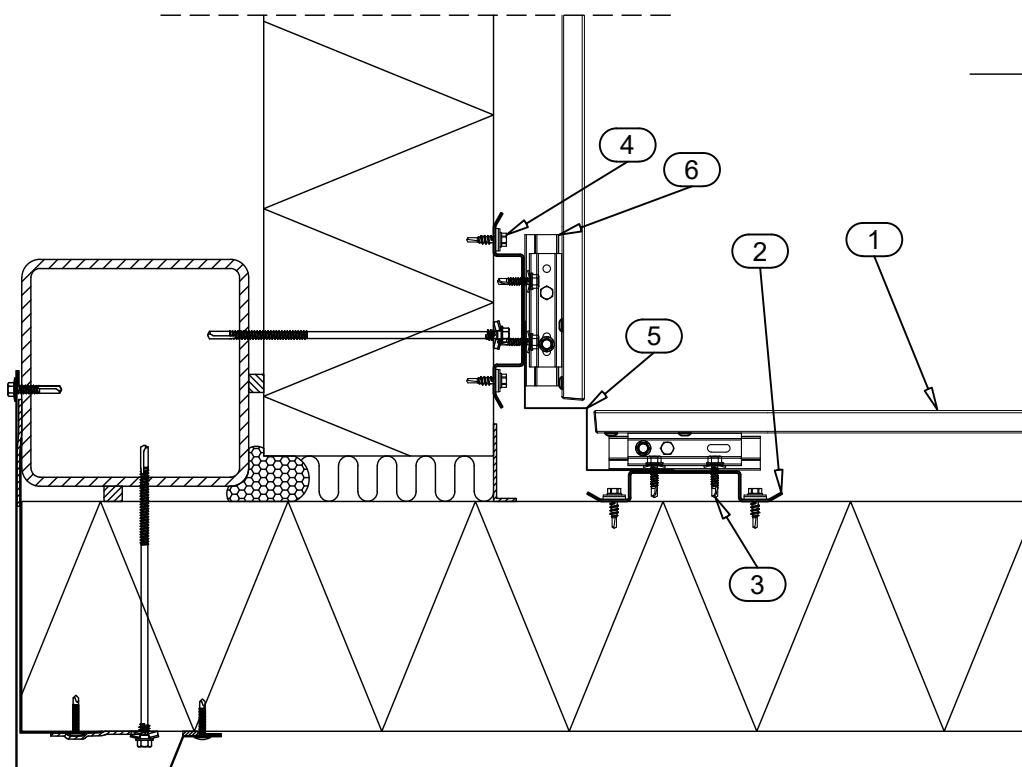
Date	22.11.2019	Rev. date	18.12.2019	Work nr.	Drw. nr.	Rev.
Drawn by	Ruukki	Rev.	P01		S1000DT04	b
Scale	1:5	Building			File nr.	



- 1. PRIMO SKYLINE 1000
- 2. SUPPORT STUD CA1SS1
- 3. SCREW S3H48022D02S4C
- 4. SCREW S3H55022L02S4B 100
- 5. SUPPORT BRACKET CA1APS
- 6. PRIMO SKYLINE 1000 RIGHT CORNER

DELIVERY OF RUUKKI

Date	22.11.2019	Rev. date	-	Work nr.		Draw. nr.	S1000DT05	Rev.	a
Drawn by	Ruukki	Rev.	P01						
Scale	1:5	Building				File nr.			

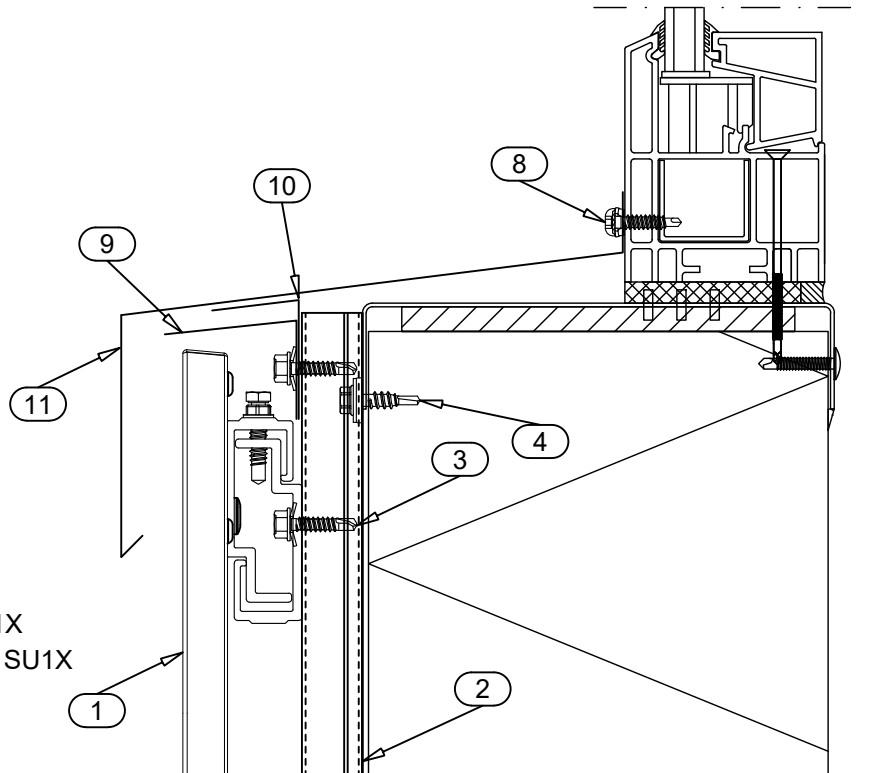
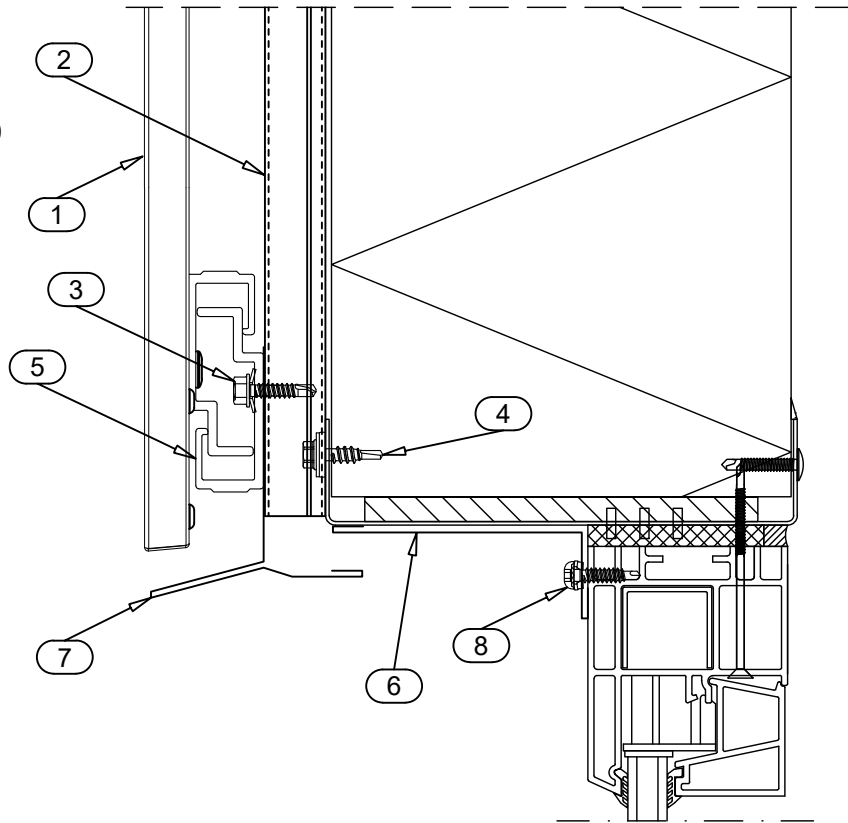


- 1. PRIMO SKYLINE 1000
- 2. SUPPORT STUD CA1SS1
- 3. SCREW S3H48022D02S4C
- 4. SCREW S3H55022L02S4B 100
- 5. INTERNAL CORNER FLASHING CA1IC1X
- 6. SUPPORT BRACKET CA1APS

DELIVERY OF RUUKKI

Date	22.11.2019	Rev. date	-	Work nr.	Drw. nr.	Rev.
Drawn by	Ruukki	Rev.	P01		S1000DT06	a
Scale	1:2.5	Building			File nr.	

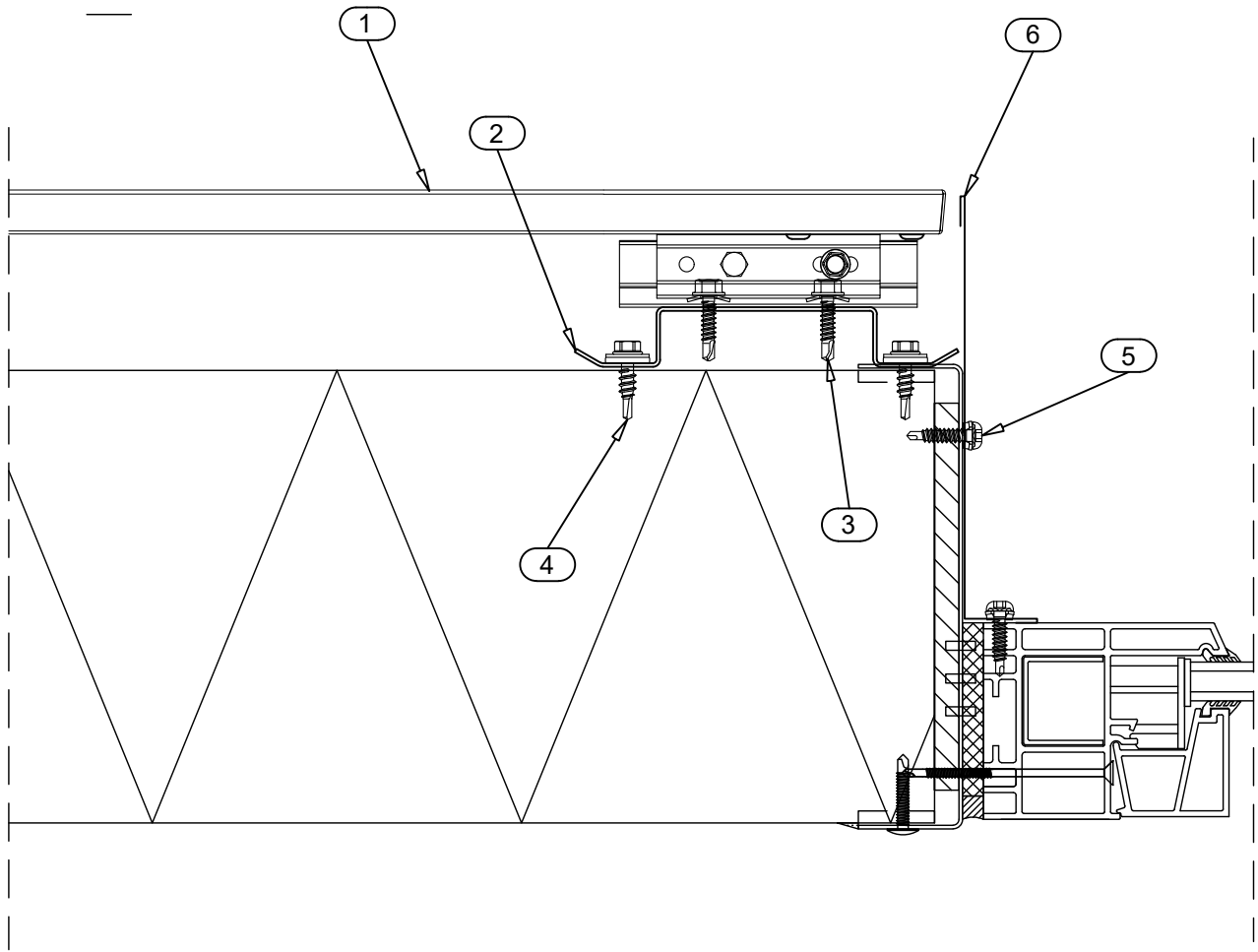
- 1. PRIMO SKYLINE 1000
- 2. SUPPORT STUD CA1SS1
- 3. SCREW S3H48022D02S4C
- 4. SCREW S3H55022L02S4B 100
- 5. STARTING FILLET CA1SF9
- 6. COVER FLASHING CA1C10X
- 7. COVER FLASHING CA1C9X



- 8. SCREW S3R48022D02A0B
- 9. STORM FLASHING CA1ST1X
- 10. SUPPORT FLASHING CA1SU1X
- 11. SILL FLASHING CA1S1X

DELIVERY OF RUUKKI

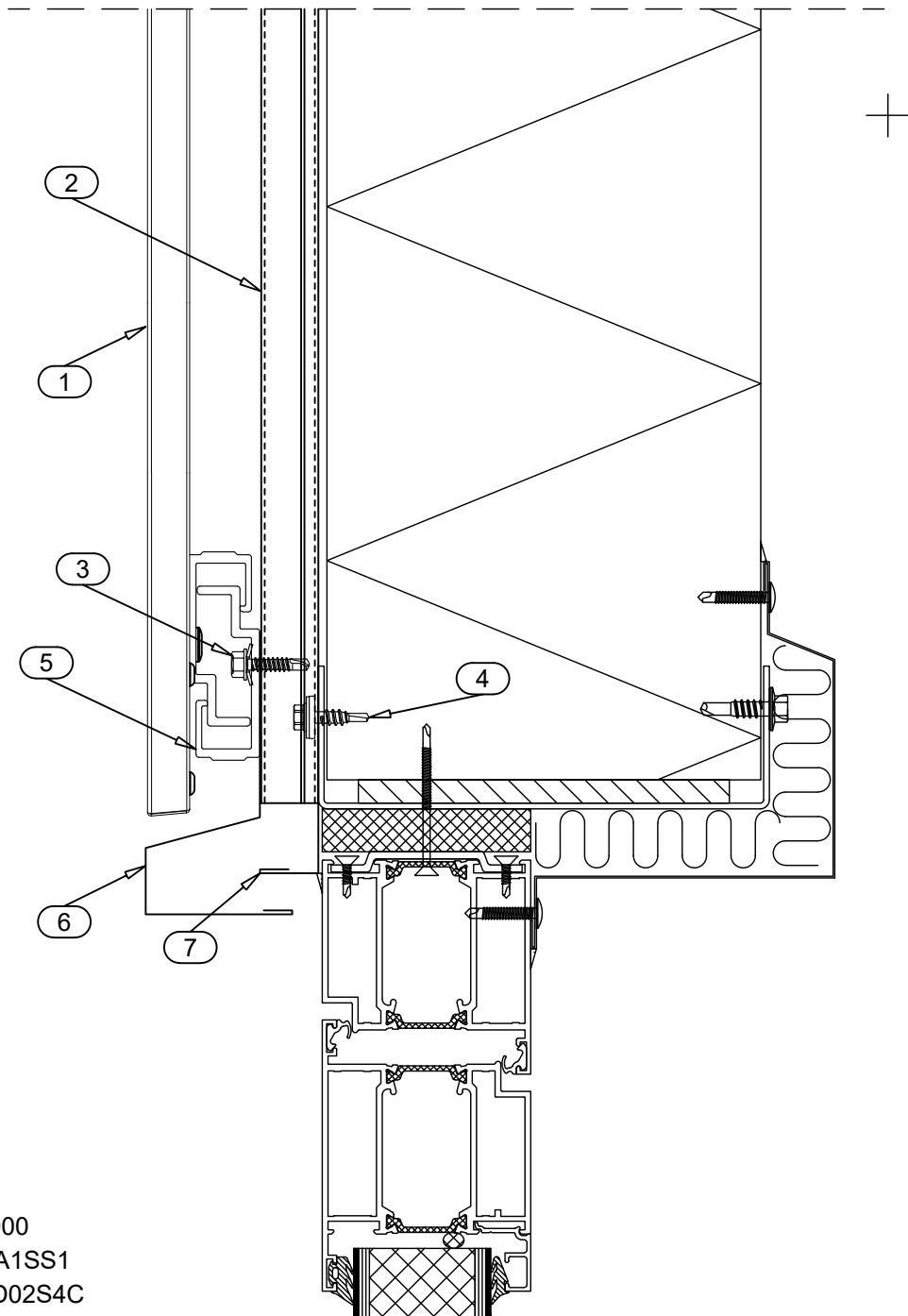
Date	22.11.2019	Rev. date	-	Work nr.		Drw. nr.	S1000DT07	Rev.	a
Drawn by	Ruukki	Rev.	P01						
Scale	1:2.5	Building				File nr.			



- 1. PRIMO SKYLINE 1000
- 2. SUPPORT STUD CA1SS1
- 3. SCREW S3H48022D02S4C
- 4. SCREW S3H55022L02S4B 100
- 5. SCREW S3R48022D02A0B 100
- 6. COVER FLASHING CA1C10X

DELIVERY OF RUUKKI

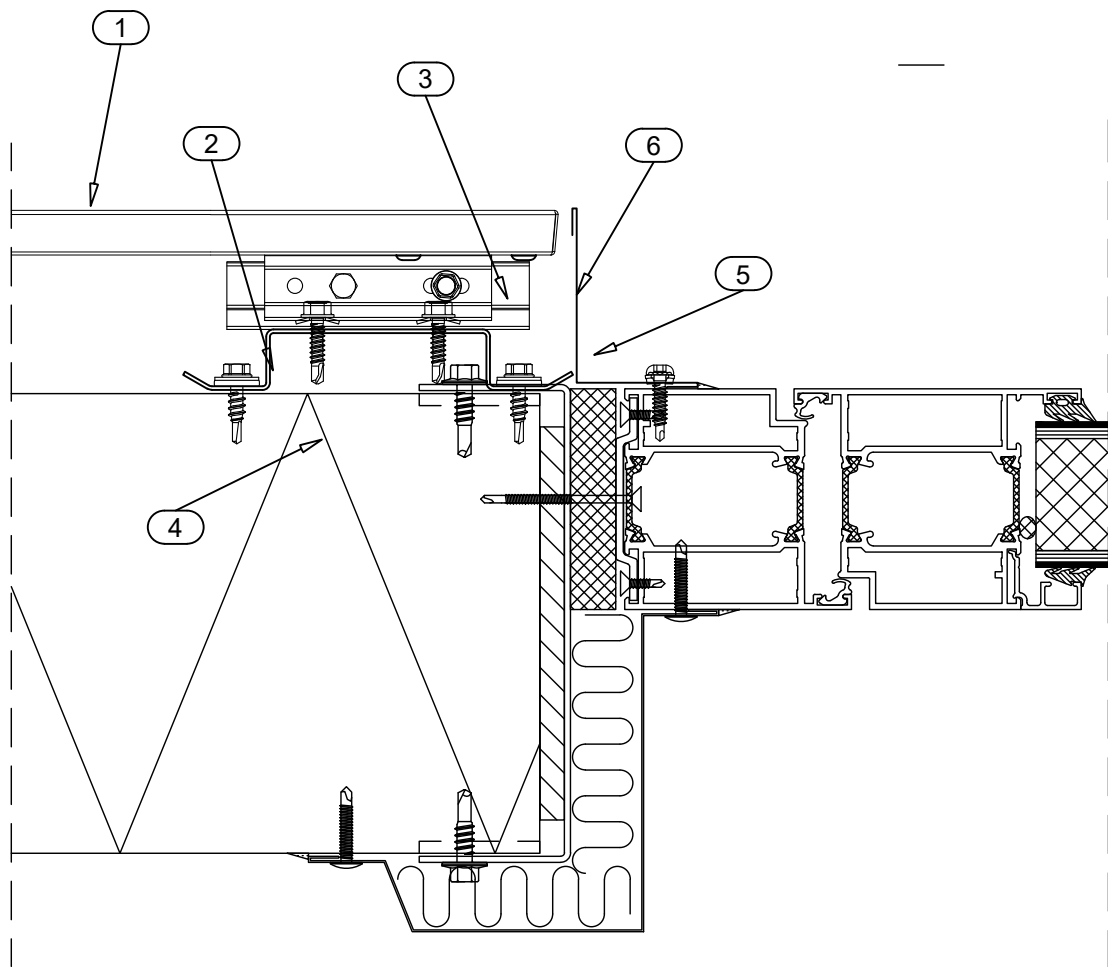
Date	22.11.2019	Rev. date	-	Work nr.	Drw. nr.	Rev.
Drawn by	Ruukki	Rev.	P01		S1000DT08	a
Scale	1:2.5	Building			File nr.	



- 1. PRIMO SKYLINE 1000
- 2. SUPPORT STUD CA1SS1
- 3. SCREW S3H48022D02S4C
- 4. SCREW S3H55022L02S4B 100
- 5. SUPPORT BRACKET CA1APL
- 6. COVER FLASHING CA1C7X
- 7. COVER FLASHING CA1C8X

DELIVERY OF RUUKKI

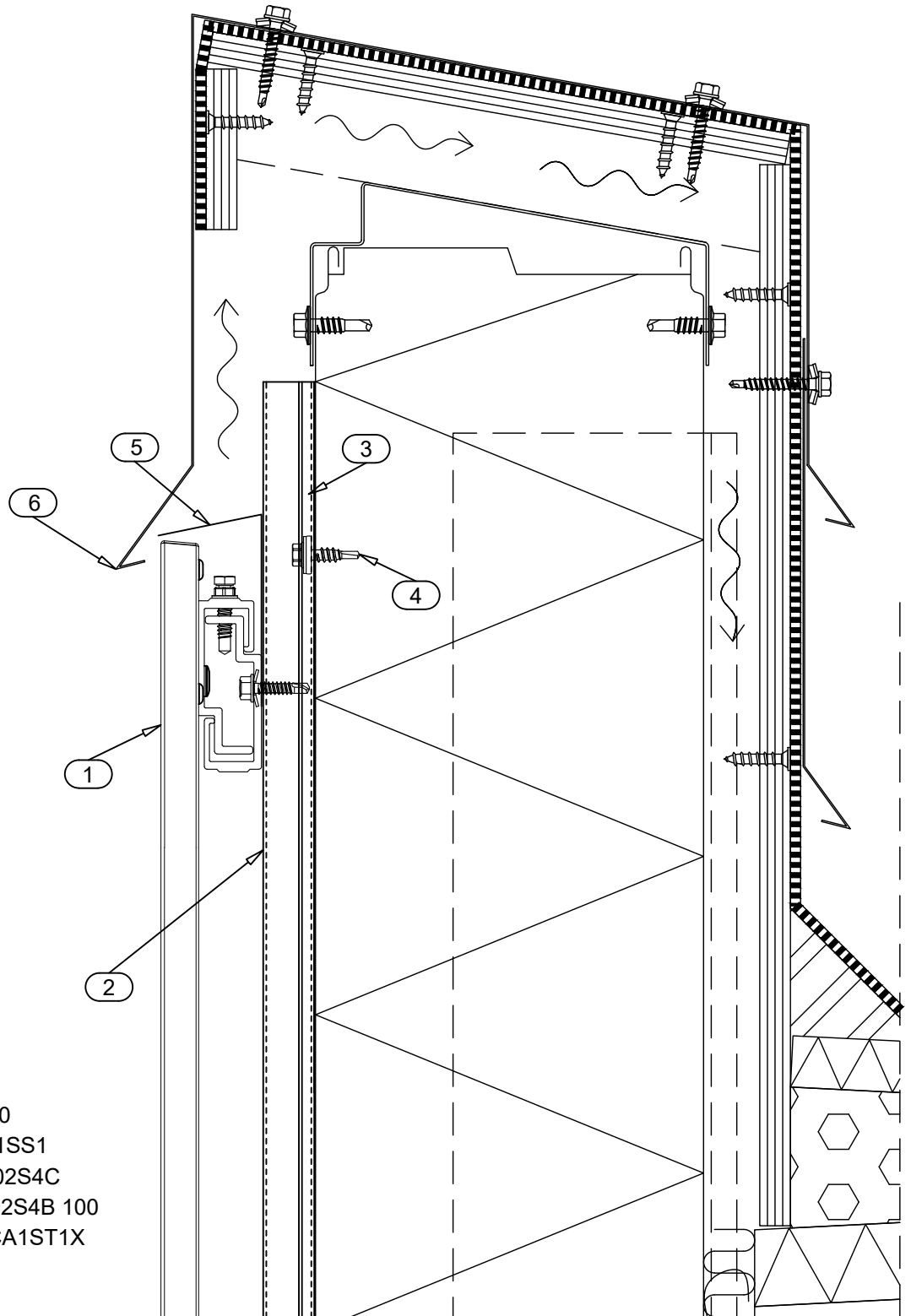
Date	22.11.2019	Rev. date	-	Work nr.	Drw. nr.	Rev.
Drawn by	Ruukki	Rev.	P01		S1000DT9	a
Scale	1:2.5	Building			File nr.	



- 1. PRIMO SKYLINE 1000
- 2. SUPPORT STUD CA1SS1
- 3. SCREW S3H48022D02S4C
- 4. SCREW S3H55022L02S4B 100
- 5. SCREW S3R48022D02A0B 100
- 6. COVER FLASHING CA1C10X

DELIVERY OF RUUKKI

Date	22.11.2019	Rev. date	-	Work nr.		Drw. nr.	S1000DT10	Rev.	a
Drawn by	Ruukki	Rev.	P01						
Scale	1:2.5	Building				File nr.			



- 1. PRIMO SKYLINE 1000
- 2. SUPPORT STUD CA1SS1
- 3. SCREW S3H48022D02S4C
- 4. SCREW S3H55022L02S4B 100
- 5. STORM FLASHING CA1ST1X
- 6. EAVES FLASHING

DELIVERY OF RUUKKI