
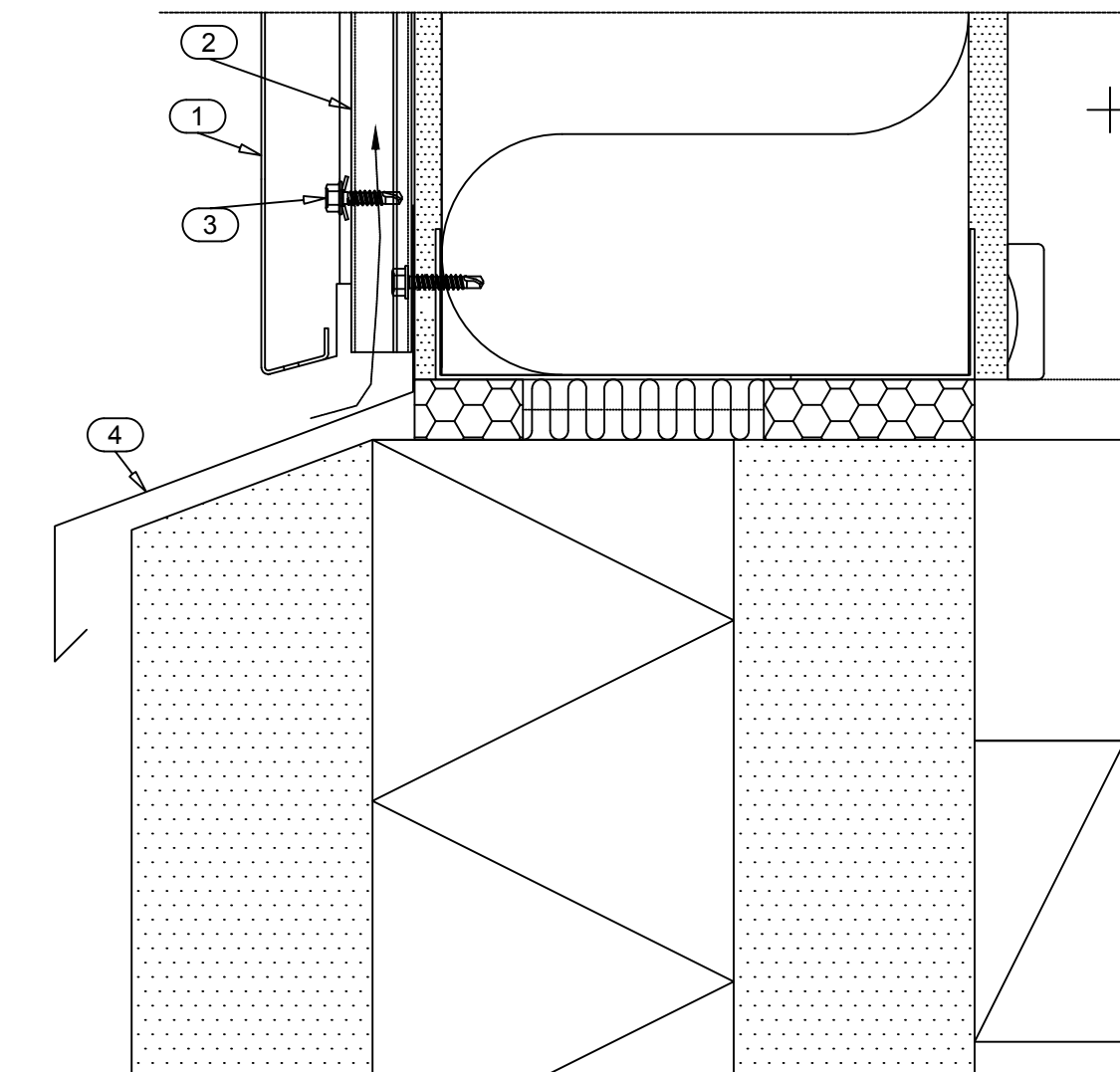


Drw. nr.	Contents of drawing	Date	Rev.	Rev. date
LRSP550DE-1	550 - Plinth	14.03.2019	a	25.03.2019
LRSP550DE-2	550 - Horizontal joint	14.03.2019	a	25.03.2019
LRSP550DE-3	550 - Vertical joint	14.03.2019	a	25.03.2019
LRSP550DE-4	550 - External corner	14.03.2019	a	25.03.2019
LRSP550DE-5	550 - External corner	14.03.2019	a	25.03.2019
LRSP550DE-6	550 - Internal corner	14.03.2019	a	25.03.2019
LRSP550DE-7	550 - Horizontal edges of window	14.03.2019	a	25.03.2019
LRSP550DE-8	550 - Horizontal edge of door	14.03.2019	a	25.03.2019
LRSP550DE-9	550 - Vertical edge of window	14.03.2019	a	25.03.2019
LRSP550DE-10	550 - Vertical edge of door	14.03.2019	a	25.03.2019
LRSP550DE-11	550 - Side eaves	14.03.2019	a	25.03.2019
LRSP550DE-12	550 - Gable eaves	14.03.2019	a	25.03.2019
LRSP550DE-13	550 - Short eaves	14.03.2019	a	25.03.2019
LRSP550DE-14	550 - Adjustable fastener	14.03.2019	a	25.03.2019

--	--	--	--	--

City sector		Block	Site/Reg. nr.	File nr.	
Building type			Drawing type	Nr.	
Building, Name and address			Contents of drawing	Scale	
 Rautaruukki Oyj Vimpelintie 661 FI - 62900 ALAJÄRVI FINLAND tel +358 2059 127 fax +358 2059 27700 www.ruukki.com			Liberta Elegant 550 DETAIL DRAWINGS	1:Z	
			(14 pc)		
Date 14.03.2019	Designer Ruukki	Work nr.	Work nr.	Drw. nr.	Rev.
Drawn by	Checked				

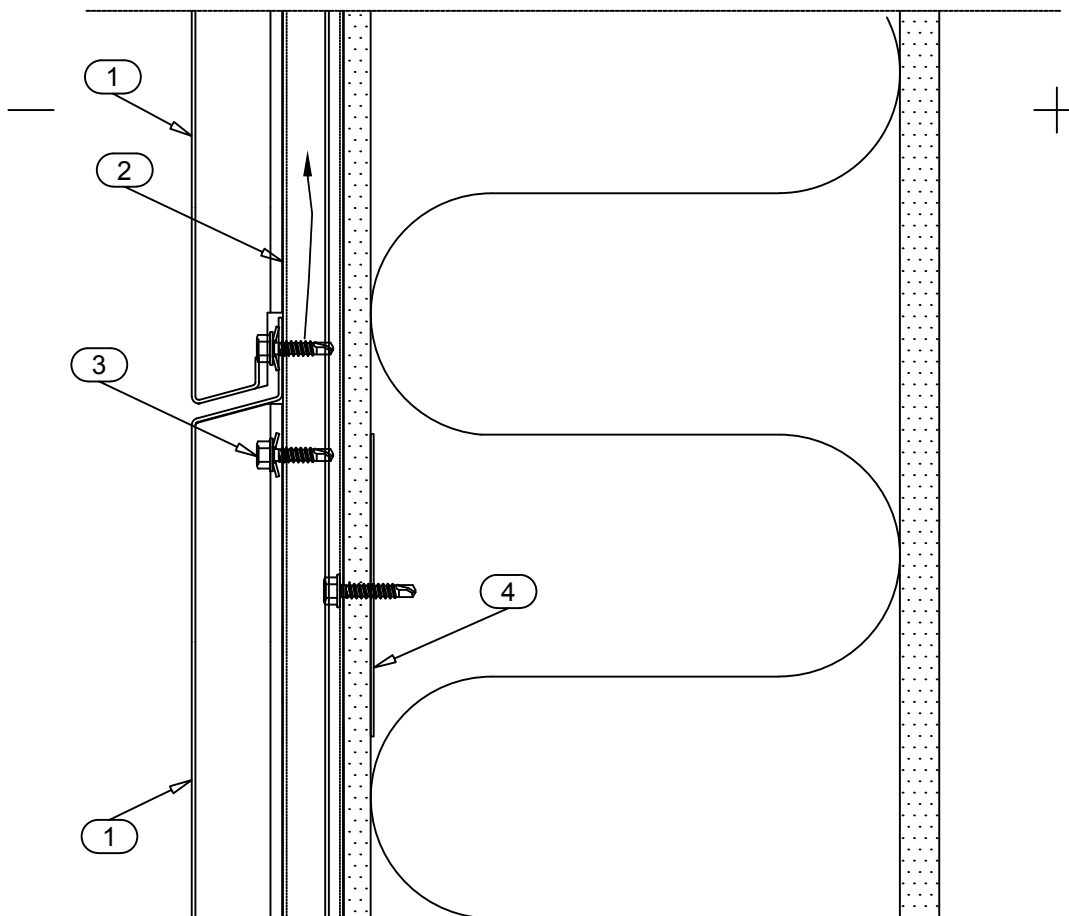
Date 14.03.2019	Rev. date 25.03.2019	Work nr.	Drw. nr. LRSP550DE-1	Rev. a
Drawn by Ruukki	Model Rev. F01			
Scale 1:2.5	Building		File nr.	



- 1. LIBERTA ELEGANT 550
- 2. SUPPORT STUD CA1SS1
- 3. SCREW S3H48022D02S4C
- 4. PLINTH FLASHING CA1P1X

DELIVERY OF RUUKKI

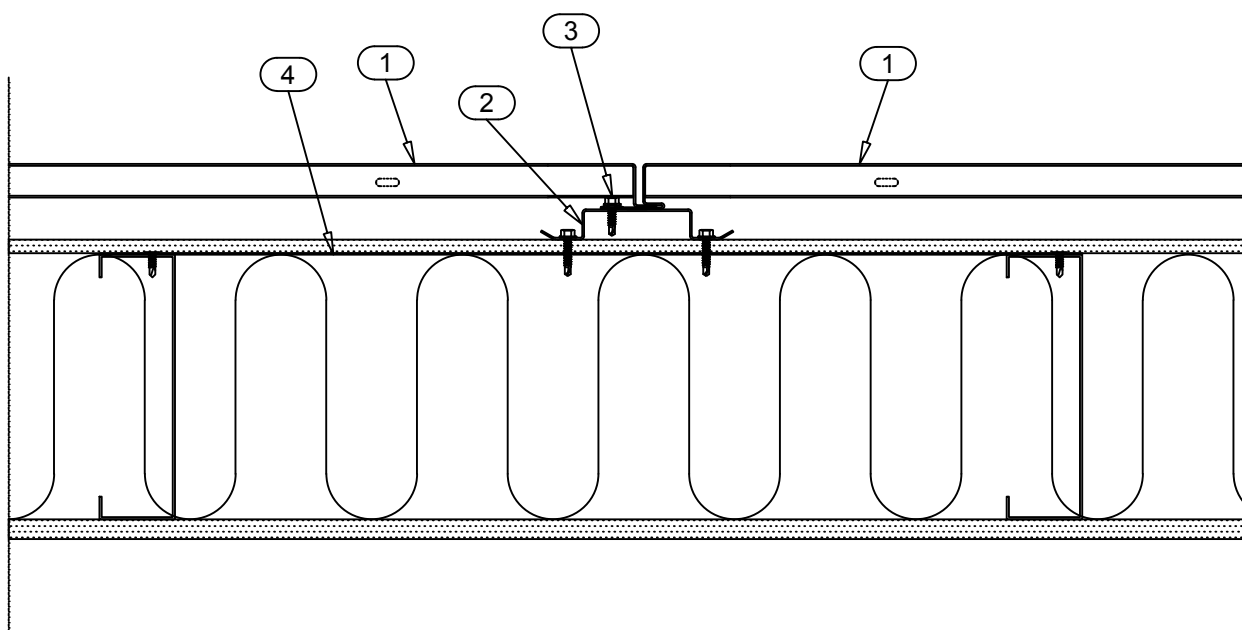
Date 14.03.2019	Rev. date 25.03.2019	Work nr.	Draw. nr. LRSP550DE-2	Rev. a
Drawn by Ruukki	Model Rev. F01			
Scale 1:2.5	Building		File nr.	



- 1. LIBERTA ELEGANT 550
- 2. SUPPORT STUD CA1SS1
- 3. SCREW S3H48020D02S4C
- 4. HORIZONTAL BRACE STRIP (for fastening studs)

- DELIVERY OF RUUKKI

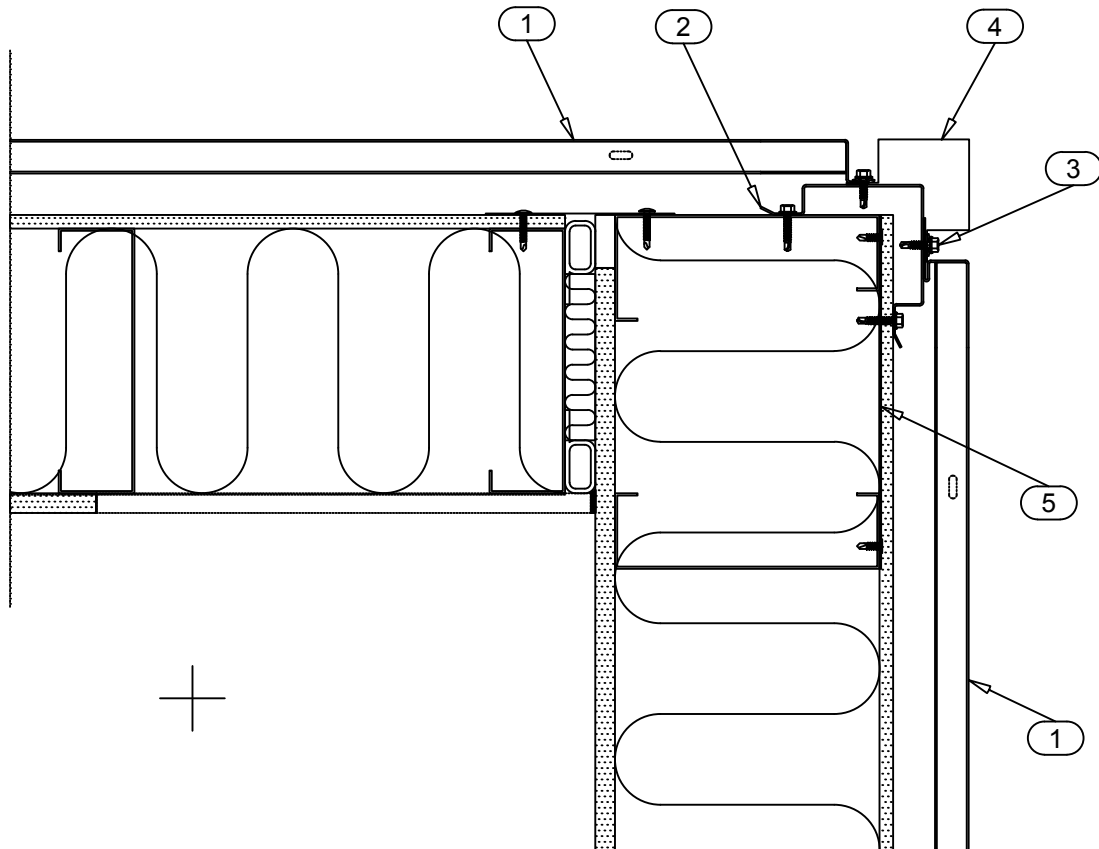
Date 14.03.2019	Rev. date 25.03.2019	Work nr.	Drw. nr. LRSP550DE-3	Rev. a
Drawn by Ruukki	Model Rev. F01			
Scale 1:5	Building	File nr.		



- 1. LIBERTA ELEGANT 550
- 2. SUPPORT STUD CA1SS1
- 3. SCREW S3H48022D02S4C
- 4. HORIZONTAL BRACE STRIP (for fastening studs)

- DELIVERY OF RUUKKI

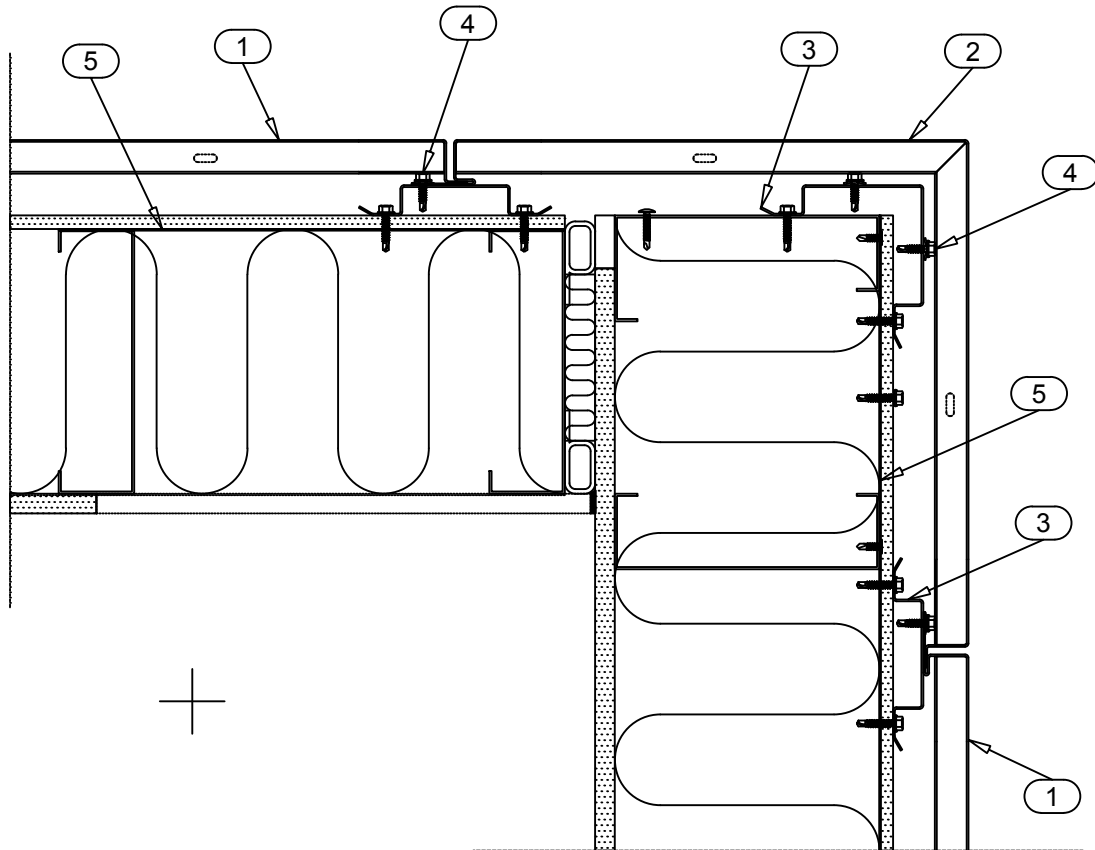
Date 14.03.2019	Rev. date 25.03.2019	Work nr.	Draw. nr. LRSP550DE-4	Rev. a
Drawn by Ruukki	Model Rev. F01			
Scale 1:5	Building	File nr.		



- 1. LIBERTA ELEGANT 550
- 2. SUPPORT STUD CORNER CA1SSC1
- 3. SCREW S3H48022D02S4C
- 4. EXTERNAL CORNER FLASHING CA1EC10X
- 5. HORIZONTAL BRACE STRIP (for fastening studs)

- DELIVERY OF RUUKKI

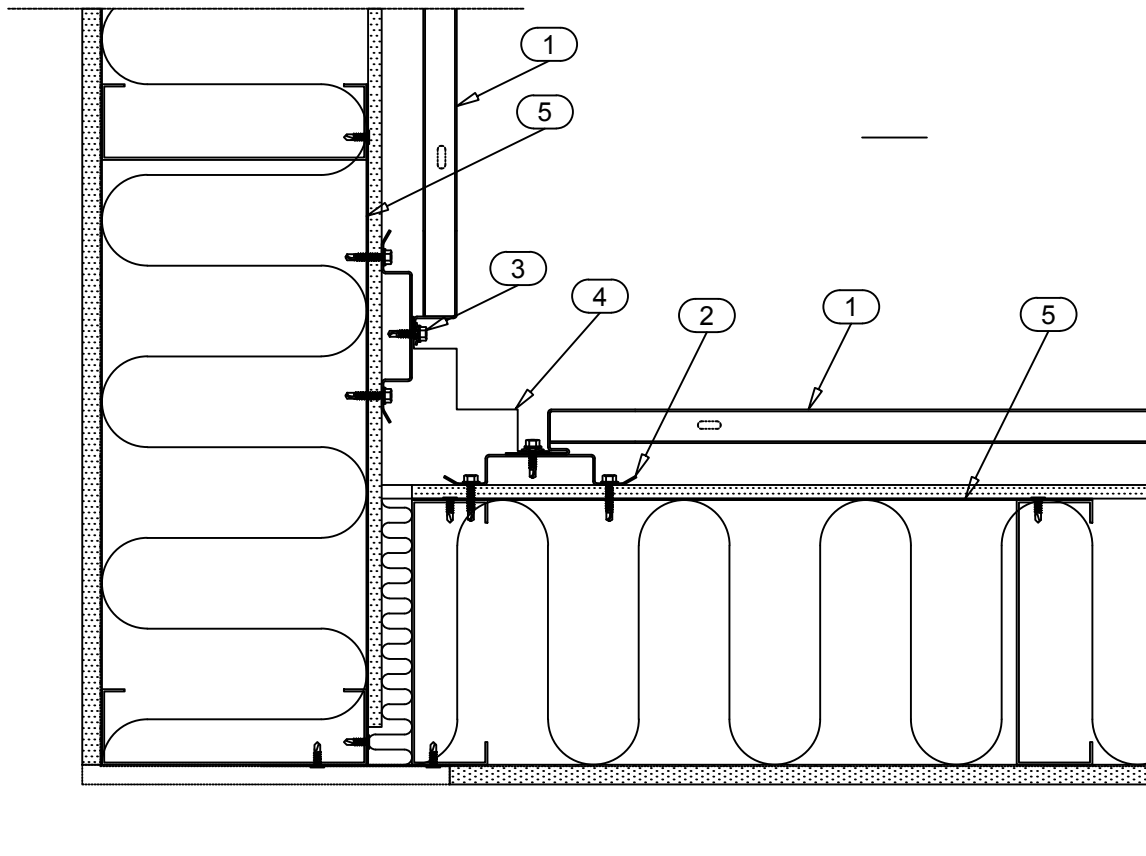
Date 14.03.2019	Rev. date 25.03.2019	Work nr.	Drw. nr. LRSP550DE-5	Rev. a
Drawn by Ruukki	Model Rev. F01			
Scale 1:5	Building		File nr.	



- 1. LIBERTA ELEGANT 550
- 2. LIBERTA ELEGANT 550, CORNER PANEL
- 3. SUPPORT STUD CORNER CA1SSC1
- 4. SCREW S3H48022D02S4C
- 5. HORIZONTAL BRACE STRIP (for fastening studs)

- DELIVERY OF RUUKKI

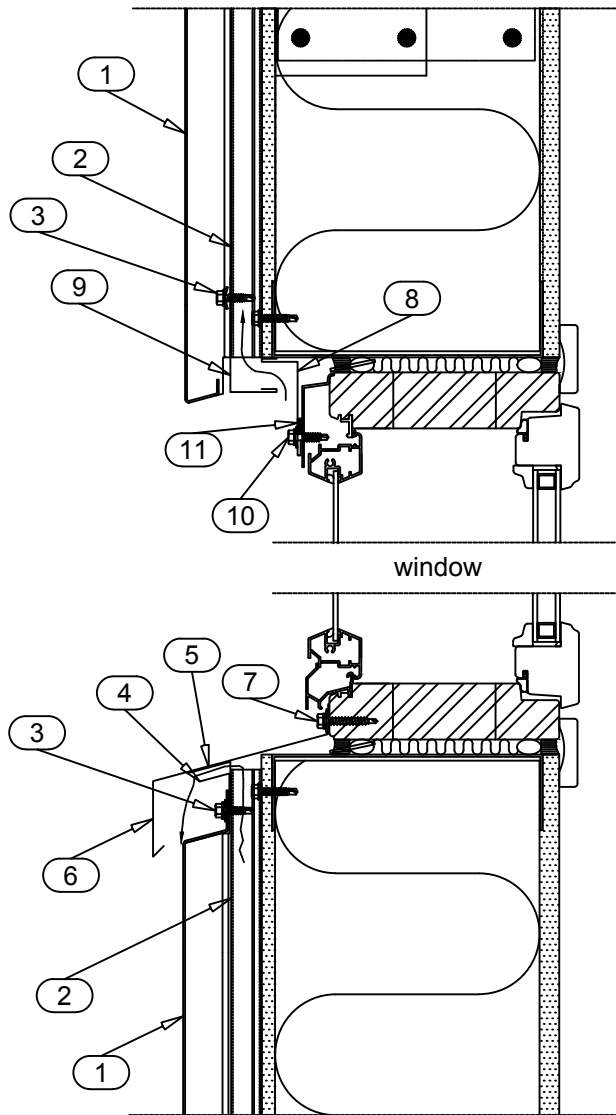
Date 14.03.2019	Rev. date 25.03.2019	Work nr.	Drw. nr. LRSP550DE-6	Rev. a
Drawn by Ruukki	Model Rev. F01			
Scale 1:5	Building		File nr.	



- 1. LIBERTA ELEGANT 550
- 2. SUPPORT STUD CA1SS1
- 3. SCREW S3H48022D02S4C
- 4. INTERNAL CORNER FLASHING CA1IC8X
- 5. HORIZONTAL BRACE STRIP (for fastening studs)

- DELIVERY OF RUUKKI

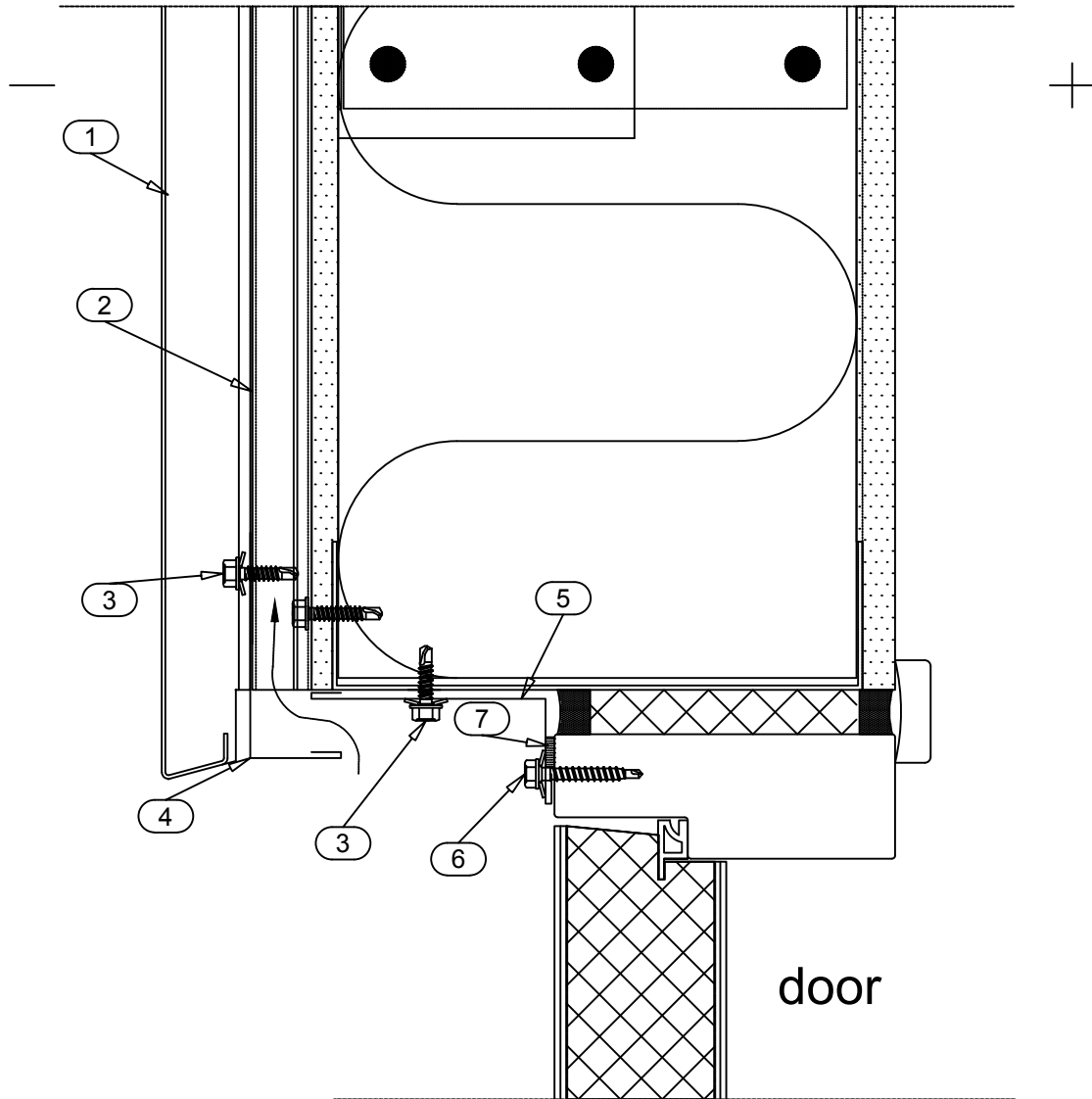
Date	14.03.2019	Rev. date	25.03.2019	Work nr.	Drw. nr.	Rev.
Drawn by	Ruukki	Model Rev.	F01		LRSP550DE-7	a
Scale	1:5	Building			File nr.	



- | | |
|--|---|
| <input type="checkbox"/> 1. LIBERTA ELEGANT 550 | <input type="checkbox"/> 7. SCREW S3H48035W0S4C |
| <input type="checkbox"/> 2. SUPPORT STUD CA1SS1 | <input type="checkbox"/> 8. COVER FLASHING CA1C10X |
| <input type="checkbox"/> 3. SCREW S3H48022D02S4C | <input type="checkbox"/> 9. COVER FLASHING CA1C8X |
| <input type="checkbox"/> 4. STORM FLASHING CA1ST1X | <input type="checkbox"/> 10. SCREW S3H55022L02A4 |
| <input type="checkbox"/> 5. SUPPORT FLASHING CA1SU1X | <input type="checkbox"/> 11. SEALING STRIP EA3SS410 |
| <input type="checkbox"/> 6. SILL FLASHING CA1S1X | |

DELIVERY OF RUUKKI

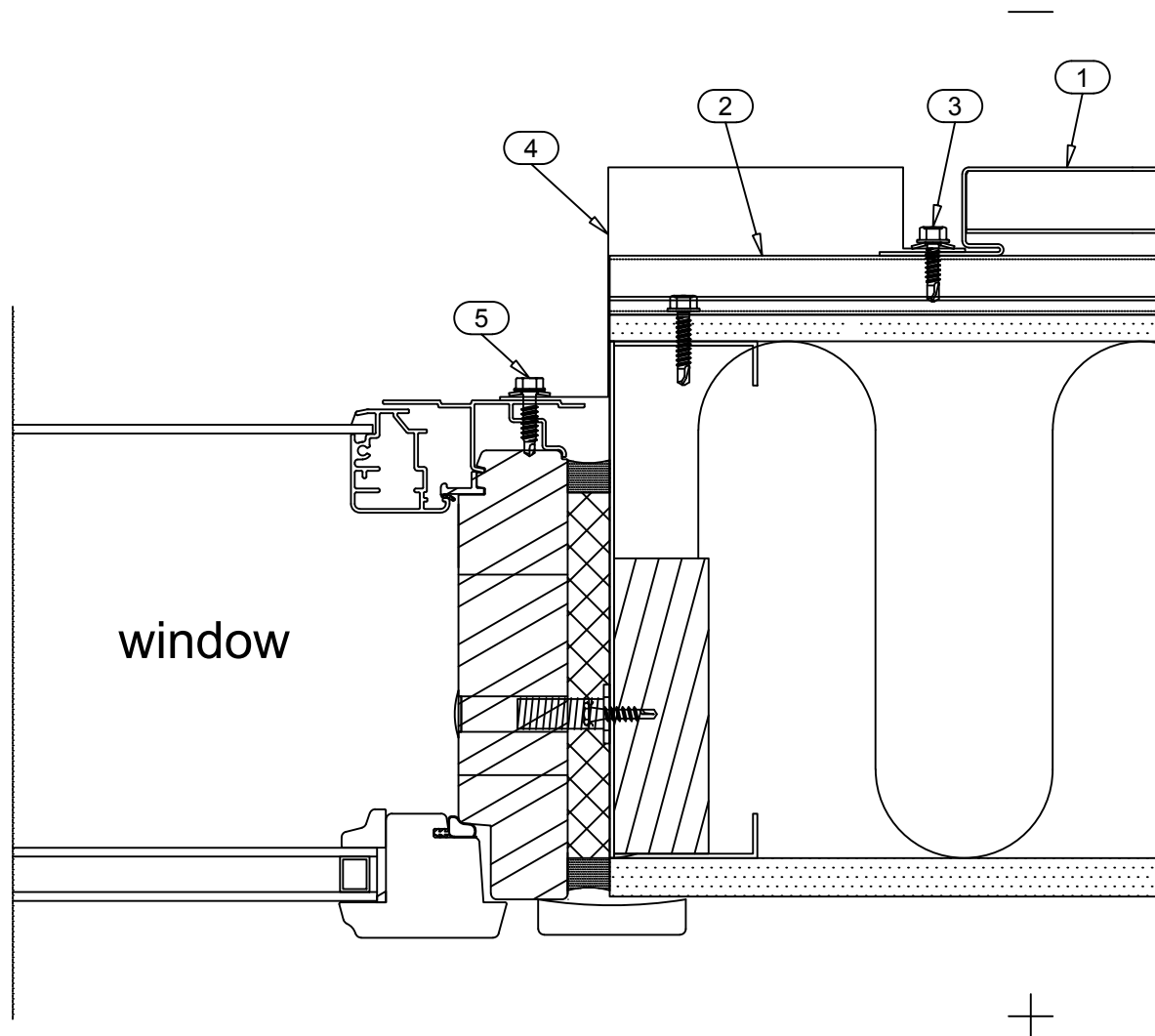
Date	14.03.2019	Rev. date	25.03.2019	Work nr.	Drw. nr.	Rev.
Drawn by	Ruukki	Model Rev.	F01		LRSP550DE-8	a
Scale	1:2.5	Building			File nr.	



- 1. LIBERTA ELEGANT 550
- 2. SUPPORT STUD CA1SS1
- 3. SCREW S3H48022D02S4C
- 4. COVER FLASHING CA1C10X
- 5. COVER FLASHING CA1C8X
- 6. SCREW S3H48035W0S4C
- 7. SEALING STRIP EA3SS410

DELIVERY OF RUUKKI

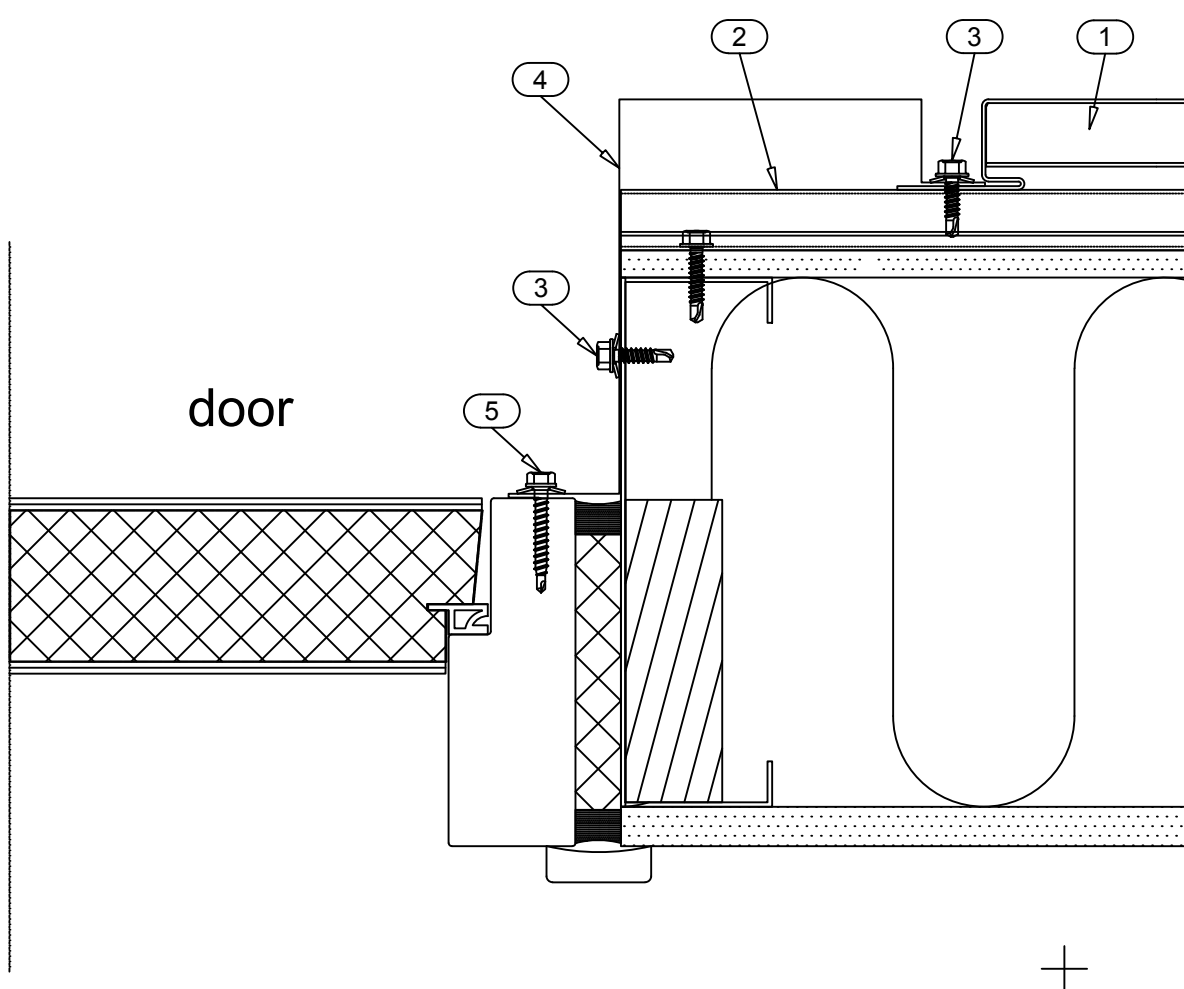
Date 14.03.2019	Rev. date 25.03.2019	Work nr.	Drw. nr. LRSP550DE-9	Rev. a
Drawn by Ruukki	Model Rev. F01			
Scale 1:2.5	Building		File nr.	



- 1. LIBERTA ELEGANT 550
- 2. SUPPORT STUD CA1SS1
- 3. SCREW S3H48022D02S4C
- 4. COVER FLASHING CA1C6X
- 5. SCREW S3H55022L02A4

DELIVERY OF RUUKKI

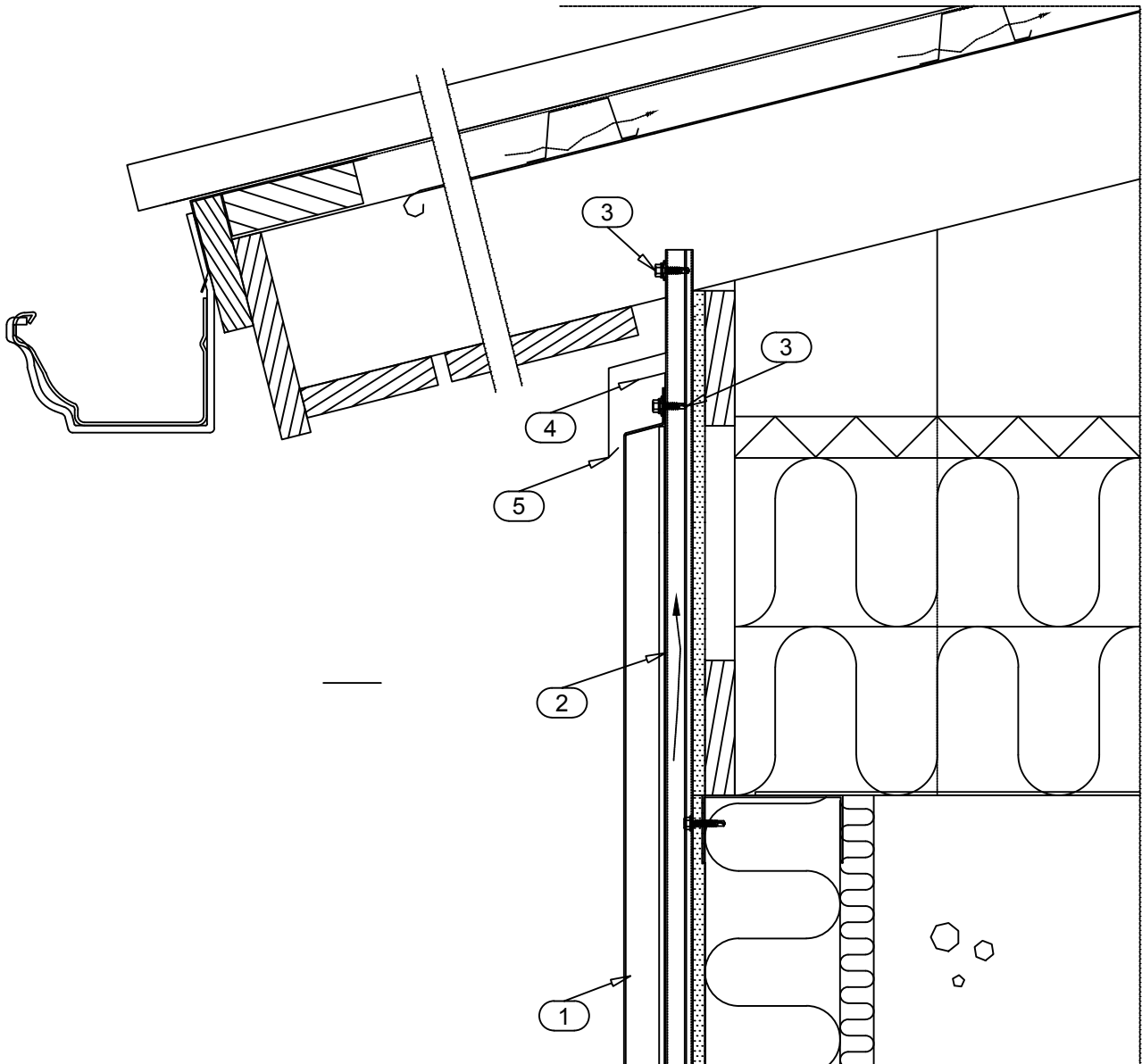
Date	14.03.2019	Rev. date	25.03.2019	Work nr.	Drw. nr.	Rev.
Drawn by	Ruukki	Model Rev.	F01		LRSP550DE-10	a
Scale	1:2.5	Building			File nr.	



- 1. LIBERTA ELEGANT 550
- 2. SUPPORT STUD CA1SS1
- 3. SCREW S3H48022D02S4C
- 4. COVER FLASHING CA1C6X
- 5. SCREW S3H48035WA4

- DELIVERY OF RUUKKI

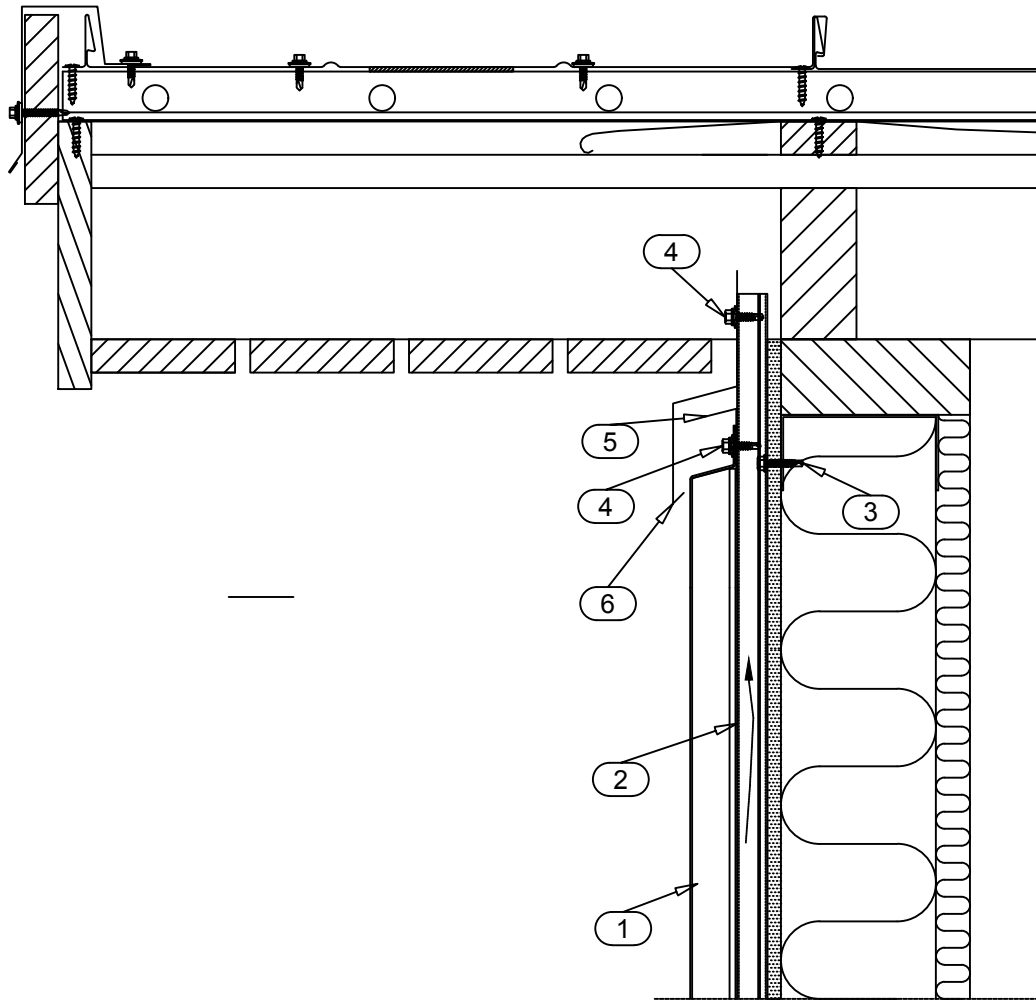
Date	14.03.2019	Rev. date	25.03.2019	Work nr.	Drw. nr.	Rev.
Drawn by	Ruukki	Model Rev.	F01		LRSP550DE-11	a
Scale	1:5	Building			File nr.	



- 1. LIBERTA ELEGANT 550
- 2. SUPPORT STUD CA1SS1
- 3. SCREW S3H48022D02S4C
- 4. STORM FLASHING CA1ST1X
- 5. EAVES FLASHING CA1E1X

DELIVERY OF RUUKKI

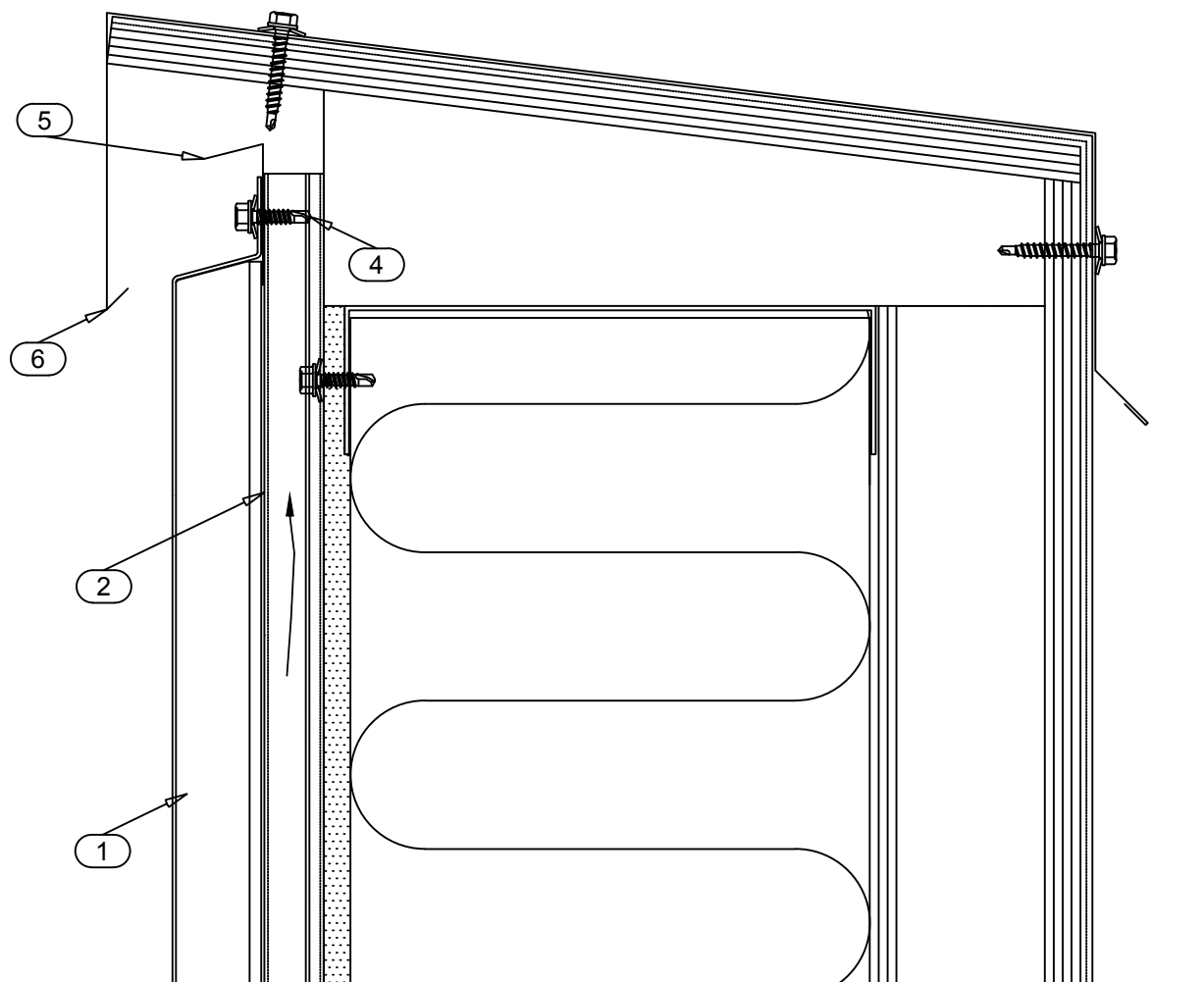
Date 14.03.2019	Rev. date 25.03.2019	Work nr.	Drw. nr. LRSP550DE-12	Rev. a
Drawn by Ruukki	Model Rev. F01			
Scale 1:5	Building	File nr.		



- 1. LIBERTA ELEGANT 550
- 2. SUPPORT STUD CA1SS1
- 3. SCREW S3H48022D02S4C
- 4. STORM FLASHING CA1ST1X
- 5. EAVES FLASHING CA1E1X

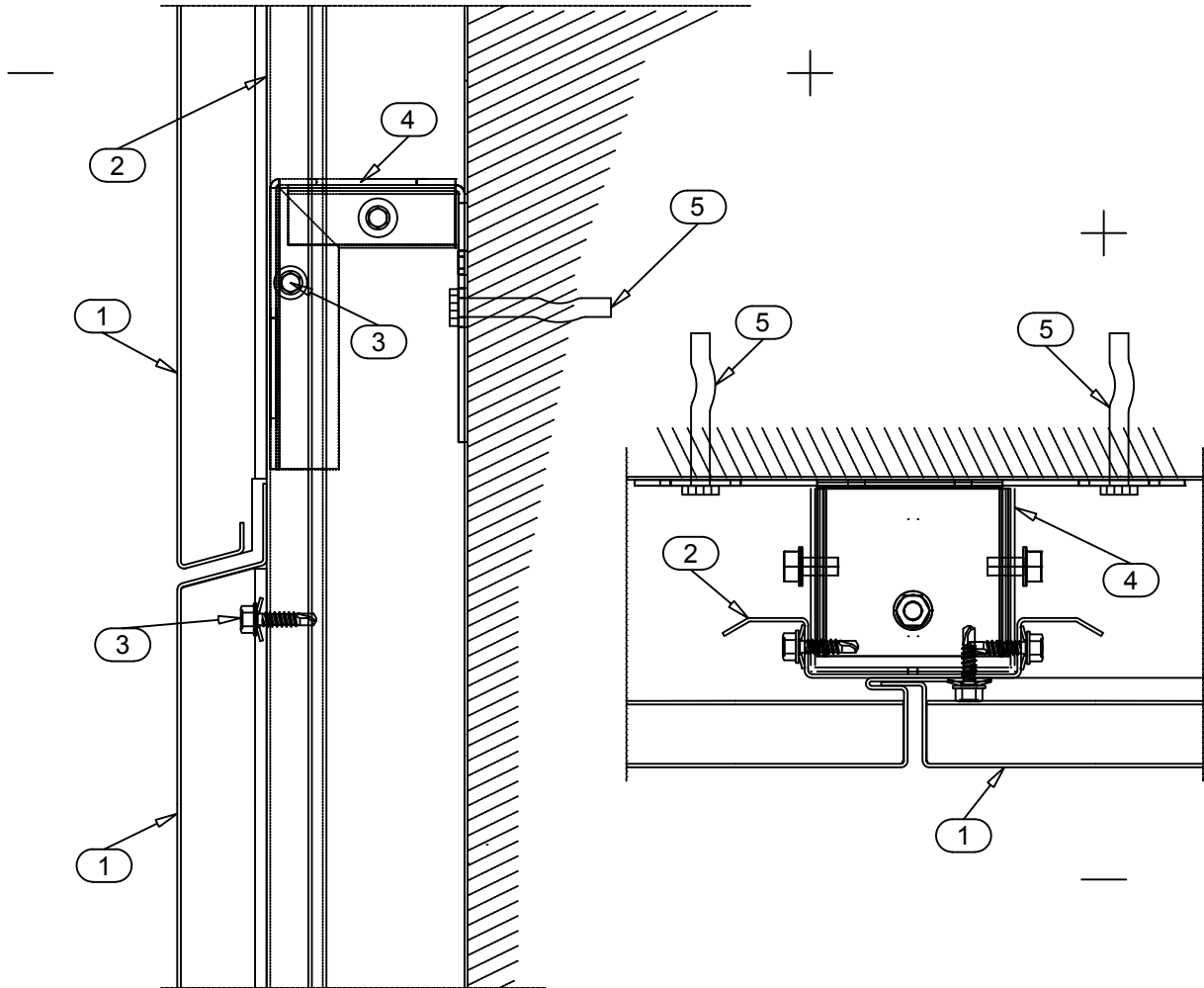
DELIVERY OF RUUKKI

Date	14.03.2019	Rev. date	25.03.2019	Work nr.	Drw. nr.	Rev.
Drawn by	Ruukki	Model Rev.	F01		LRSP550DE-13	a
Scale	1:2.5	Building			File nr.	



- 1. LIBERTA ELEGANT 550
- 2. SUPPORT STUD CA1SS1
- 3. SCREW S3H48022D02S4C
- 4. STORM FLASHING CA1ST1X
- 5. EAVES FLASHING CA1E2X
- DELIVERY OF RUUKKI

Date	14.03.2019	Rev. date	25.03.2019	Work nr.	Drw. nr.	Rev.
Drawn by	Ruukki	Model Rev.	F01		LRSP550DE-14	a
Scale	1:2.5	Building			File nr.	



- 1. LIBERTA ELEGANT 550
- 2. SUPPORT STUD CA1SS1
- 3. SCREW S3H48022D02S4C
- 4. ADJUSTABLE FASTENER CAFRSP
- 5. FASTENER

DELIVERY OF RUUKKI