
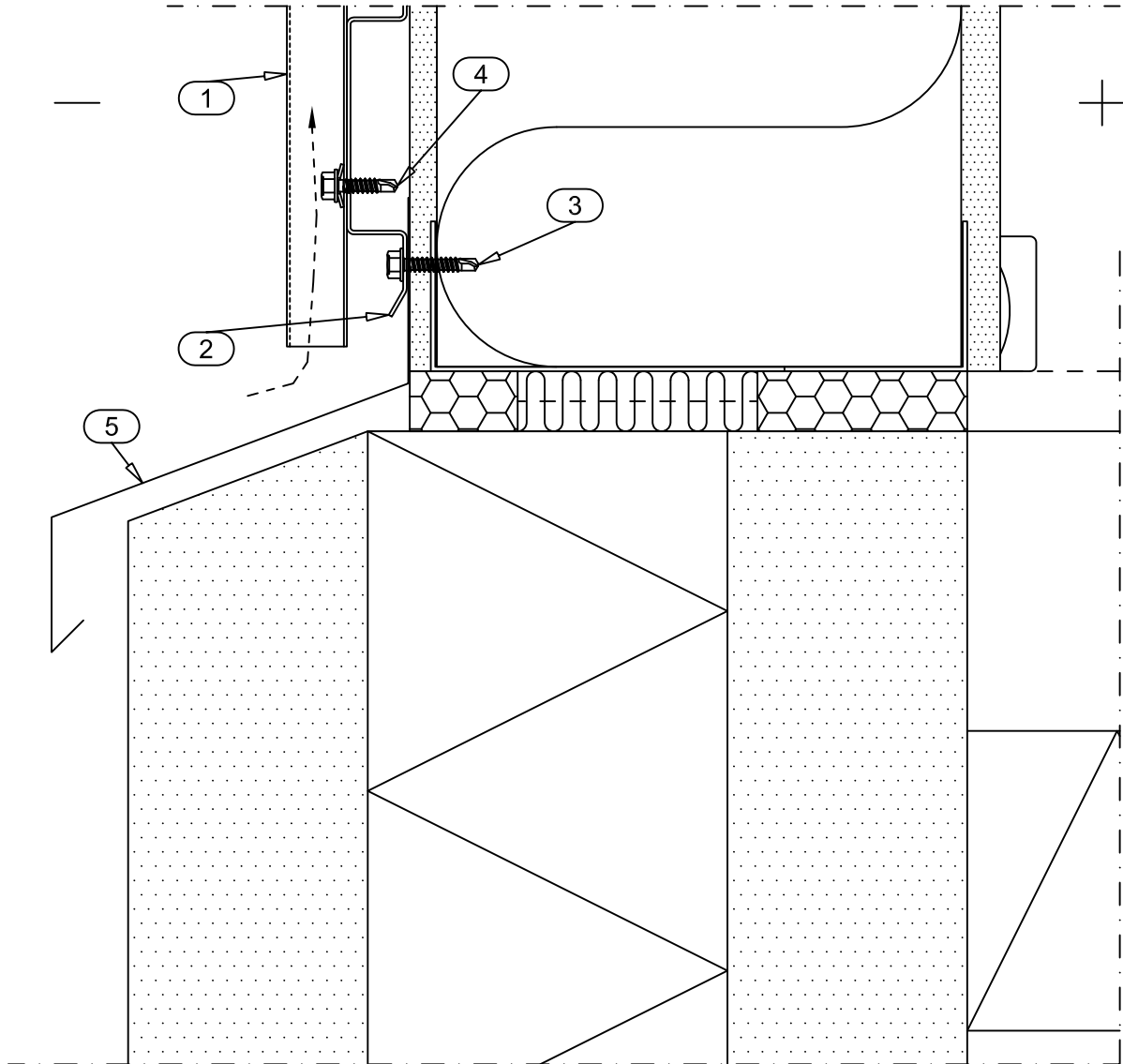


Drw. nr.	Contents of drawing	Date	Rev.	Rev. date
CL70DE-1	Plinth, vertical section	12.08.2011	.	.
CL70DE-2	Horizontal joint, vertical section	12.08.2011	.	.
CL70DE-3	Vertical joint, horizontal section	12.08.2011	.	.
CL70DE-4	External corner, horizontal section	12.08.2011	.	.
CL70DE-5	Internal corner, horizontal section	12.08.2011	.	.
CL70DE-6	Lower edge of window, vertical section	12.08.2011	.	.
CL70DE-7	Upper edge of window, vertical section	12.08.2011	.	.
CL70DE-8	Upper edge of door, vertical section	12.08.2011	.	.
CL70DE-9	Vertical edge of window, horizontal section	12.08.2011	.	.
CL70DE-10	Vertical edge of door, horizontal section	12.08.2011	.	.
CL70DE-11	Side eaves, vertical section	12.08.2011	.	.
CL70DE-12	Gable eaves, vertical section	12.08.2011	.	.
CL70DE-13	Short eaves, vertical section	12.08.2011	.	.

--	--	--	--	--

City sector		Block	Site/Reg. nr.	File nr.	
Building type			Drawing type		Nr.
Building, Name and address			Contents of drawing		Scale
			Lamella vertical 70		
			BASE DETAIL DRAWINGS		
Date 12.08.2011	Designer Ruukki		Work nr.	Work nr.	Drw. nr. Rev.
Drawn by	Checked				

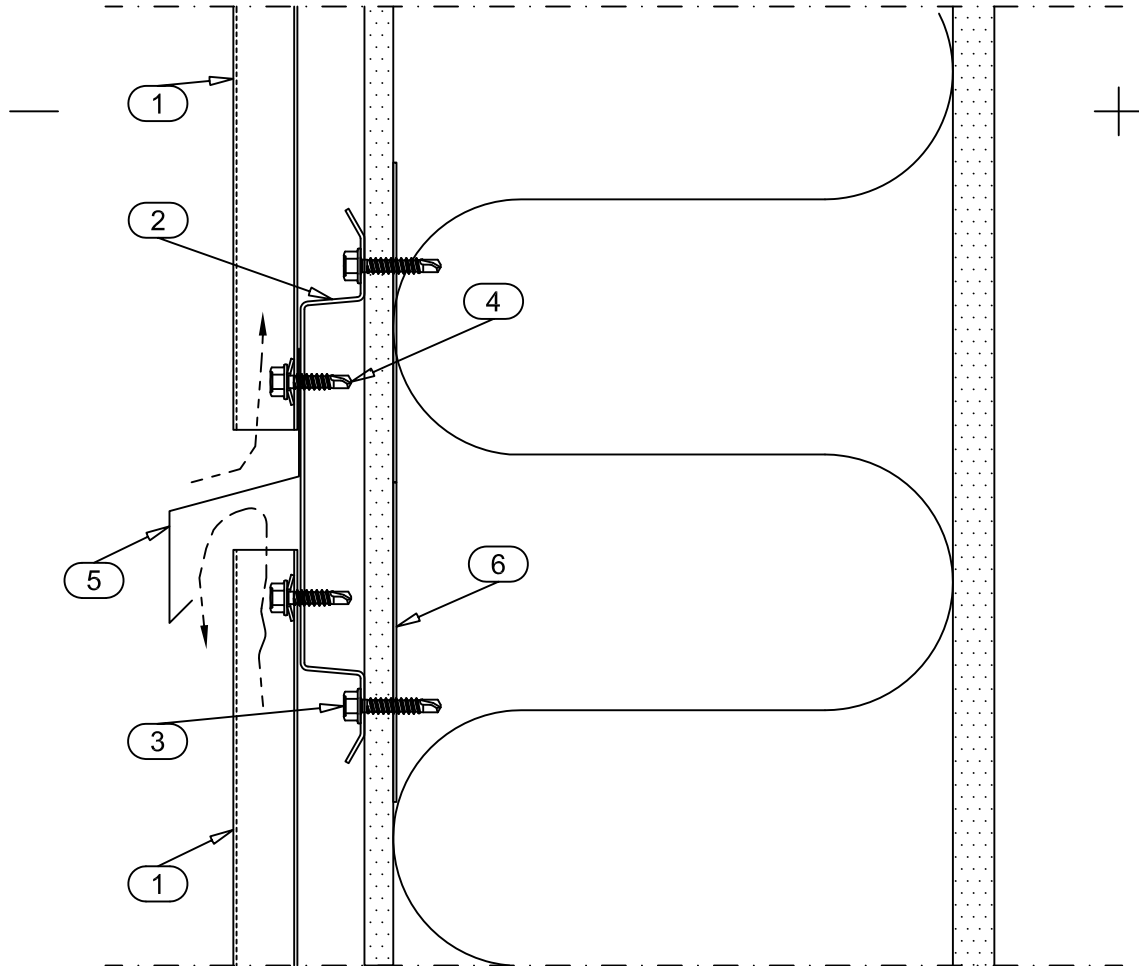
Date 12.08.2011	Rev. date	Work nr.	Drw. nr. CL70DE-1	Rev.
Drawn by Ruukki	Rev.			
Scale 1:2.5	Building		File nr.	



- 1. LAMELLA VERTICAL 70
- 2. SUPPORT STUD CA1SS1
- 3. SCREW S1H48025D03 (SFS intec SD3-4.8x25)
- 4. SCREW S3H48020D03A4 (SFS intec SD3-S-A14-4.8x20)
- 5. PLINTH FLASHING CA1P1X

DELIVERY OF RUUKKI

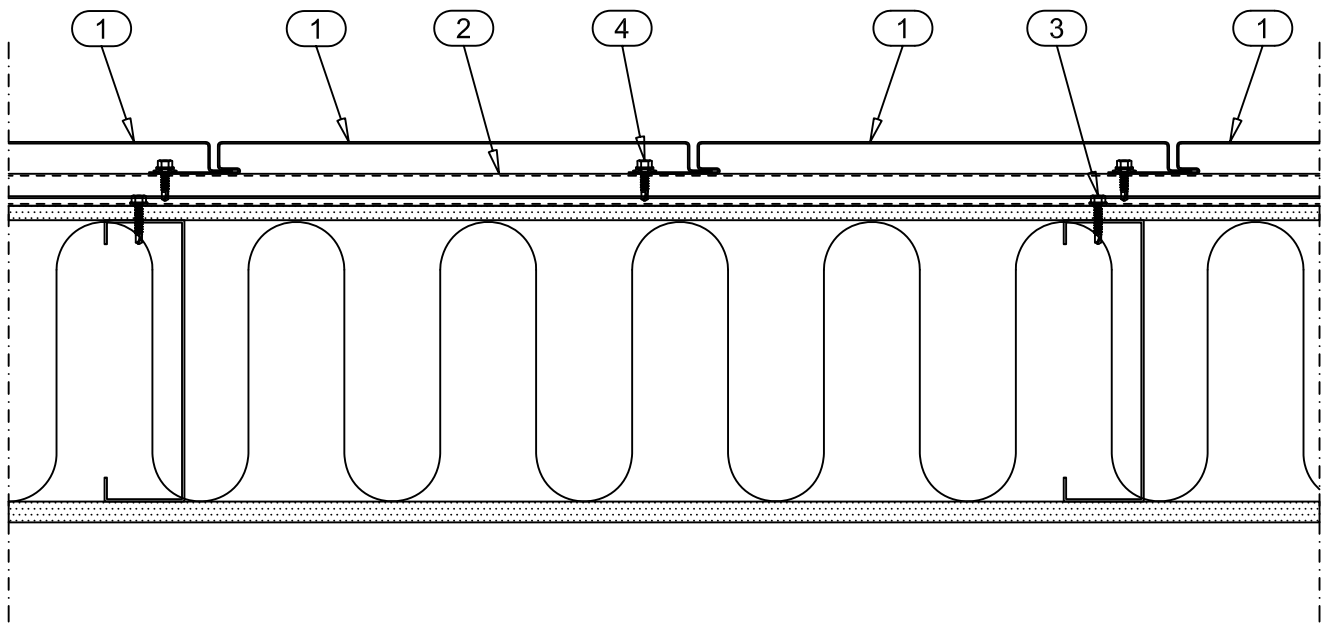
Date 12.08.2011	Rev. date	Work nr.	Drw. nr. CL70DE-2	Rev.
Drawn by Ruukki	Rev.		File nr.	
Scale 1:2.5	Building			



- 1. LAMELLA VERTICAL 70
- 2. SUPPORT STUD CA1SS2
- 3. SCREW S1H48025D03 (SFS intec SD3-4.8x25)
- 4. SCREW S3H48020D03A4 (SFS intec SD3-S-A14-4.8x20)
- 5. (SILL) FLASHING CA1S1X
- 6. HORIZONTAL BRACE STRIP (for fastening studs)

DELIVERY OF RUUKKI

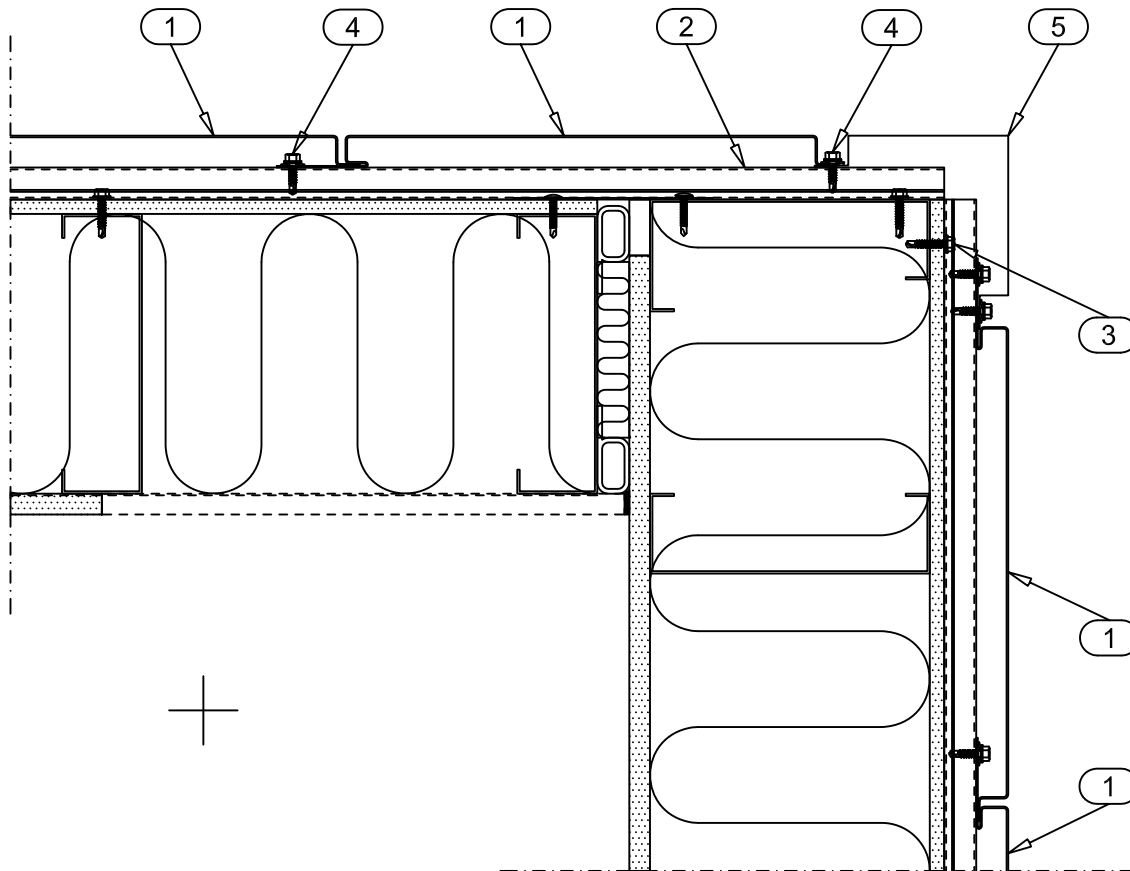
Date 12.08.2011	Rev. date	Work nr.	Drw. nr. CL70DE-3	Rev.
Drawn by Ruukki	Rev.			
Scale 1:5	Building		File nr.	



- 1. LAMELLA VERTICAL 70
- 2. SUPPORT STUD CA1SS1
- 3. SCREW S1H48025D03 (SFS intec SD3-4.8x25)
- 4. SCREW S3H48020D03A4 (SFS intec SD3-S-A14-4.8x20)

DELIVERY OF RUUKKI

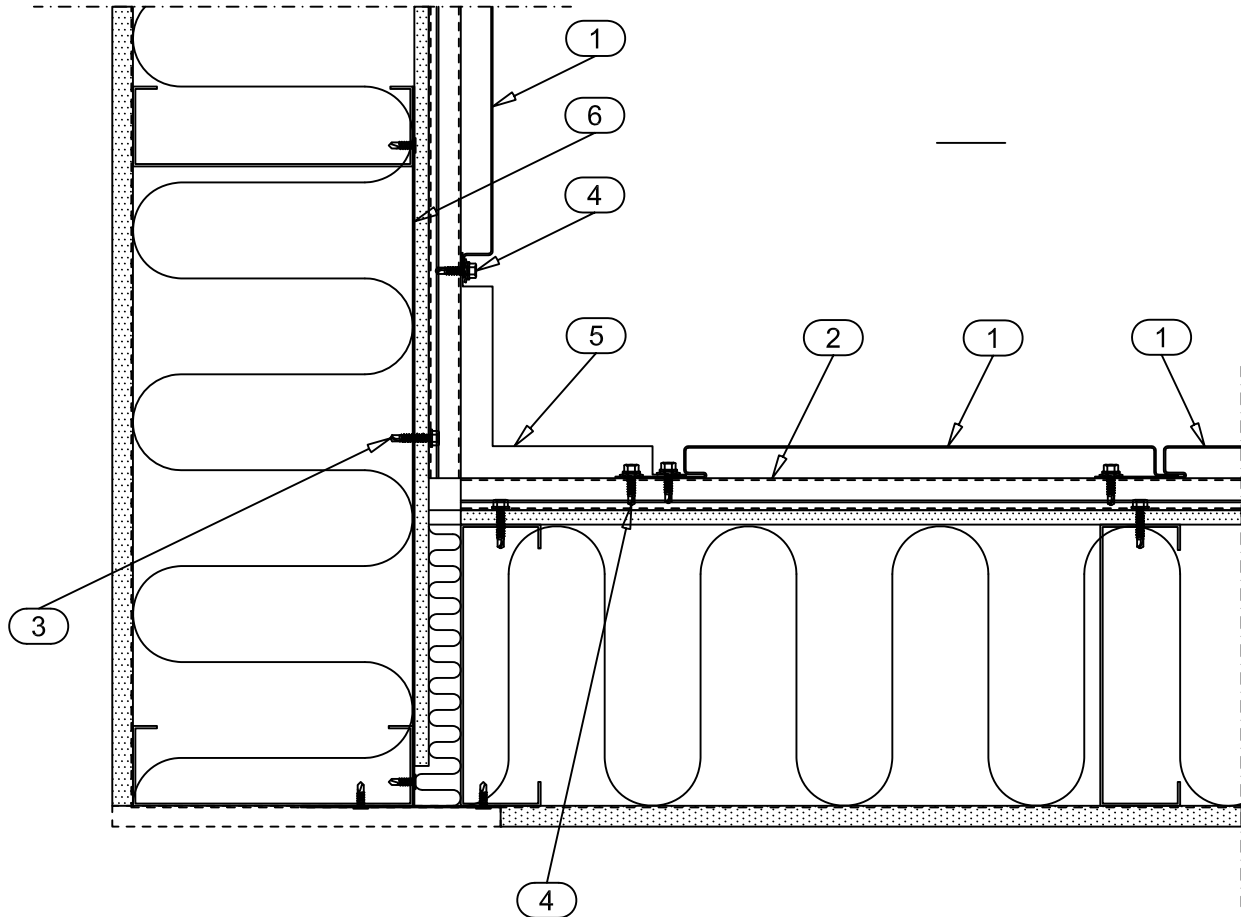
Date 12.08.2011	Rev. date	Work nr.	Drw. nr. CL70DE-4	Rev.
Drawn by Ruukki	Rev.			
Scale 1:5	Building		File nr.	



- 1. LAMELLA VERTICAL 70
- 2. SUPPORT STUD CA1SS1
- 3. SCREW S1H48025D03 (SFS intec SD3-4.8x25)
- 4. SCREW S3H48020D03A4 (SFS intec SD3-S-A14-4.8x20)
- 5. EXTERNAL CORNER FLASHING CA1EC10X

DELIVERY OF RUUKKI

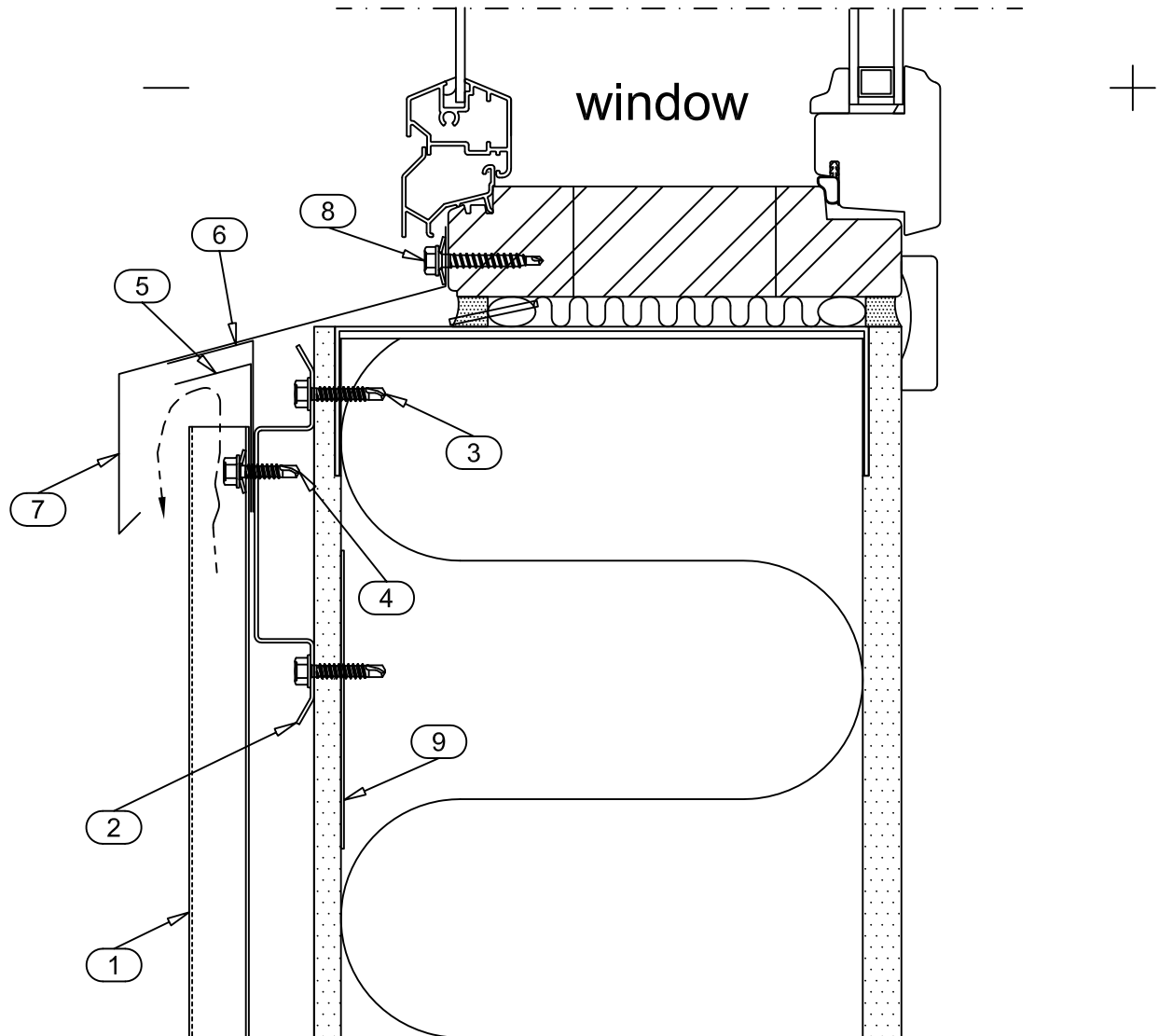
Date 12.08.2011	Rev. date	Work nr.	Drw. nr. CL70DE-5	Rev.
Drawn by Ruukki	Rev.			
Scale 1:5	Building		File nr.	



- 1. LAMELLA VERTICAL 70
- 2. SUPPORT STUD CA1SS1
- 3. SCREW S1H48025D03 (SFS intec SD3-4.8x25)
- 4. SCREW S3H48020D03A4 (SFS intec SD3-S-A14-4.8x20)
- 5. INTERNAL CORNER FLASHING CA1IC8X
- 6. HORIZONTAL BRACE STRIP (for fastening studs)

DELIVERY OF RUUKKI

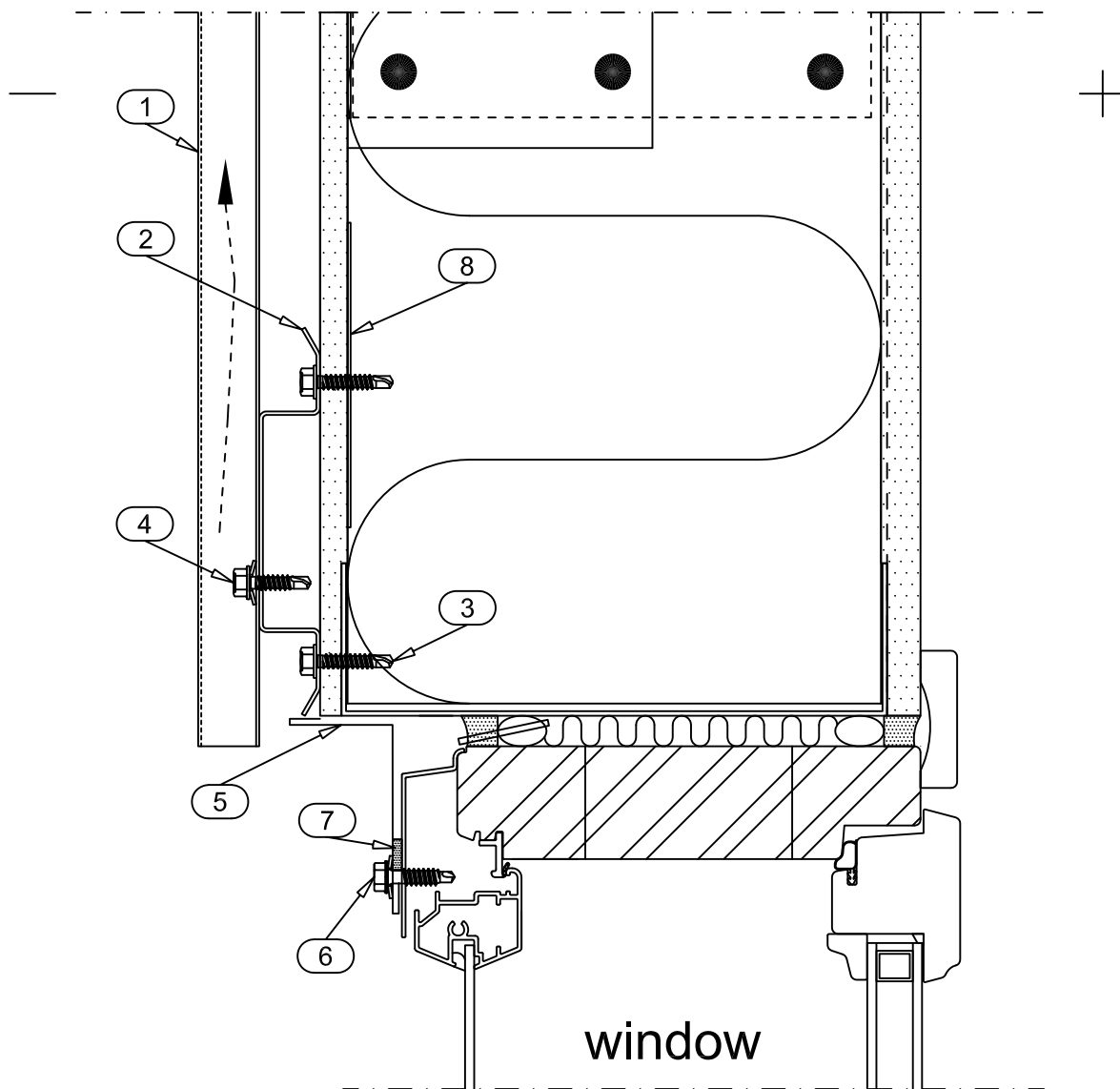
Date 12.08.2011	Rev. date	Work nr.	Drw. nr. CL70DE-6	Rev.
Drawn by Ruukki	Rev.			
Scale 1:2.5	Building		File nr.	



- 1. LAMELLA VERTICAL 70
- 2. SUPPORT STUD CA1SS1
- 3. SCREW S1H48025D03 (SFS intec SD3-4.8x25)
- 4. SCREW S3H48020D03A4 (SFS intec SD3-S-A14-4.8x20)
- 5. STORM FLASHING CA1ST1X
- 6. SUPPORT FLASHING CA1SU1X
- 7. SILL FLASHING CA1S1X
- 8. SCREW S3H48035WA4 (SFS intec SW2-S-A14-4.8x35)
- 9. HORIZONTAL BRACE STRIP (for fastening studs)

DELIVERY OF RUUKKI

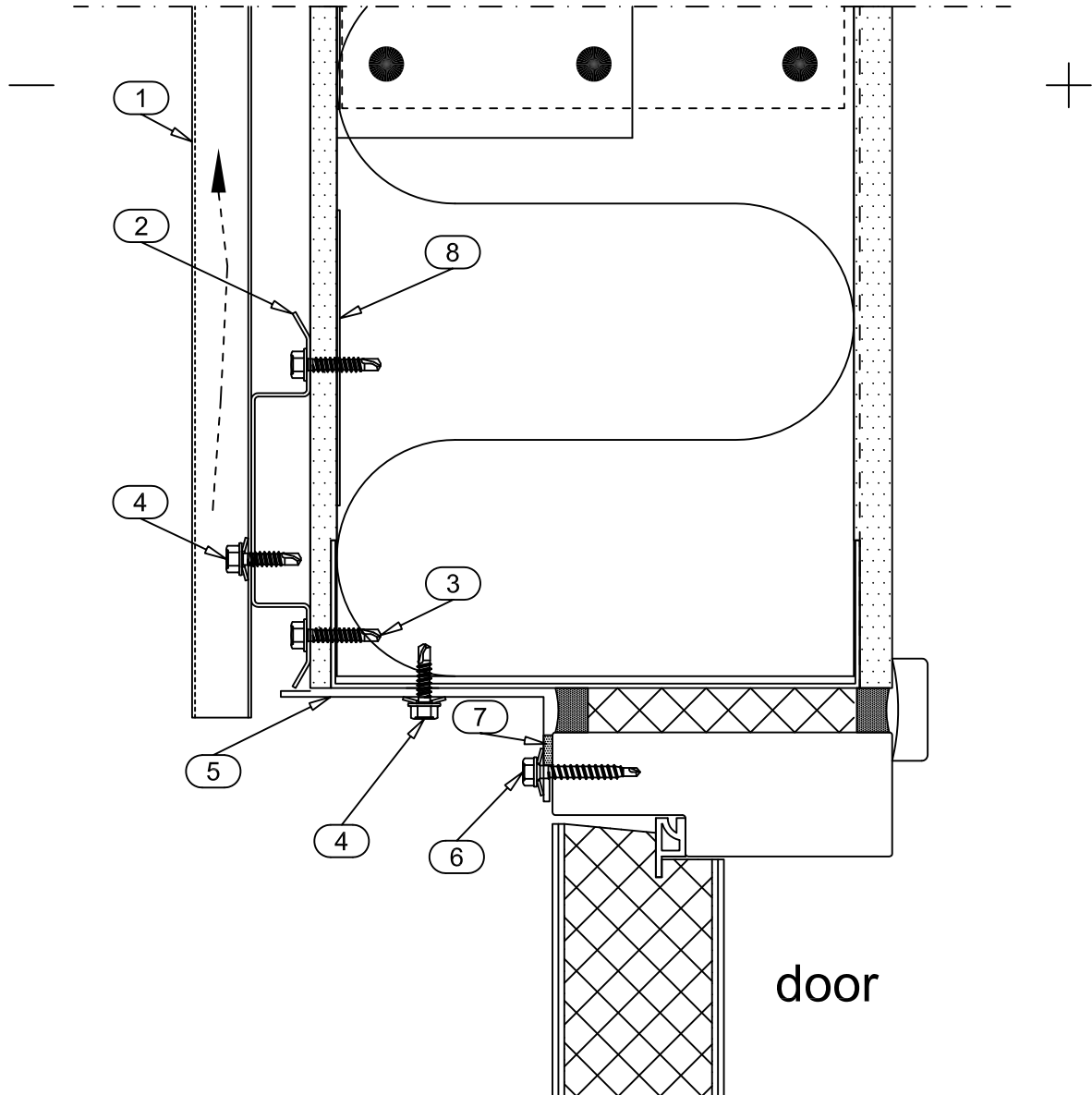
Date 12.08.2011	Rev. date	Work nr.	Drw. nr. CL70DE-7	Rev.
Drawn by Ruukki	Rev.			
Scale 1:2.5	Building		File nr.	



- 1. LAMELLA VERTICAL 70
- 2. SUPPORT STUD CA1SS1
- 3. SCREW S1H48025D03 (SFS intec SD3-4.8x25)
- 4. SCREW S3H48020D03A4 (SFS intec SD3-S-A14-4.8x20)
- 5. COVER FLASHING CA1C10X
- 6. SCREW S3H55022L02A4 (SFS intec SL2-S-A14-5.5x22)
- 7. SEALING STRIP EA3SS410
- 8. HORIZONTAL BRACE STRIP (for fastening studs)

DELIVERY OF RUUKKI

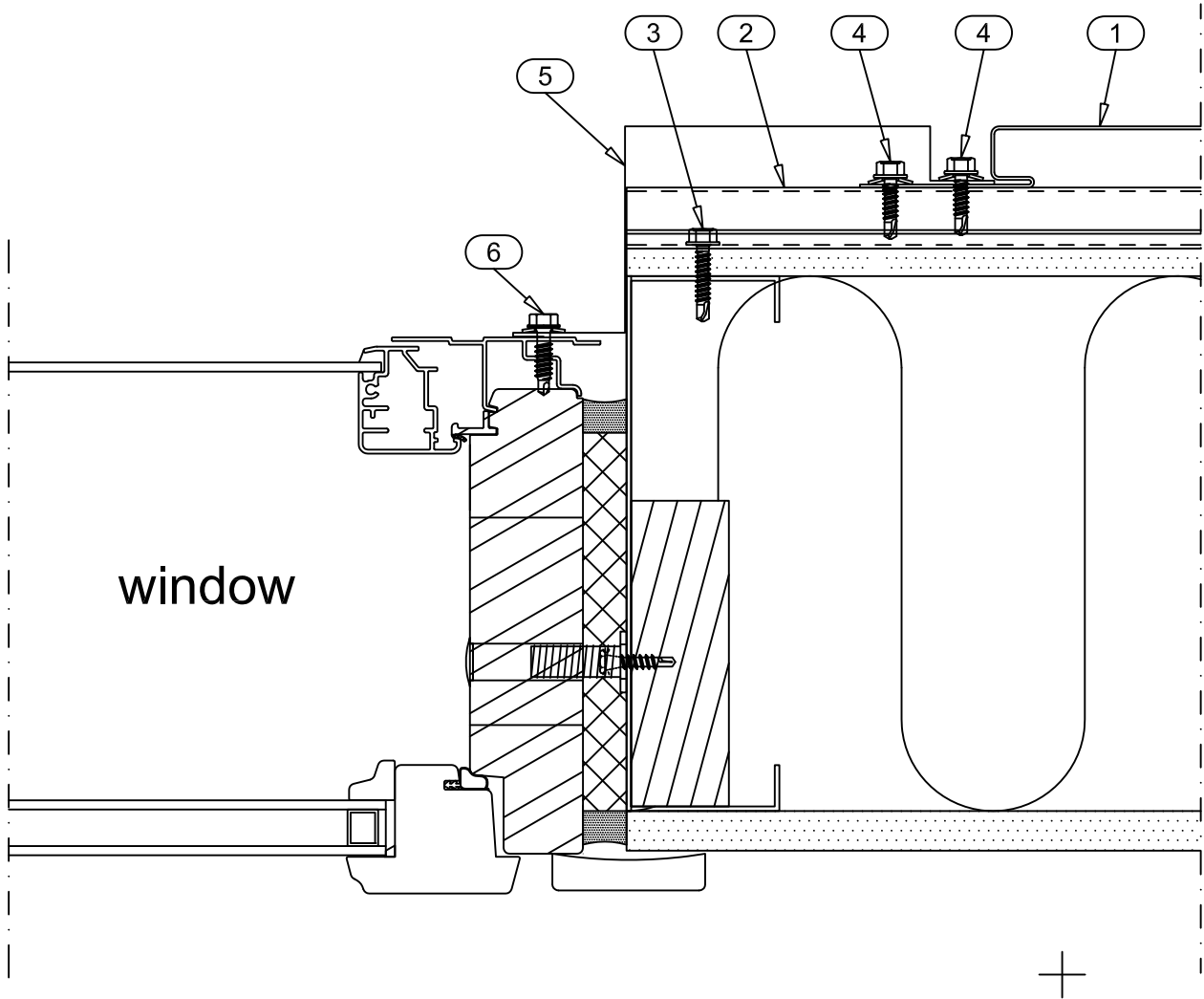
Date 12.08.2011	Rev. date	Work nr.	Drw. nr. CL70DE-8	Rev.
Drawn by Ruukki	Rev.			
Scale 1:2.5	Building		File nr.	



- 1. LAMELLA VERTICAL 70
- 2. SUPPORT STUD CA1SS1
- 3. SCREW S1H48025D03 (SFS intec SD3-4.8x25)
- 4. SCREW S3H48020D03A4 (SFS intec SD3-S-A14-4.8x20)
- 5. COVER FLASHING CA1C10X
- 6. SCREW S3H48035WA4 (SFS intec SW2-S-A14-4.8x35)
- 7. SEALING STRIP EA3SS410
- 8. HORIZONTAL BRACE STRIP (for fastening studs)

DELIVERY OF RUUKKI

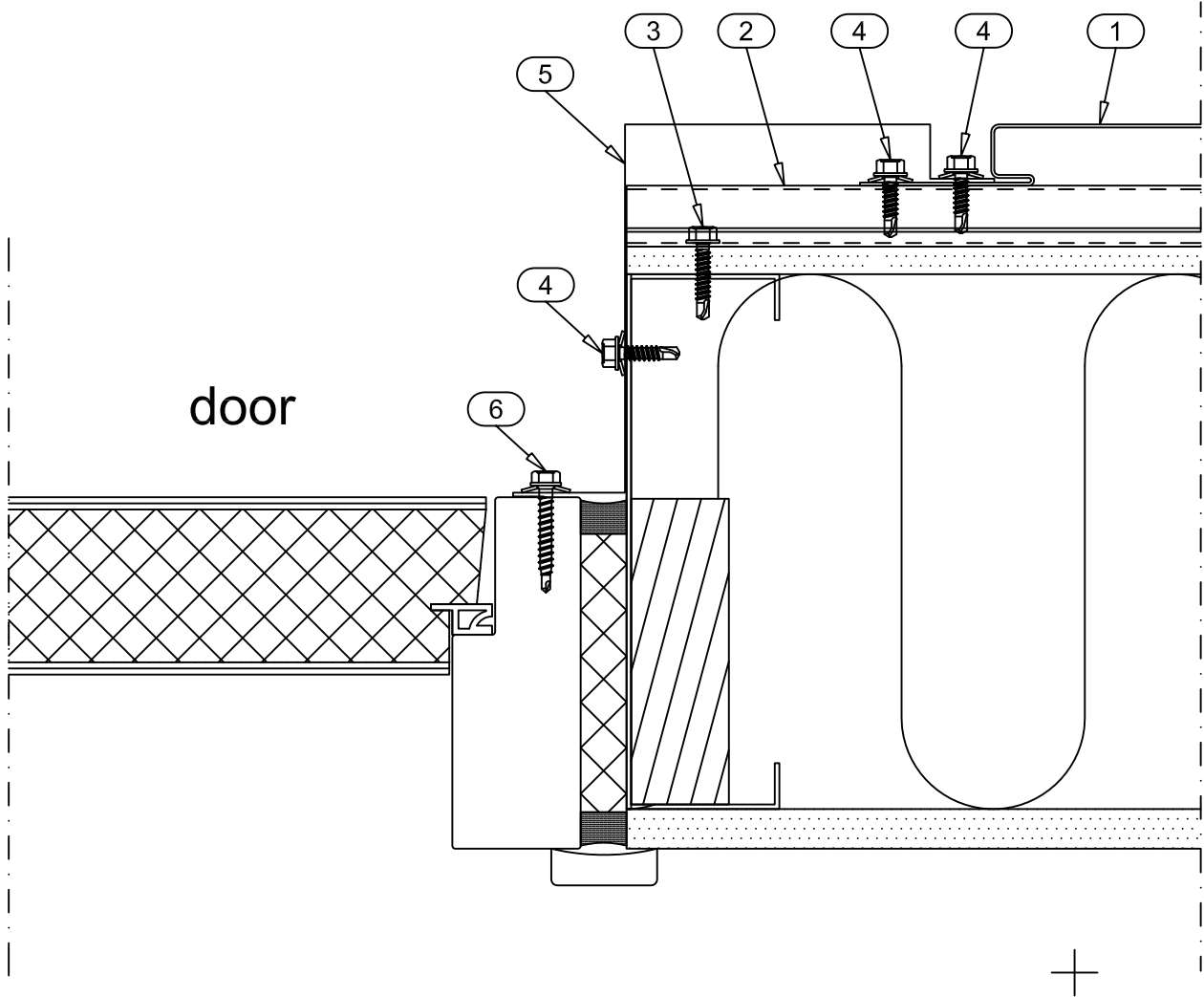
Date 12.08.2011	Rev. date	Work nr.	Drw. nr. CL70DE-9	Rev.
Drawn by Ruukki	Rev.			
Scale 1:2.5	Building		File nr.	



- 1. LAMELLA VERTICAL 70
- 2. SUPPORT STUD CA1SS1
- 3. SCREW S1H48025D03 (SFS intec SD3-4.8x25)
- 4. SCREW S3H48020D03A4 (SFS intec SD3-S-A14-4.8x20)
- 5. COVER FLASHING CA1C6X
- 6. SCREW S3H55022L02A4 (SFS intec SL2-S-A14-5.5x22)

DELIVERY OF RUUKKI

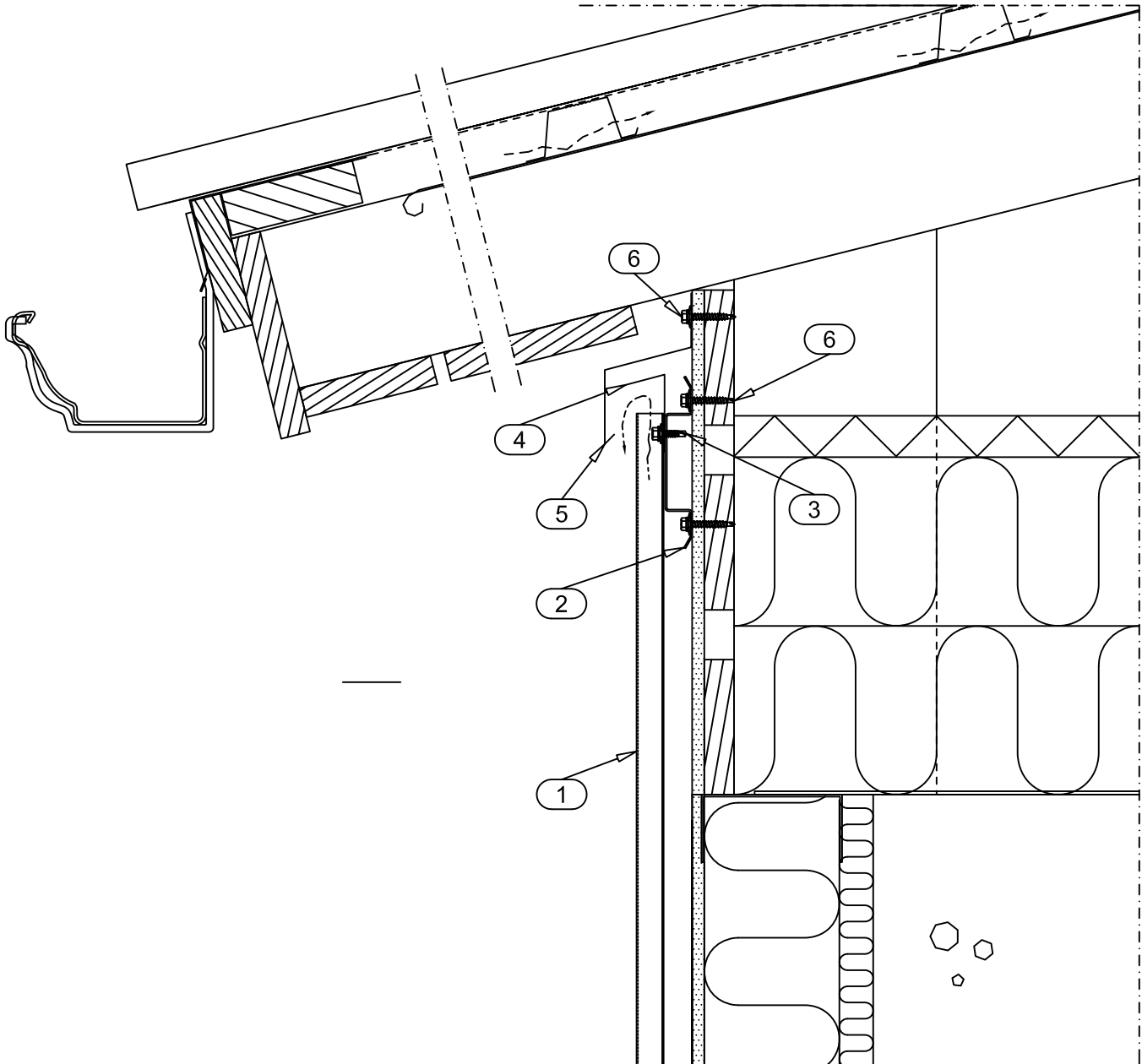
Date 12.08.2011	Rev. date	Work nr.	Drw. nr. CL70DE-10	Rev.
Drawn by Ruukki	Rev.			
Scale 1:2.5	Building		File nr.	



- 1. LAMELLA VERTICAL 70
- 2. SUPPORT STUD CA1SS1
- 3. SCREW S1H48025D03 (SFS intec SD3-4.8x25)
- 4. SCREW S3H48020D03A4 (SFS intec SD3-S-A14-4.8x20)
- 5. COVER FLASHING CA1C6X
- 6. SCREW S3H48035WA4 (SFS intec SW2-S-A14-4.8x35)

DELIVERY OF RUUKKI

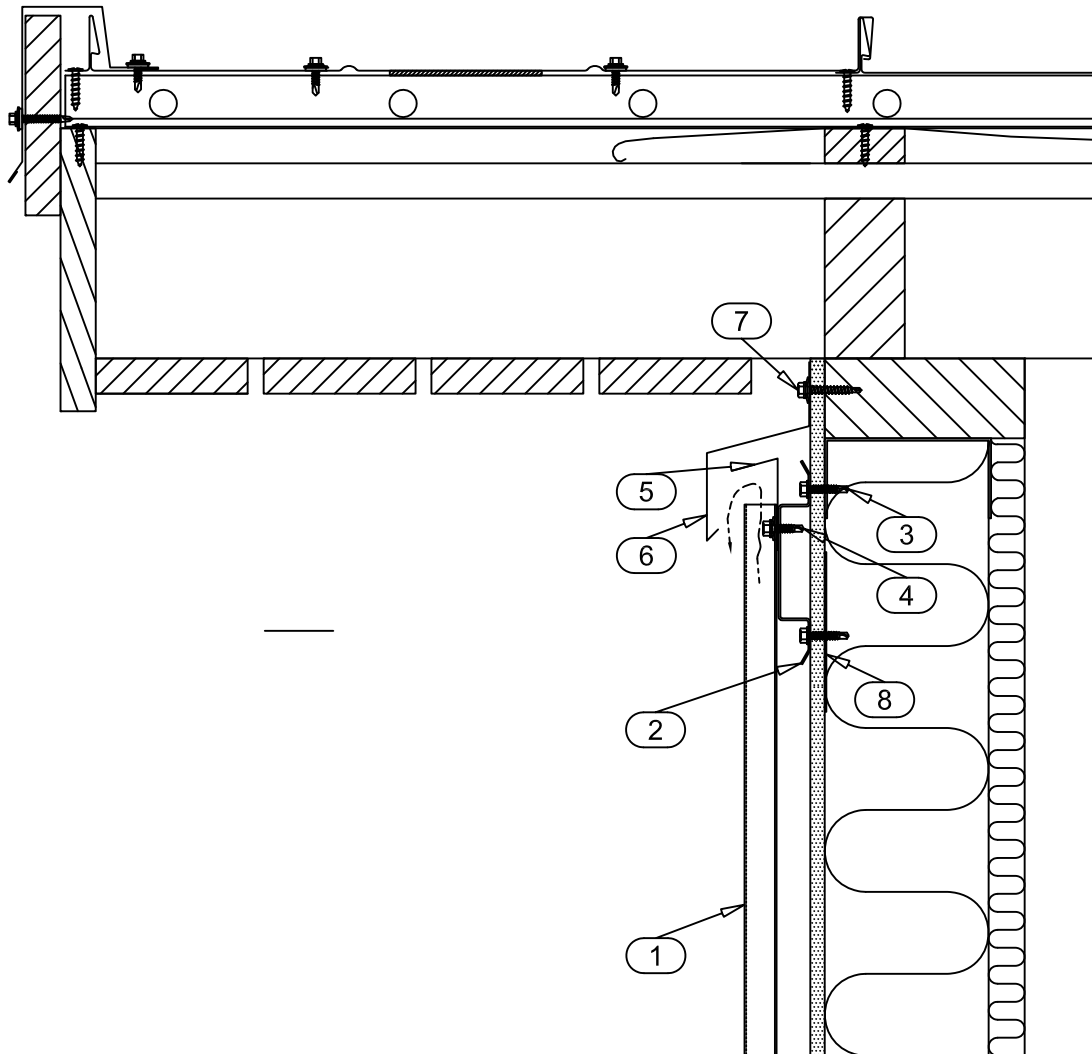
Date 12.08.2011	Rev. date	Work nr.	Drw. nr. CL70DE-11	Rev.
Drawn by Ruukki	Rev.			
Scale 1:5	Building		File nr.	



- 1. LAMELLA VERTICAL 70
- 2. SUPPORT STUD CA1SS1
- 3. SCREW S3H48020D03A4 (SFS intec SD3-S-A14-4.8x20)
- 4. STORM FLASHING CA1ST1X
- 5. EAVES FLASHING CA1E1X
- 6. SCREW S3H48035WA4 (SFS intec SW2-S-A14-4.8x35)

DELIVERY OF RUUKKI

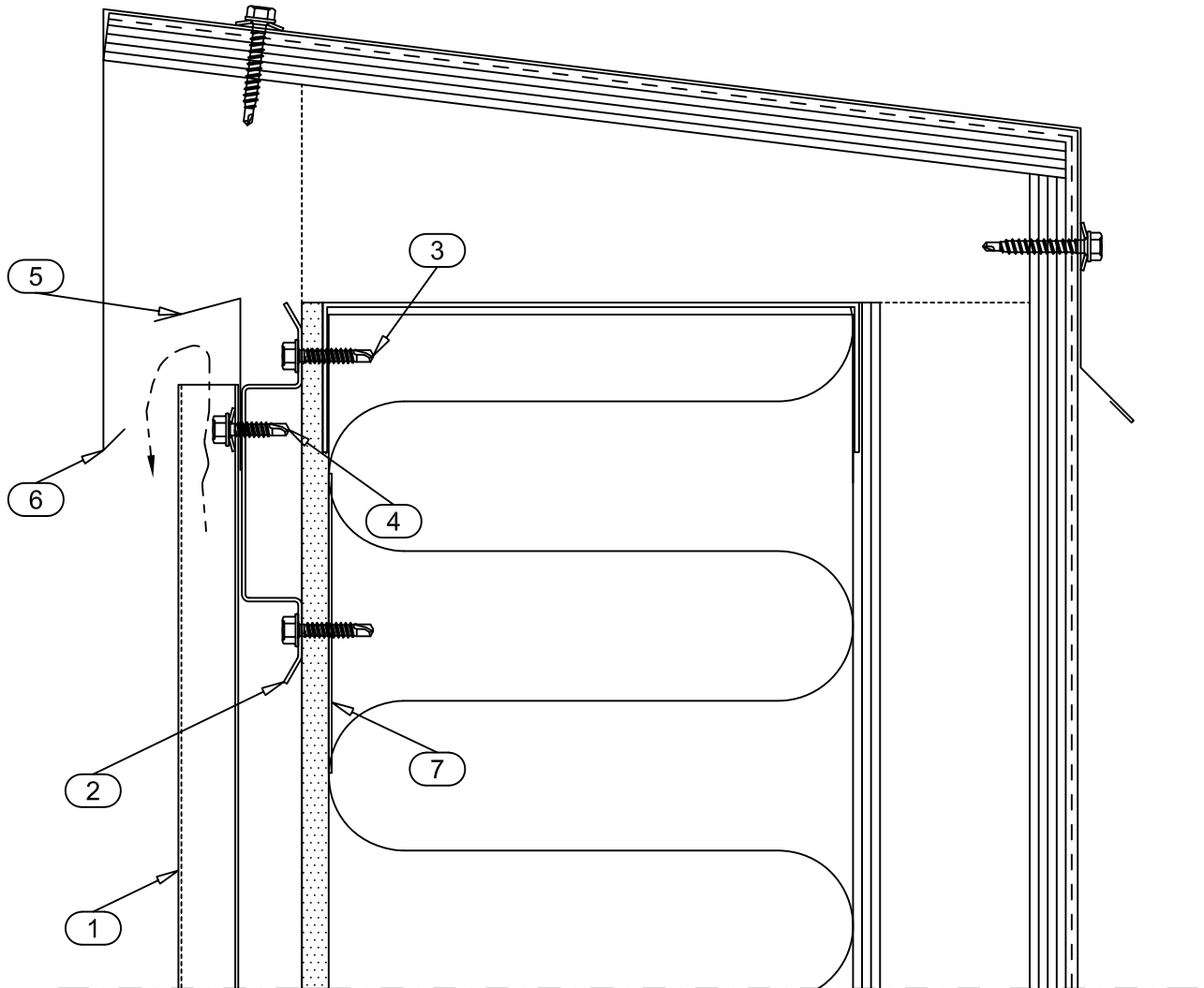
Date 12.08.2011	Rev. date	Work nr.	Drw. nr. CL70DE-12	Rev.
Drawn by Ruukki	Rev.			
Scale 1:5	Building		File nr.	



- 1. LAMELLA VERTICAL 70
- 2. SUPPORT STUD CA1SS1
- 3. SCREW S1H48025D03 (SFS intec SD3-4.8x25)
- 4. SCREW S3H48020D03A4 (SFS intec SD3-S-A14-4.8x20)
- 5. STORM FLASHING CA1ST1X
- 6. EAVES FLASHING CA1E1X
- 7. SCREW S3H48035WA4 (SFS intec SW2-S-A14-4.8x35)
- 8. HORIZONTAL BRACE STRIP (for fastening studs)

DELIVERY OF RUUKKI

Date 12.08.2011	Rev. date	Work nr.	Drw. nr. CL70DE-13	Rev.
Drawn by Ruukki	Rev.			
Scale 1:2.5	Building	File nr.		



- 1. LAMELLA VERTICAL 70
- 2. SUPPORT STUD CA1SS1
- 3. SCREW S1H48025D03 (SFS intec SD3-4.8x25)
- 4. SCREW S3H48020D03A4 (SFS intec SD3-S-A14-4.8x20)
- 5. STORM FLASHING CA1ST1X
- 6. EAVES FLASHING CA1E2X
- 7. HORIZONTAL BRACE STRIP (for fastening studs)

DELIVERY OF RUUKKI