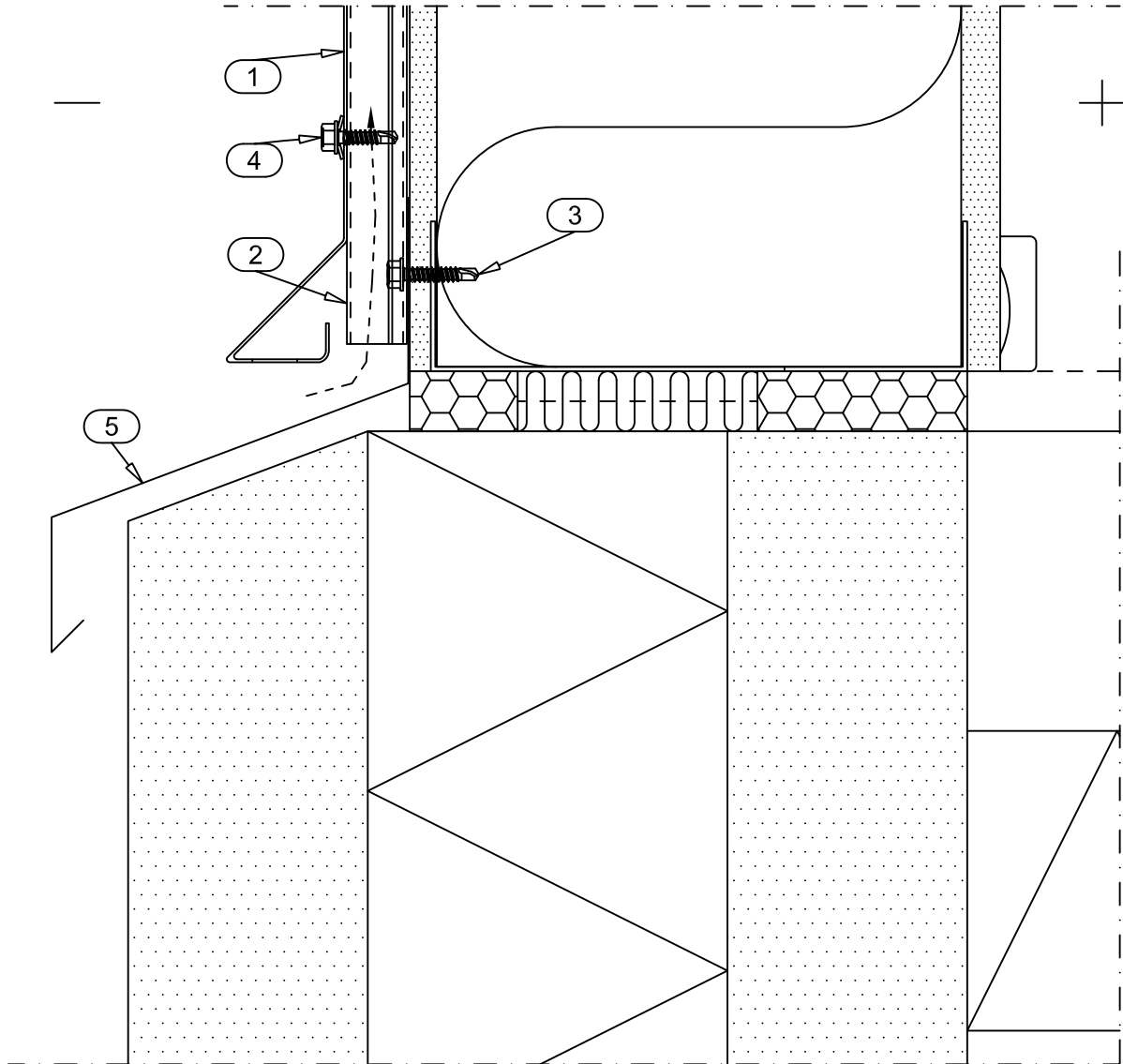


Drw. nr.	Contents of drawing			Date	Rev.	Rev. date
CL40DE-1	Plinth, vertical section			12.08.2011	.	.
CL40DE-2	Horizontal joint, vertical section			12.08.2011	.	.
CL40DE-3	Vertical joint, horizontal section			12.08.2011	.	.
CL40DE-4	Horizontal joint, vertical section			12.08.2011	.	.
CL40DE-5	Vertical joint, horizontal section			12.08.2011	.	.
CL40DE-6	External corner, horizontal section			12.08.2011	.	.
CL40DE-7	External corner, horizontal section			12.08.2011	.	.
CL40DE-8	Internal corner, horizontal section			12.08.2011	.	.
CL40DE-9	Internal corner, horizontal section			12.08.2011	.	.
CL40DE-10	Lower edge of window, vertical section			12.08.2011	.	.
CL40DE-11	Upper edge of window, vertical section			12.08.2011	.	.
CL40DE-12	Upper edge of door, vertical section			12.08.2011	.	.
CL40DE-13	Vertical edge of window, horizontal section			12.08.2011	.	.
CL40DE-14	Vertical edge of door, horizontal section			12.08.2011	.	.
CL40DE-15	Side eaves, vertical section			12.08.2011	.	.
CL40DE-16	Gable eaves, vertical section			12.08.2011	.	.
CL40DE-17	Short eaves, vertical section			12.08.2011	.	.
CL40DE-18	Horizontal and vertical joint, support studs fastened by adjustable fastener			12.08.2011	.	.
City sector		Block	Site/Reg. nr.	File nr.		
Building type			Drawing type		Nr.	
Building, Name and address			Contents of drawing			Scale
			Lamella sharp 40			
			BASE DETAIL DRAWINGS			
Date 12.08.2011		Designer Ruukki		Work nr.	Work nr.	Drw. nr. Rev.
Drawn by		Checked				

Lamella sharp 40
Plinth
Vertical section

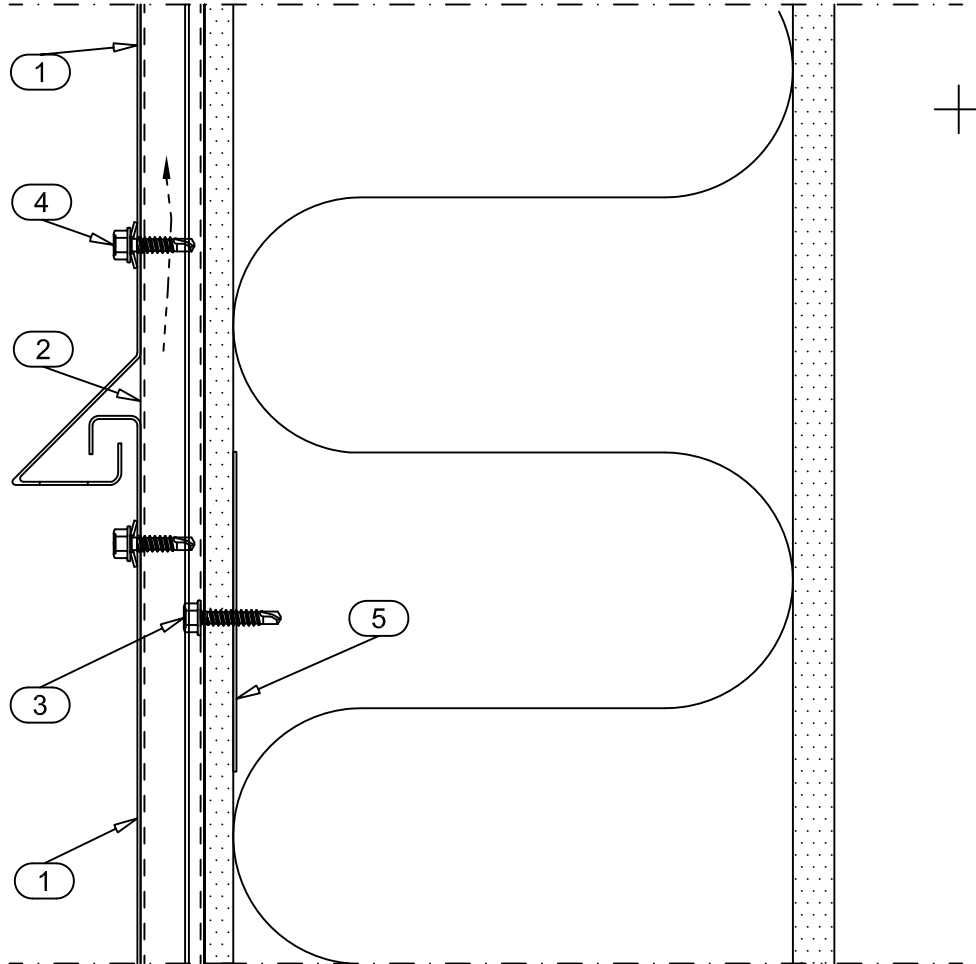
Date 12.08.2011	Rev. date	Work nr.	Drw. nr. CL40DE-1	Rev.
Drawn by Ruukki	Rev.			
Scale 1:2.5	Building		File nr.	



- 1. LAMELLA SHARP 40
- 2. SUPPORT STUD CA1SS1
- 3. SCREW S1H48025D03 (SFS intec SD3-4.8x25)
- 4. SCREW S3H48020D03A4 (SFS intec SD3-S-A14-4.8x20)
- 5. PLINTH FLASHING CA1P1X

- DELIVERY OF RUUKKI

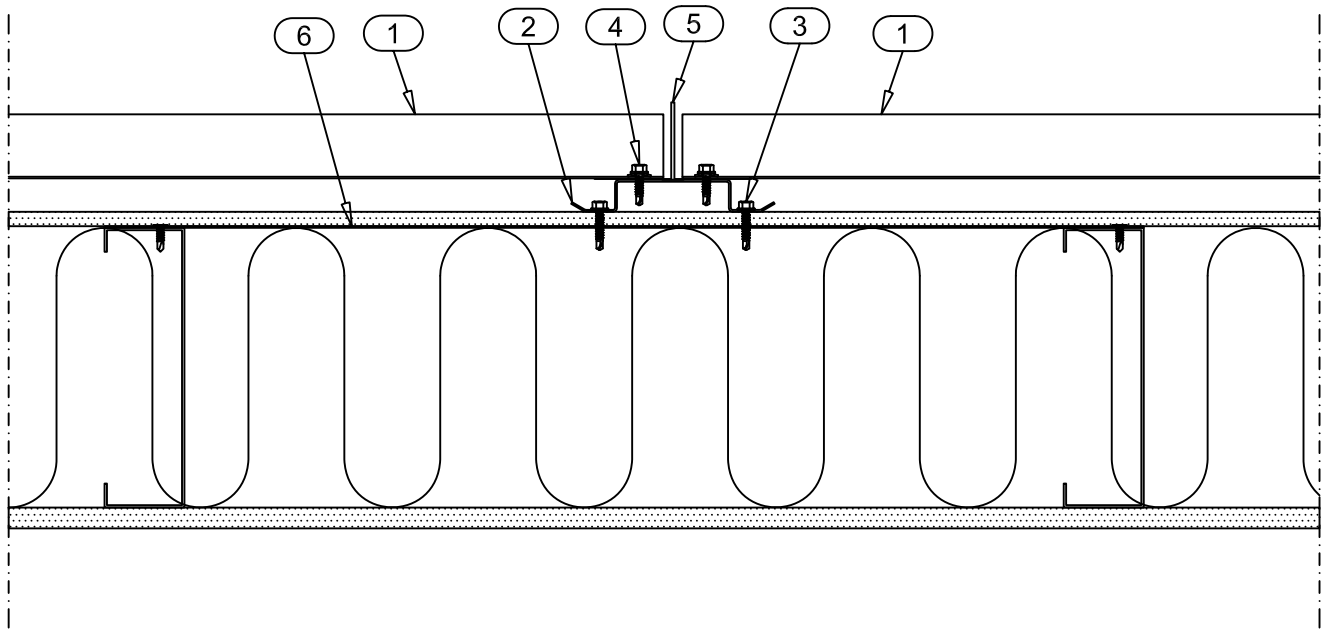
Date 12.08.2011	Rev. date	Work nr.	Drw. nr. CL40DE-2	Rev.
Drawn by Ruukki	Rev.		File nr.	
Scale 1:2.5	Building			



- 1. LAMELLA SHARP 40
- 2. SUPPORT STUD CA1SS1
- 3. SCREW S1H48025D03 (SFS intec SD3-4.8x25)
- 4. SCREW S3H48020D03A4 (SFS intec SD3-S-A14-4.8x20)
- 5. HORIZONTAL BRACE STRIP (for fastening studs)

- DELIVERY OF RUUKKI

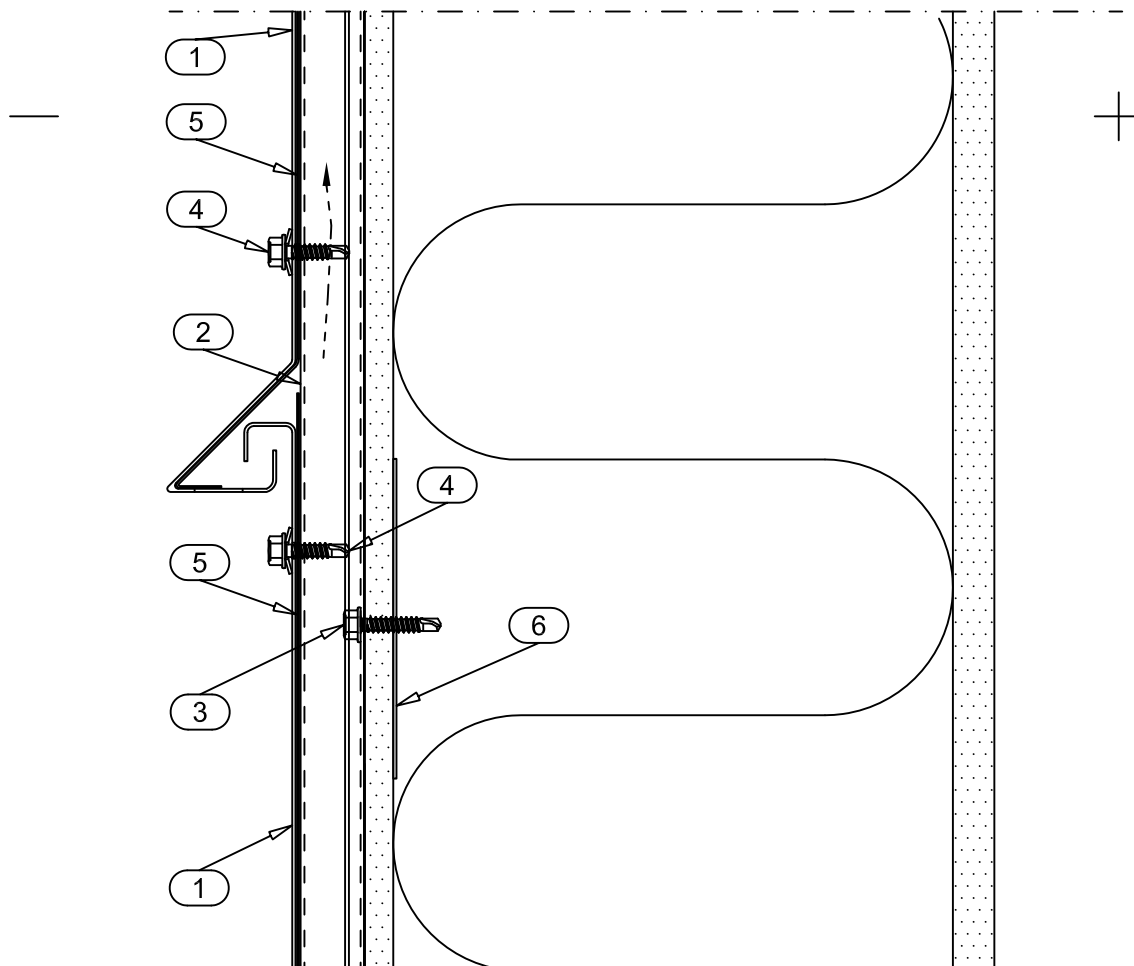
Date 12.08.2011	Rev. date	Work nr.	Drw. nr. CL40DE-3	Rev.
Drawn by Ruukki	Rev.			
Scale 1:5	Building		File nr.	



- 1. LAMELLA SHARP 40
- 2. SUPPORT STUD CA1SS1
- 3. SCREW S1H48025D03 (SFS intec SD3-4.8x25)
- 4. SCREW S3H48020D03A4 (SFS intec SD3-S-A14-4.8x20)
- 5. VERTICAL JOINT FLASHING CA1VJ6
- 6. HORIZONTAL BRACE STRIP (for fastening studs)

DELIVERY OF RUUKKI

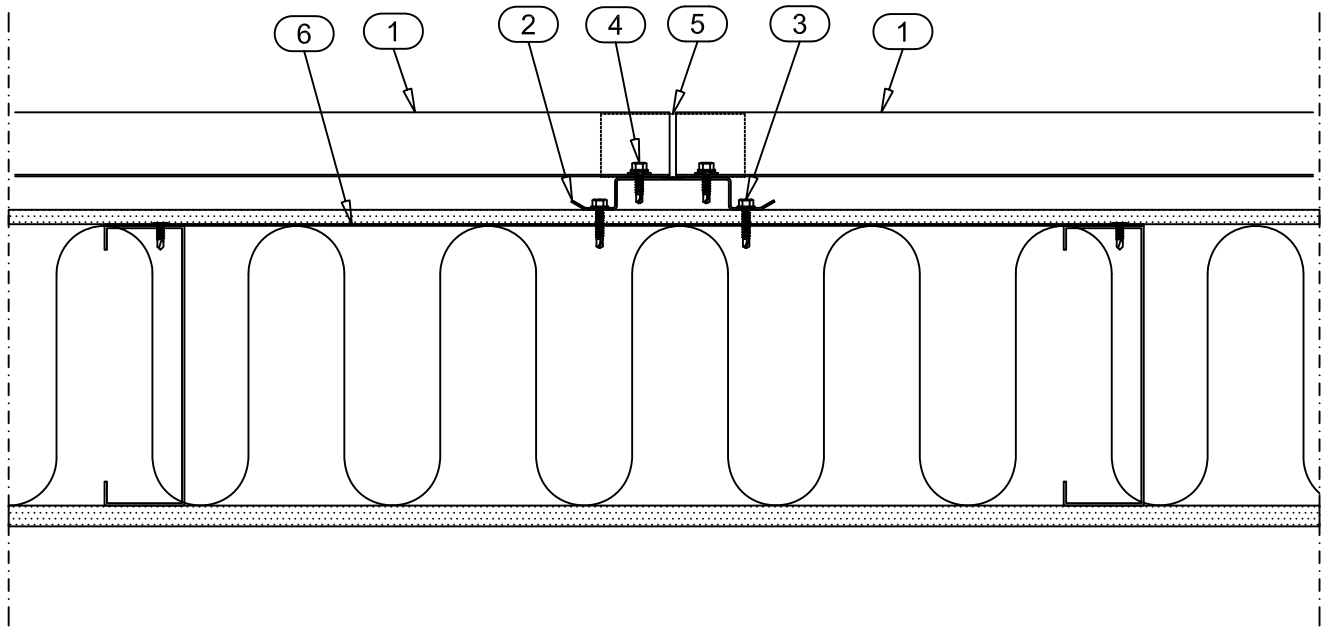
Date 12.08.2011	Rev. date	Work nr.	Drw. nr. CL40DE-4	Rev.
Drawn by Ruukki	Rev.			
Scale 1:2.5	Building		File nr.	



- 1. LAMELLA SHARP 40
- 2. SUPPORT STUD CA1SS1
- 3. SCREW S1H48025D03 (SFS intec SD3-4.8x25)
- 4. SCREW S3H48020D03A4 (SFS intec SD3-S-A14-4.8x20)
- 5. JOINT PIECE CA1J1 / CA1J1X
- 6. HORIZONTAL BRACE STRIP (for fastening studs)

DELIVERY OF RUUKKI

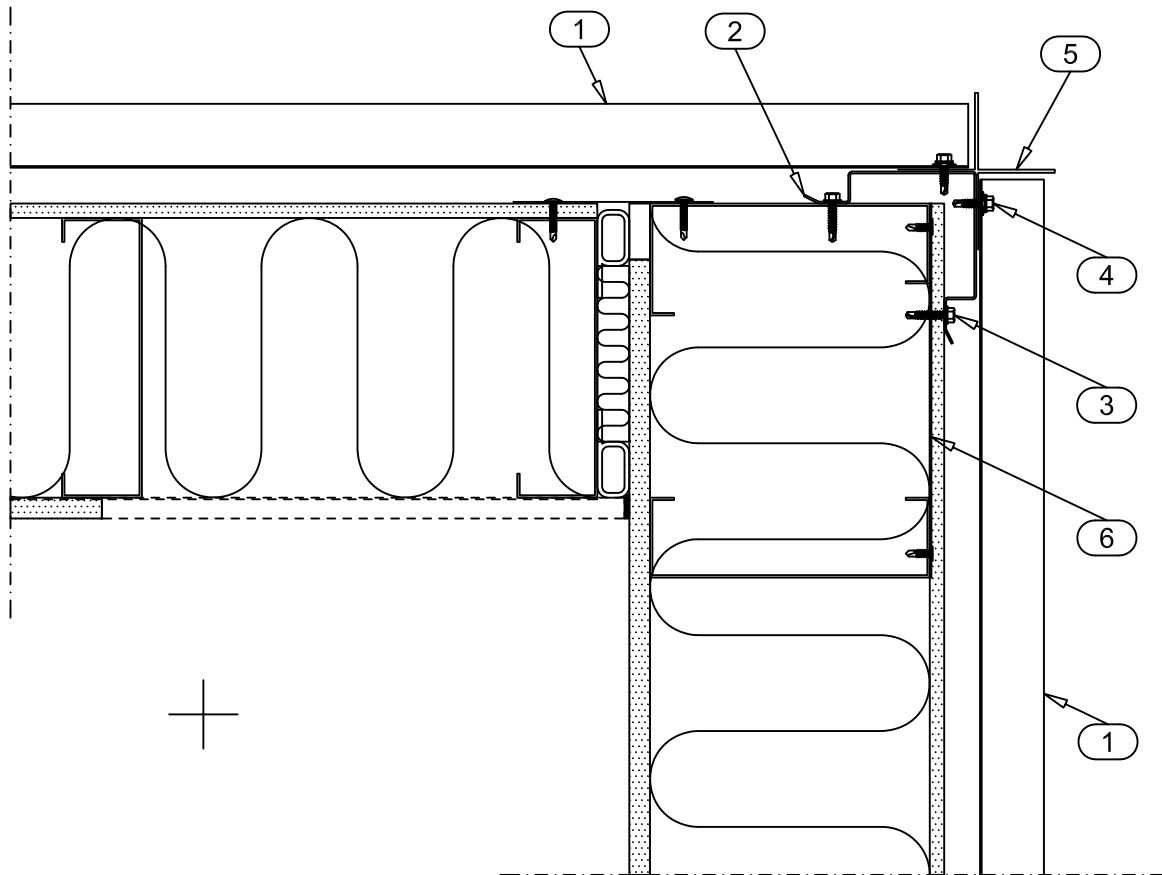
Date 12.08.2011	Rev. date	Work nr.	Drw. nr. CL40DE-5	Rev.
Drawn by Ruukki	Rev.			
Scale 1:5	Building		File nr.	



- 1. LAMELLA SHARP 40
- 2. SUPPORT STUD CA1SS1
- 3. SCREW S1H48025D03 (SFS intec SD3-4.8x25)
- 4. SCREW S3H48020D03A4 (SFS intec SD3-S-A14-4.8x20)
- 5. JOINT PIECE CA1J1 / CA1J1X
- 6. HORIZONTAL BRACE STRIP (for fastening studs)

DELIVERY OF RUUKKI

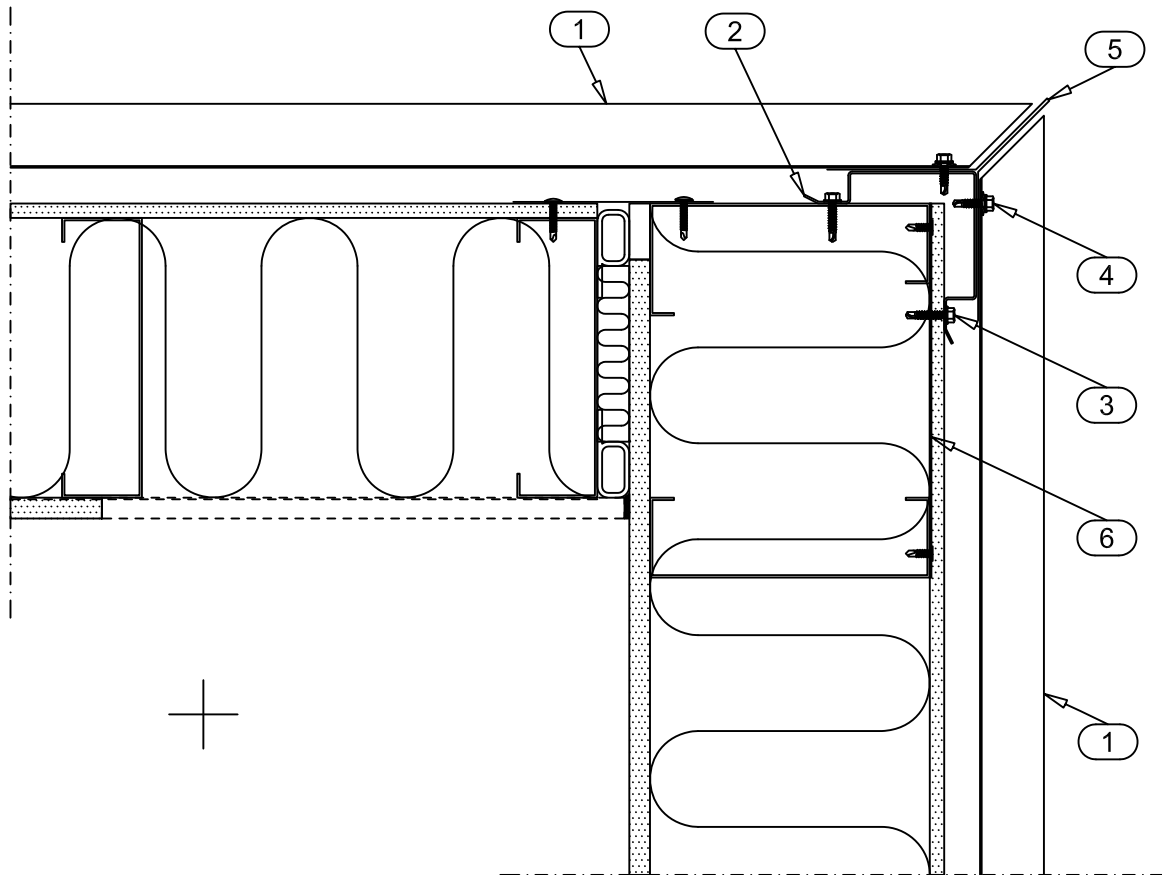
Date 12.08.2011	Rev. date	Work nr.	Drw. nr. CL40DE-6	Rev.
Drawn by Ruukki	Rev.			
Scale 1:5	Building		File nr.	



- 1. LAMELLA SHARP 40
- 2. SUPPORT STUD CORNER CA1SSC1
- 3. SCREW S1H48025D03 (SFS intec SD3-4.8x25)
- 4. SCREW S3H48020D03A4 (SFS intec SD3-S-A14-4.8x20)
- 5. EXTERNAL CORNER FLASHING CA1EC6
- 6. HORIZONTAL BRACE STRIP (for fastening studs)

DELIVERY OF RUUKKI

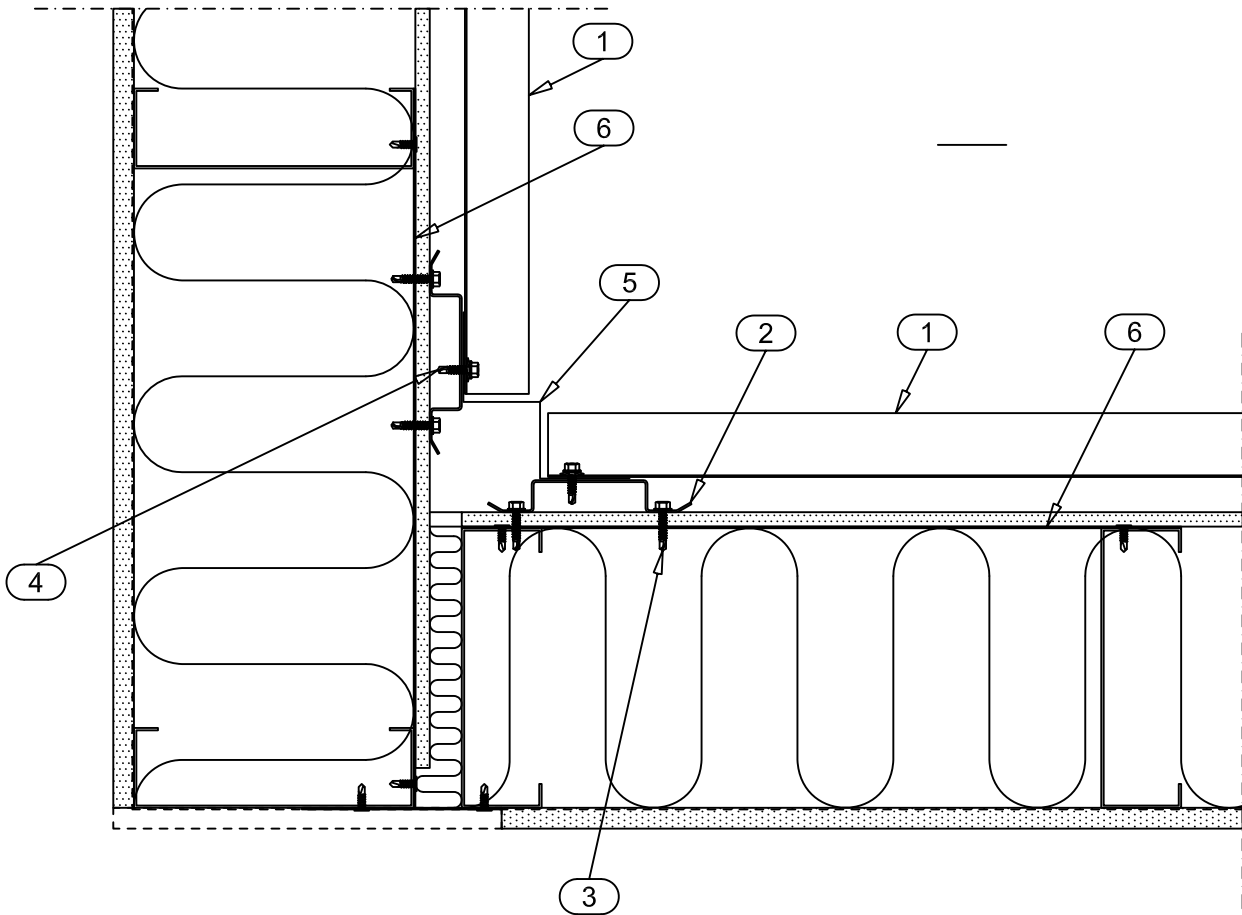
Date 12.08.2011	Rev. date	Work nr.	Drw. nr. CL40DE-7	Rev.
Drawn by Ruukki	Rev.			
Scale 1:5	Building		File nr.	



- 1. LAMELLA SHARP 40 CORNER
- 2. SUPPORT STUD CORNER CA1SSC1
- 3. SCREW S1H48025D03 (SFS intec SD3-4.8x25)
- 4. SCREW S3H48020D03A4 (SFS intec SD3-S-A14-4.8x20)
- 5. EXTERNAL CORNER FLASHING CA1EC8
- 6. HORIZONTAL BRACE STRIP (for fastening studs)

DELIVERY OF RUUKKI

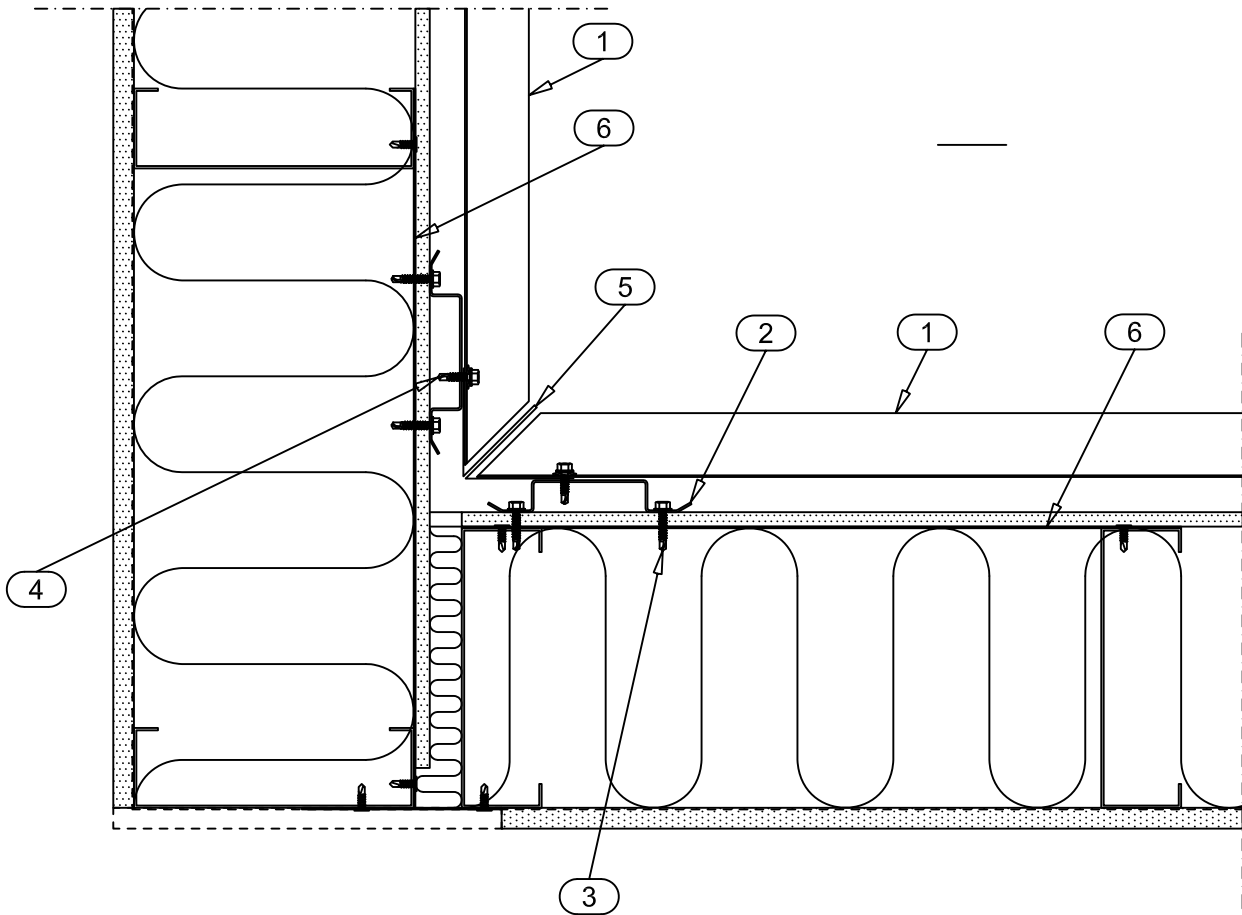
Date 12.08.2011	Rev. date	Work nr.	Drw. nr. CL40DE-8	Rev.
Drawn by Ruukki	Rev.			
Scale 1:5	Building		File nr.	



- 1. LAMELLA SHARP 40
- 2. SUPPORT STUD CA1SS1
- 3. SCREW S1H48025D03 (SFS intec SD3-4.8x25)
- 4. SCREW S3H48020D03A4 (SFS intec SD3-S-A14-4.8x20)
- 5. INTERNAL CORNER FLASHING CA1IC6
- 6. HORIZONTAL BRACE STRIP (for fastening studs)

DELIVERY OF RUUKKI

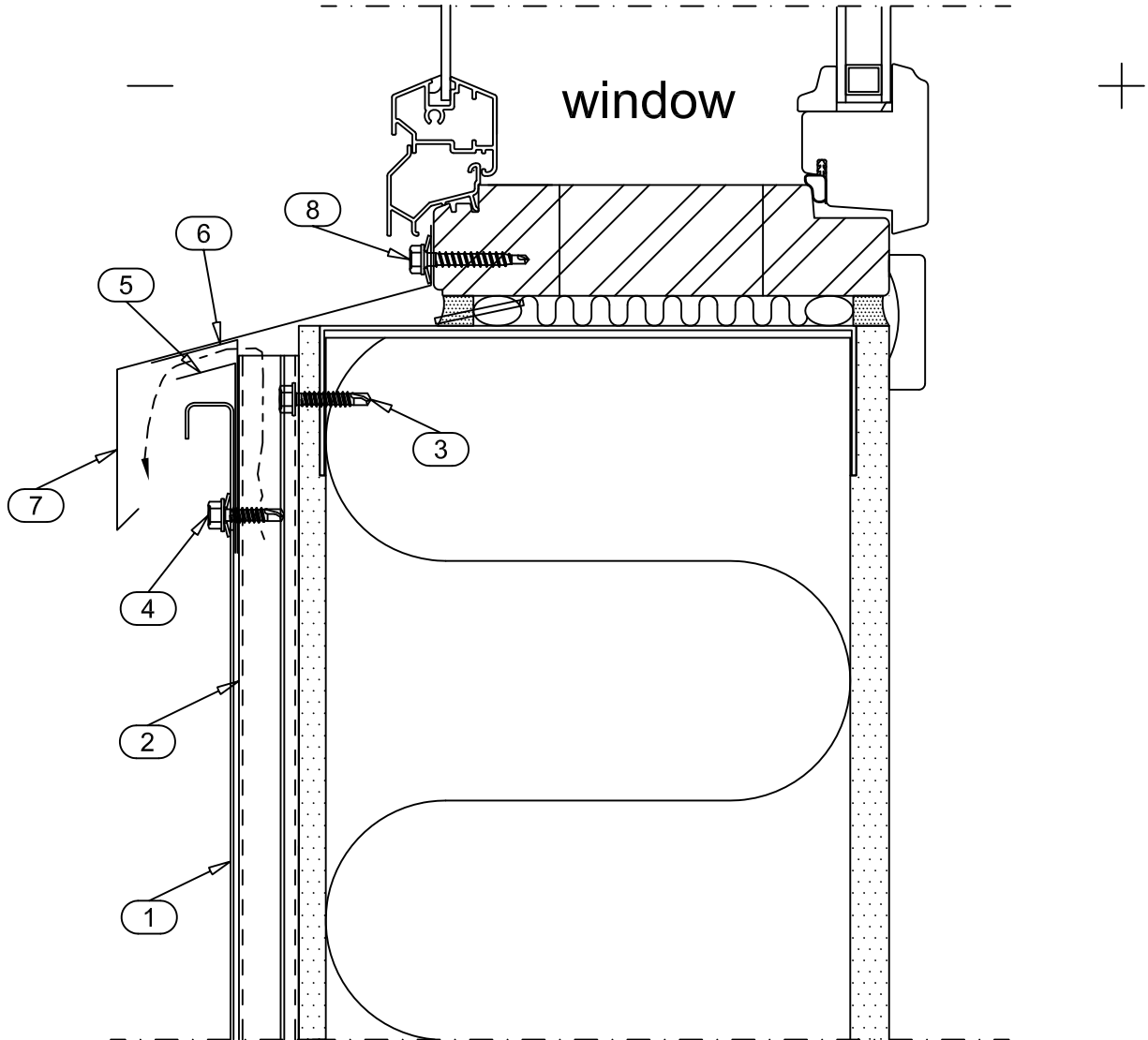
Date 12.08.2011	Rev. date	Work nr.	Drw. nr. CL40DE-9	Rev.
Drawn by Ruukki	Rev.			
Scale 1:5	Building		File nr.	



- 1. LAMELLA SHARP 40 CORNER
- 2. SUPPORT STUD CA1SS1
- 3. SCREW S1H48025D03 (SFS intec SD3-4.8x25)
- 4. SCREW S3H48020D03A4 (SFS intec SD3-S-A14-4.8x20)
- 5. INTERNAL CORNER FLASHING CA1IC9
- 6. HORIZONTAL BRACE STRIP (for fastening studs)

DELIVERY OF RUUKKI

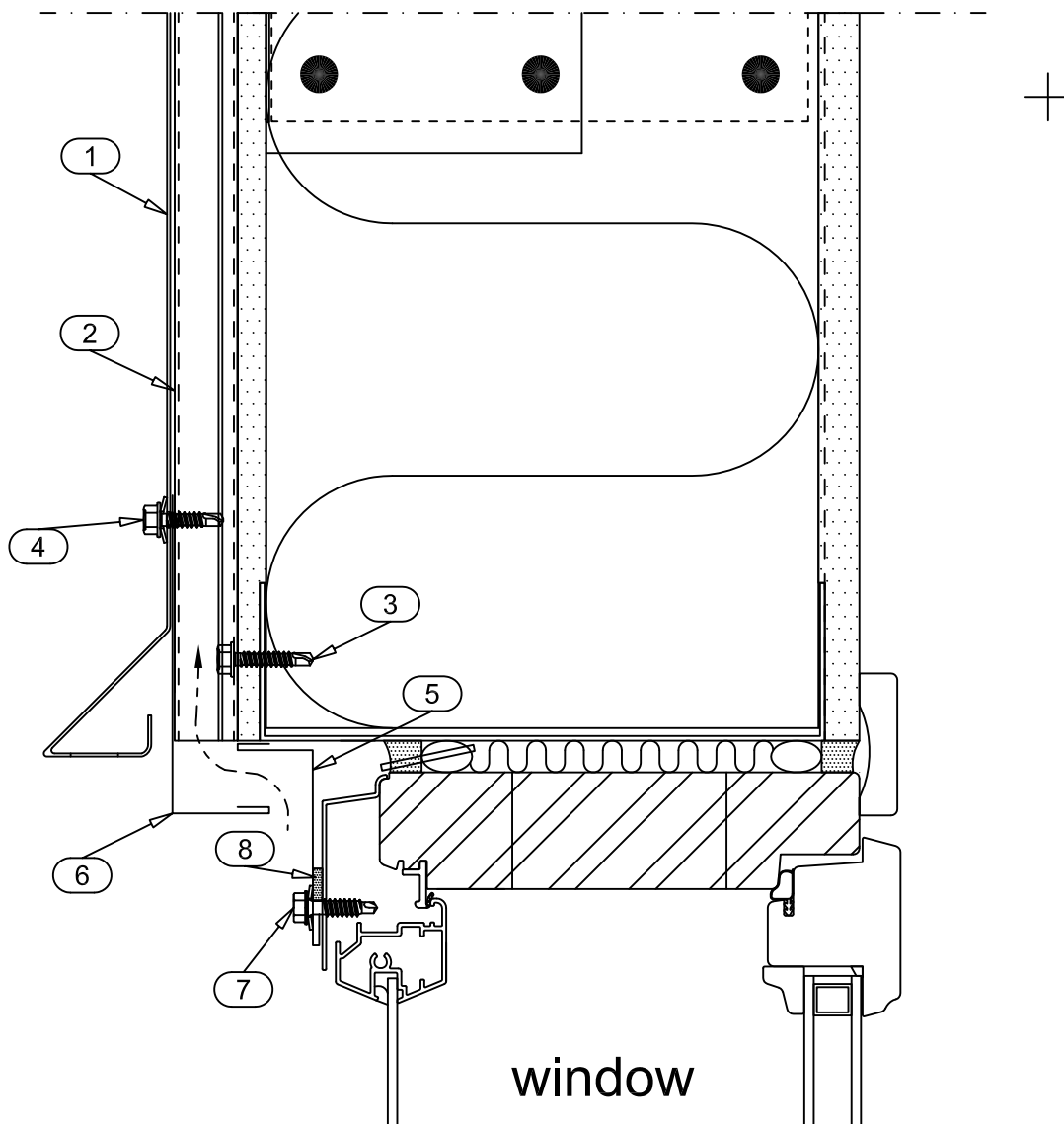
Date 12.08.2011	Rev. date	Work nr.	Drw. nr. CL40DE-10	Rev.
Drawn by Ruukki	Rev.			
Scale 1:2.5	Building		File nr.	



- 1. LAMELLA SHARP 40
- 2. SUPPORT STUD CA1SS1
- 3. SCREW S1H48025D03 (SFS intec SD3-4.8x25)
- 4. SCREW S3H48020D03A4 (SFS intec SD3-S-A14-4.8x20)
- 5. STORM FLASHING CA1ST1X
- 6. SUPPORT FLASHING CA1SU1X
- 7. SILL FLASHING CA1S1X
- 8. SCREW S3H48035WA4 (SFS intec SW2-S-A14-4.8x35)

DELIVERY OF RUUKKI

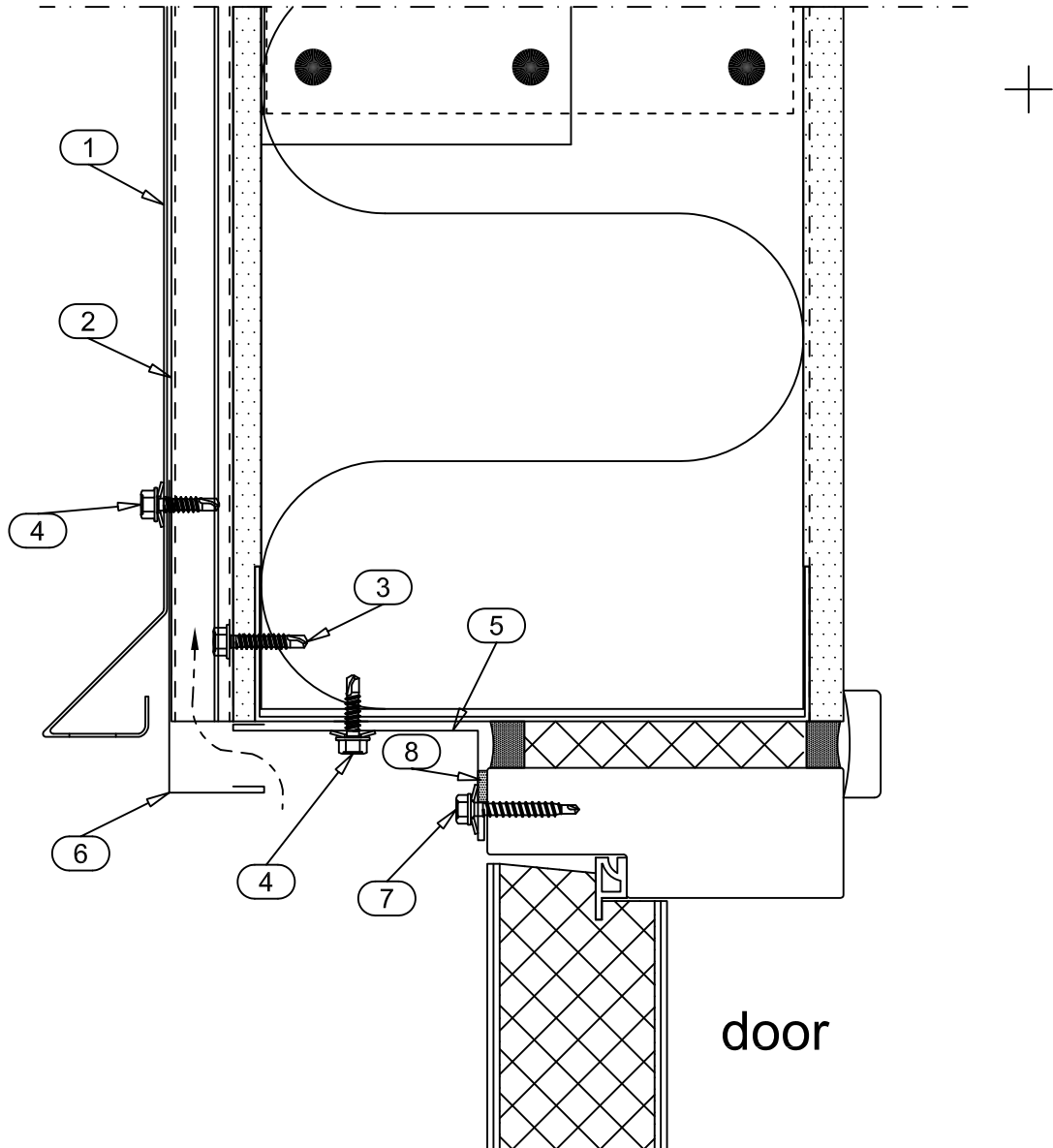
Date 12.08.2011	Rev. date	Work nr.	Drw. nr. CL40DE-11	Rev.
Drawn by Ruukki	Rev.			
Scale 1:2.5	Building		File nr.	



- 1. LAMELLA SHARP 40
- 2. SUPPORT STUD CA1SS1
- 3. SCREW S1H48025D03 (SFS intec SD3-4.8x25)
- 4. SCREW S3H48020D03A4 (SFS intec SD3-S-A14-4.8x20)
- 5. COVER FLASHING CA1C10X
- 6. COVER FLASHING CA1C8X
- 7. SCREW S3H55022L02A4 (SFS intec SL2-S-A14-5.5x22)
- 8. SEALING STRIP EA3SS410

DELIVERY OF RUUKKI

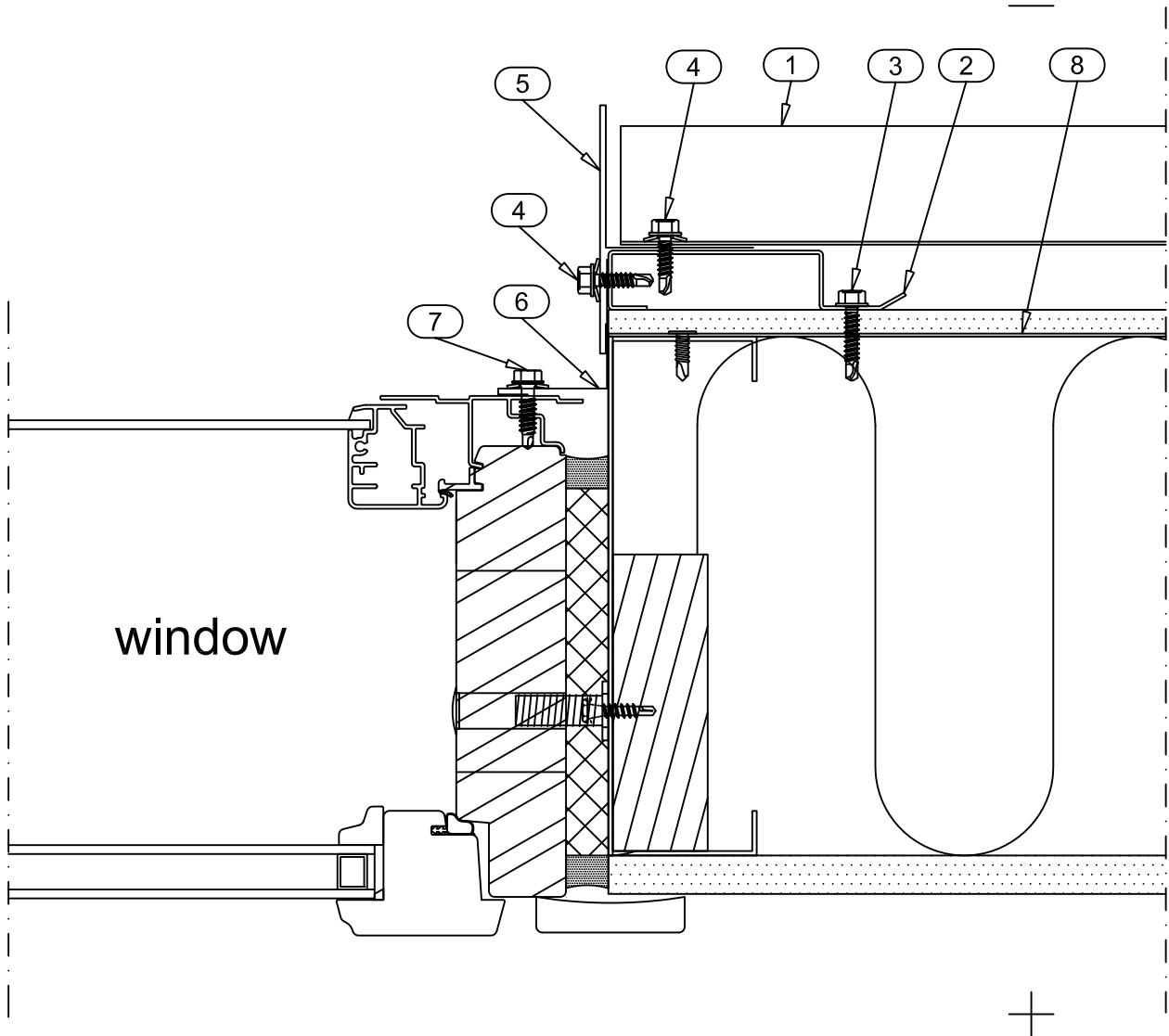
Date 12.08.2011	Rev. date	Work nr.	Drw. nr. CL40DE-12	Rev.
Drawn by Ruukki	Rev.			
Scale 1:2.5	Building		File nr.	



- 1. LAMELLA SHARP 40
- 2. SUPPORT STUD CA1SS1
- 3. SCREW S1H48025D03 (SFS intec SD3-4.8x25)
- 4. SCREW S3H48020D03A4 (SFS intec SD3-S-A14-4.8x20)
- 5. COVER FLASHING CA1C10X
- 6. COVER FLASHING CA1C8X
- 7. SCREW S3H48035WA4 (SFS intec SW2-S-A14-4.8x35)
- 8. SEALING STRIP EA3SS410

DELIVERY OF RUUKKI

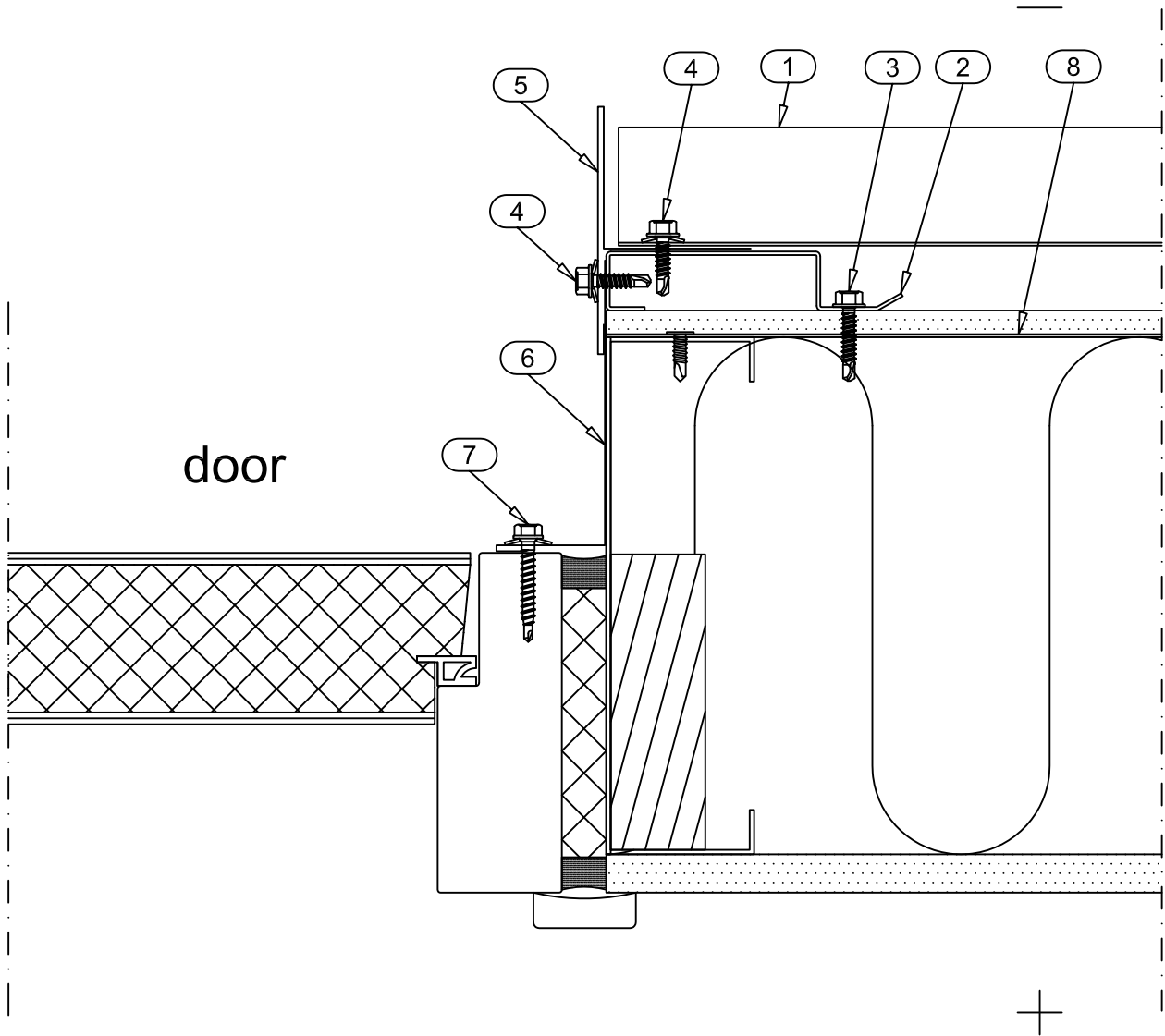
Date 12.08.2011	Rev. date	Work nr.	Drw. nr. CL40DE-13	Rev.
Drawn by Ruukki	Rev.			
Scale 1:2.5	Building		File nr.	



- 1. LAMELLA SHARP 40
- 2. SUPPORT STUD CA1RS1
- 3. SCREW S1H48025D03 (SFS intec SD3-4.8x25)
- 4. SCREW S3H48020D03A4 (SFS intec SD3-S-A14-4.8x20)
- 5. COVER FLASHING CA1C3X
- 6. COVER FLASHING CA1C12X
- 7. SCREW S3H55022L02A4 (SFS intec SL2-S-A14-5.5x22)
- 8. HORIZONTAL BRACE STRIP (for fastening studs)

DELIVERY OF RUUKKI

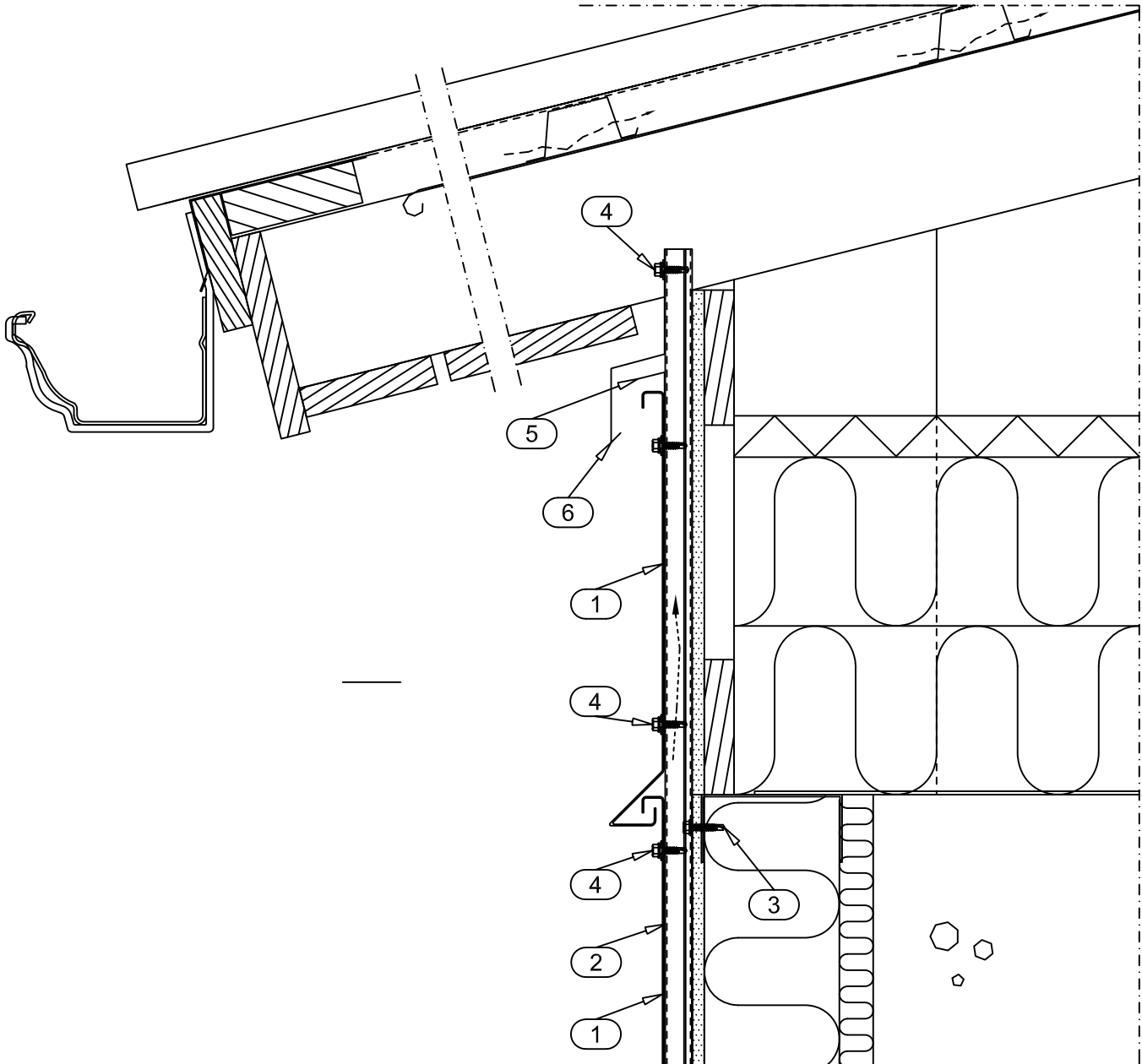
Date 12.08.2011	Rev. date	Work nr.	Drw. nr. CL40DE-14	Rev.
Drawn by Ruukki	Rev.			
Scale 1:2.5	Building		File nr.	



- 1. LAMELLA SHARP 40
- 2. SUPPORT STUD CA1RS1
- 3. SCREW S1H48025D03 (SFS intec SD3-4.8x25)
- 4. SCREW S3H48020D03A4 (SFS intec SD3-S-A14-4.8x20)
- 5. COVER FLASHING CA1C3X
- 6. COVER FLASHING CA1C12X
- 7. SCREW S3H48035WA4 (SFS intec SW2-S-A14-4.8x35)
- 8. HORIZONTAL BRACE STRIP (for fastening studs)

DELIVERY OF RUUKKI

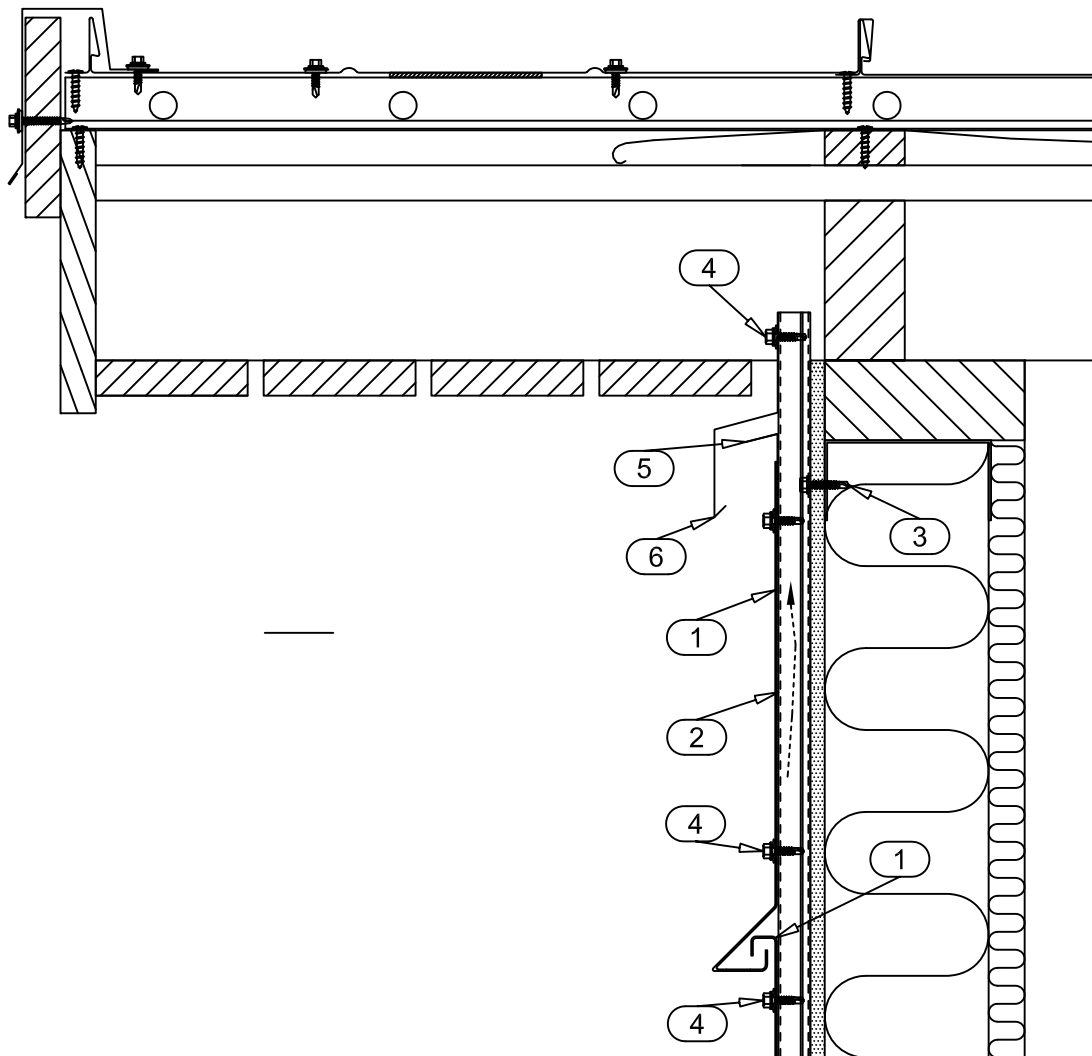
Date 12.08.2011	Rev. date	Work nr.	Drw. nr. CL40DE-15	Rev.
Drawn by Ruukki	Rev.			
Scale 1:5	Building		File nr.	



- 1. LAMELLA SHARP 40
- 2. SUPPORT STUD CA1SS1
- 3. SCREW S1H48025D03 (SFS intec SD3-4.8x25)
- 4. SCREW S3H48020D03A4 (SFS intec SD3-S-A14-4.8x20)
- 5. STORM FLASHING CA1ST1X
- 6. EAVES FLASHING CA1E1X

DELIVERY OF RUUKKI

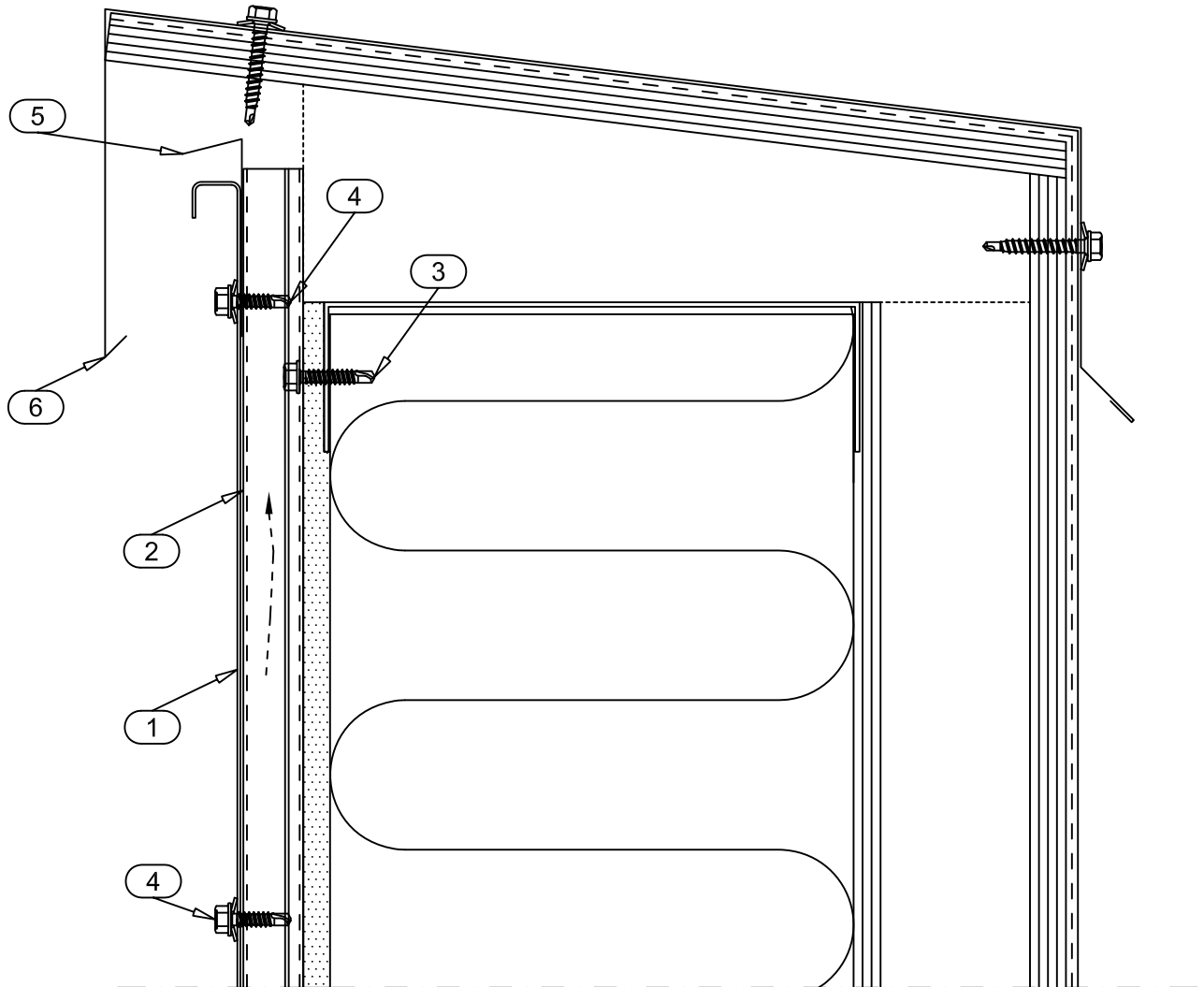
Date 12.08.2011	Rev. date	Work nr.	Drw. nr. CL40DE-16	Rev.
Drawn by Ruukki	Rev.			
Scale 1:5	Building		File nr.	



- 1. LAMELLA SHARP 40
- 2. SUPPORT STUD CA1SS1
- 3. SCREW S1H48025D03 (SFS intec SD3-4.8x25)
- 4. SCREW S3H48020D03A4 (SFS intec SD3-S-A14-4.8x20)
- 5. STORM FLASHING CA1ST1X
- 6. EAVES FLASHING CA1E1X

DELIVERY OF RUUKKI

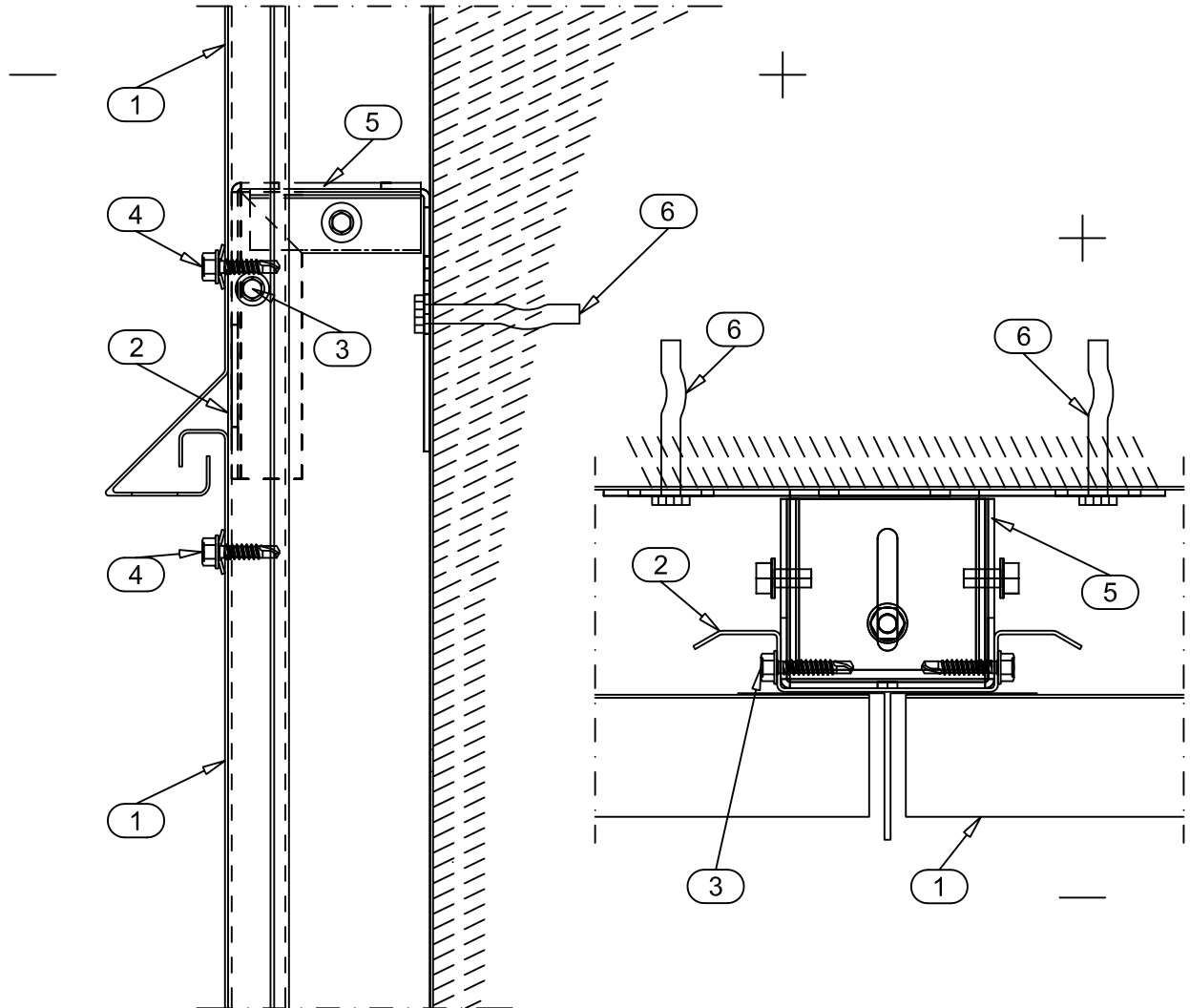
Date 12.08.2011	Rev. date	Work nr.	Drw. nr. CL40DE-17	Rev.
Drawn by Ruukki	Rev.			
Scale 1:2.5	Building		File nr.	



- 1. LAMELLA SHARP 40
- 2. SUPPORT STUD CA1SS1
- 3. SCREW S1H48025D03 (SFS intec SD3-4.8x25)
- 4. SCREW S3H48020D03A4 (SFS intec SD3-S-A14-4.8x20)
- 5. STORM FLASHING CA1ST1X
- 6. EAVES FLASHING CA1E2X

DELIVERY OF RUUKKI

Date 12.08.2011	Rev. date	Work nr.	Drw. nr. CL40DE-18	Rev.
Drawn by Ruukki	Rev.			
Scale 1:2.5	Building		File nr.	



- 1. LAMELLA SHARP 40
- 2. SUPPORT STUD CA1SS1
- 3. SCREW S1H48025D03 (SFS intec SD3-4.8x25)
- 4. SCREW S3H48020D03A4 (SFS intec SD3-S-A14-4.8x20)
- 5. ADJUSTABLE FASTENER CAFRSP
- 6. FASTENER

DELIVERY OF RUUKKI