
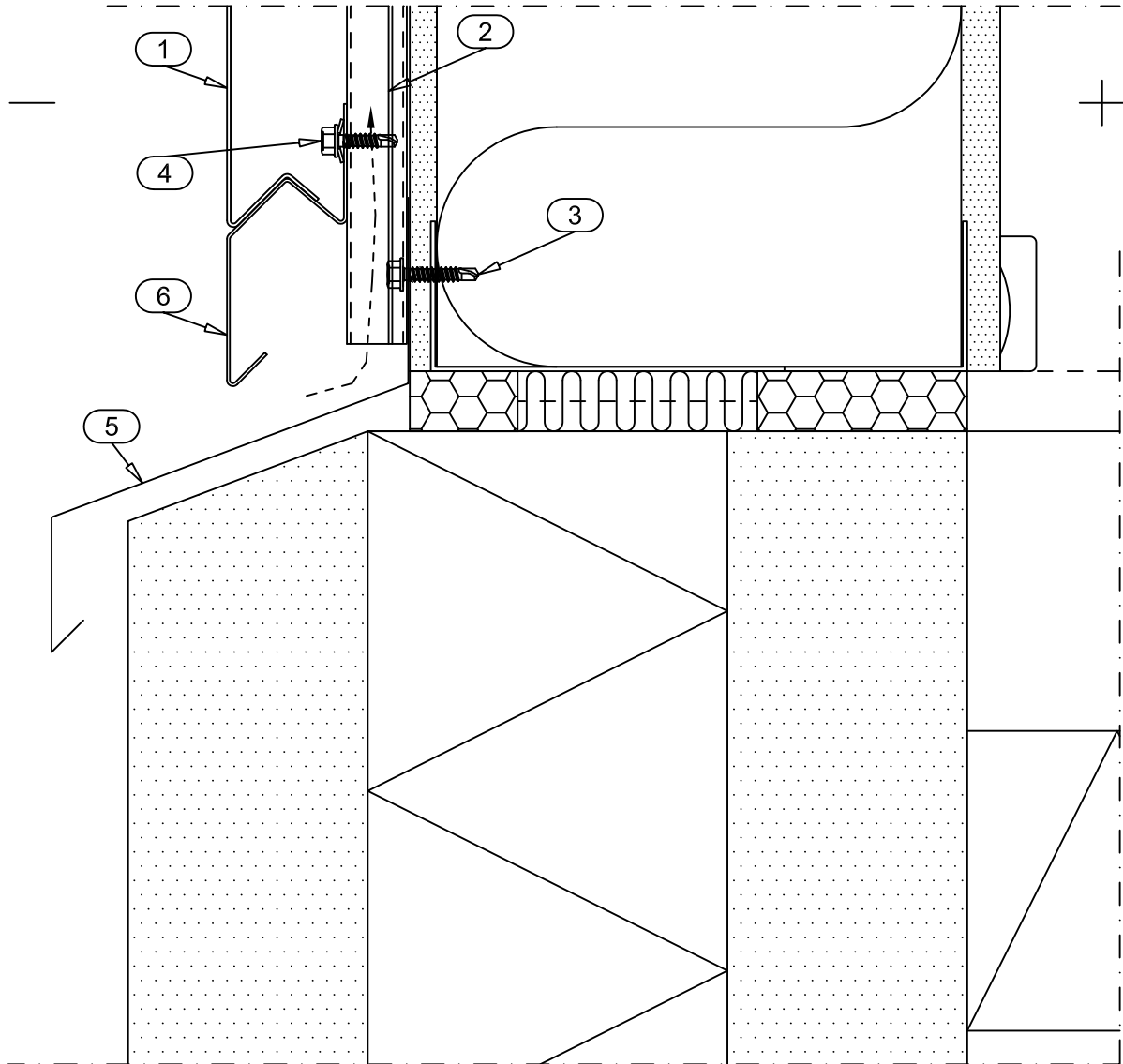


Drw. nr.	Contents of drawing	Date	Rev.	Rev. date
CL20DE-1	Plinth, vertical section	12.08.2011	.	.
CL20DE-2	Horizontal joint, vertical section	12.08.2011	.	.
CL20DE-3	Vertical joint, horizontal section	12.08.2011	.	.
CL20DE-4	Vertical joint, horizontal section	12.08.2011	.	.
CL20DE-5	Vertical joint, horizontal section	12.08.2011	.	.
CL20DE-6	External corner, horizontal section	12.08.2011	.	.
CL20DE-7	External corner, horizontal section	12.08.2011	.	.
CL20DE-8	External corner, horizontal section	12.08.2011	.	.
CL20DE-9	External corner, horizontal section	12.08.2011	.	.
CL20DE-10	Internal corner, horizontal section	12.08.2011	.	.
CL20DE-11	Internal corner, horizontal section	12.08.2011	.	.
CL20DE-12	Internal corner, horizontal section	12.08.2011	.	.
CL20DE-13	Lower edge of window, vertical section	12.08.2011	.	.
CL20DE-14	Upper edge of window, vertical section	12.08.2011	.	.
CL20DE-15	Upper edge of door, vertical section	12.08.2011	.	.
CL20DE-16	Vertical edge of window, horizontal section	12.08.2011	.	.
CL20DE-17	Vertical edge of window, horizontal section	12.08.2011	.	.
CL20DE-18	Vertical edge of door, horizontal section	12.08.2011	.	.
CL20DE-19	Vertical edge of door, horizontal section	12.08.2011	.	.
CL20DE-20	Side eaves, vertical section	12.08.2011	.	.
CL20DE-21	Gable eaves, vertical section	12.08.2011	.	.
CL20DE-22	Short eaves, vertical section	12.08.2011	.	.
CL20DE-23	Horizontal and vertical joint, support studs fastened by adjustable fastener	12.08.2011	.	.

City sector		Block	Site/Reg. nr.	File nr.	
Building type			Drawing type		Nr.
Building, Name and address			Contents of drawing		Scale
			Lamella groove 20		
			BASE DETAIL DRAWINGS		
Date 12.08.2011	Designer Ruukki		Work nr.	Work nr.	Drw. nr.
Drawn by	Checked				Rev.

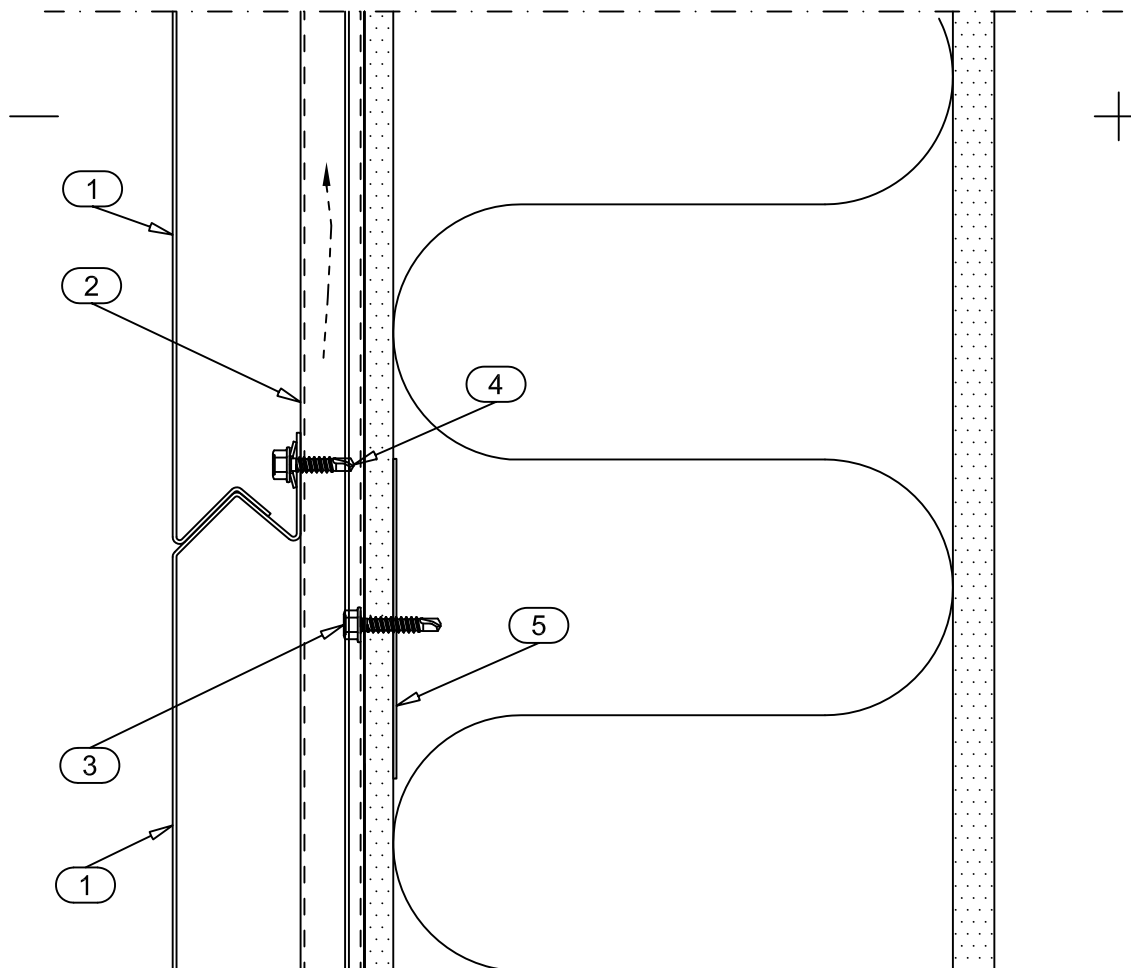
Date 12.08.2011	Rev. date	Work nr.	Drw. nr. CL20DE-1	Rev.
Drawn by Ruukki	Rev.			
Scale 1:2.5	Building		File nr.	



- 1. LAMELLA GROOVE 20
- 2. SUPPORT STUD CA1SS1
- 3. SCREW S1H48025D03 (SFS intec SD3-4.8x25)
- 4. SCREW S3H48020D03A4 (SFS intec SD3-S-A14-4.8x20)
- 5. PLINTH FLASHING CA1P1X
- 6. STARTING FILLET CA1SF3

- DELIVERY OF RUUKKI

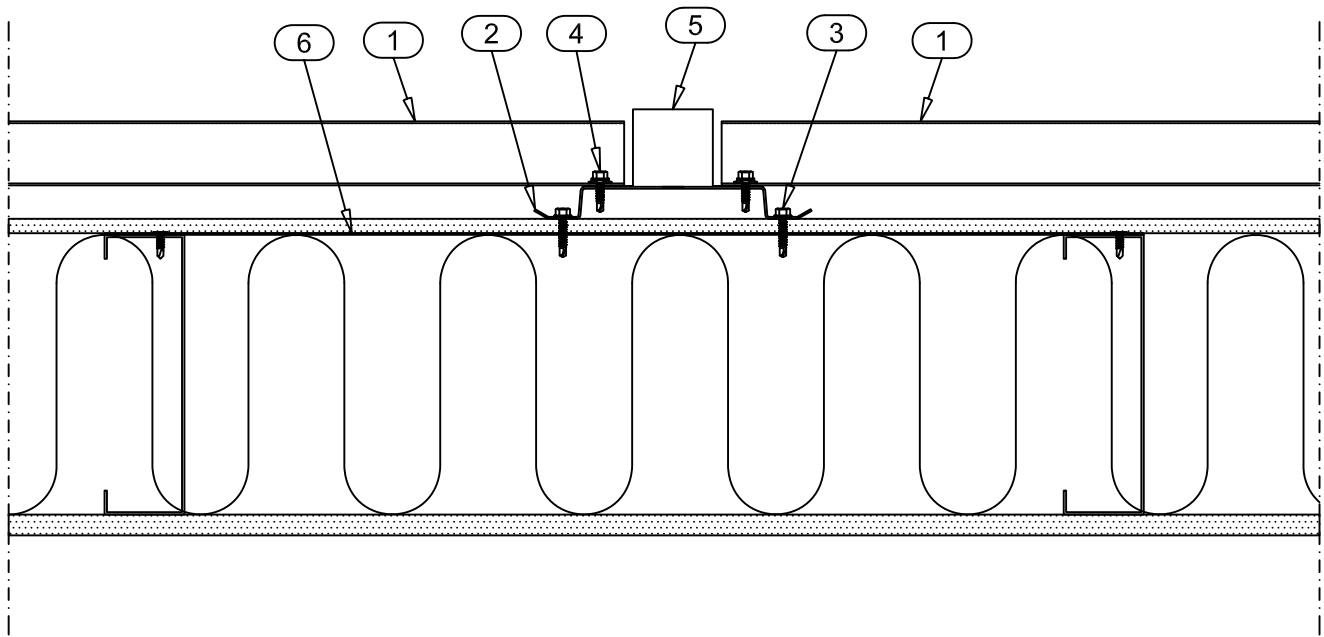
Date 12.08.2011	Rev. date	Work nr.	Drw. nr. CL20DE-2	Rev.
Drawn by Ruukki	Rev.			
Scale 1:2.5	Building		File nr.	



- 1. LAMELLA GROOVE 20
- 2. SUPPORT STUD CA1SS1
- 3. SCREW S1H48025D03 (SFS intec SD3-4.8x25)
- 4. SCREW S3H48020D03A4 (SFS intec SD3-S-A14-4.8x20)
- 5. HORIZONTAL BRACE STRIP (for fastening studs)

DELIVERY OF RUUKKI

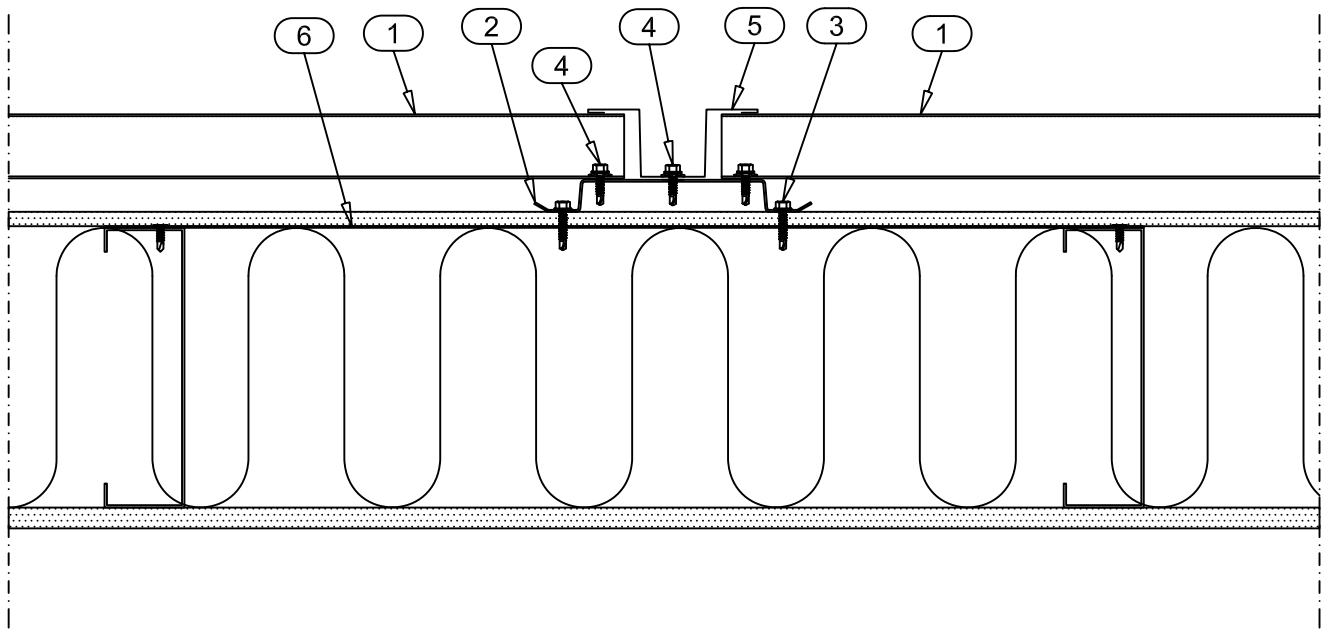
Date 12.08.2011	Rev. date	Work nr.	Drw. nr. CL20DE-3	Rev.
Drawn by Ruukki	Rev.			
Scale 1:5	Building		File nr.	



- 1. LAMELLA GROOVE 20
- 2. SUPPORT STUD CA1SS2
- 3. SCREW S1H48025D03 (SFS intec SD3-4.8x25)
- 4. SCREW S3H48020D03A4 (SFS intec SD3-S-A14-4.8x20)
- 5. VERTICAL JOINT FLASHING CA1VJ14
- 6. HORIZONTAL BRACE STRIP (for fastening studs)

DELIVERY OF RUUKKI

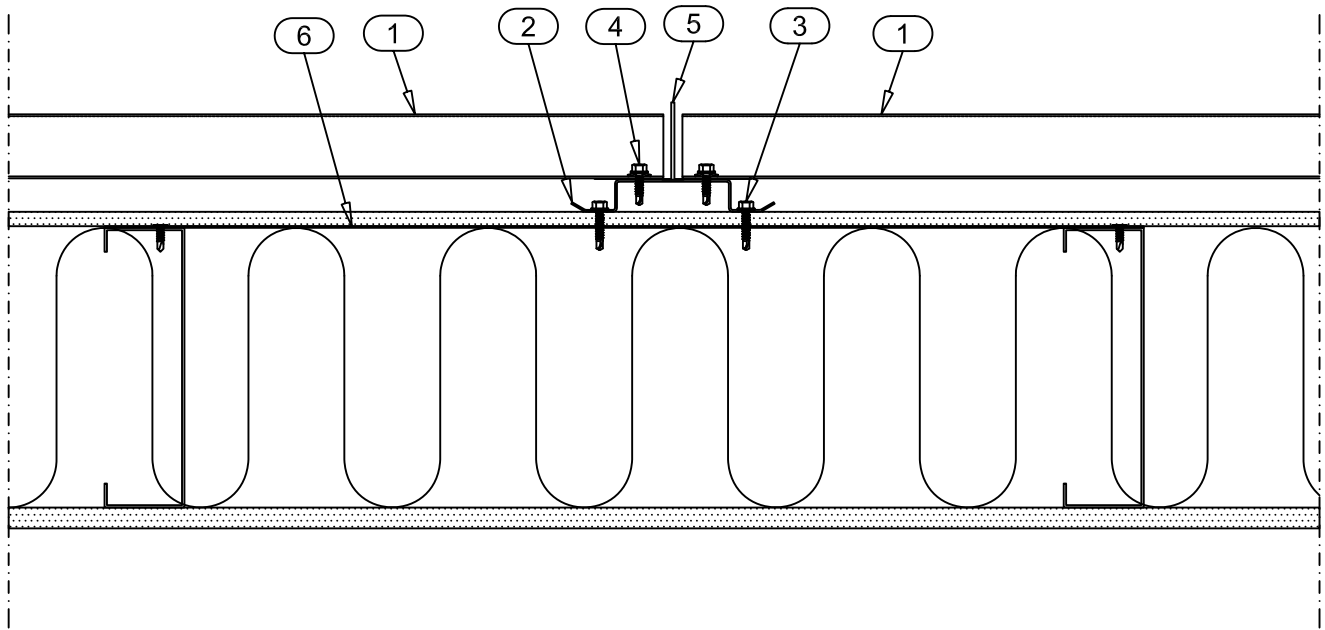
Date 12.08.2011	Rev. date	Work nr.	Drw. nr. CL20DE-4	Rev.
Drawn by Ruukki	Rev.			
Scale 1:5	Building		File nr.	



- 1. LAMELLA GROOVE 20
- 2. SUPPORT STUD CA1SS2
- 3. SCREW S1H48025D03 (SFS intec SD3-4.8x25)
- 4. SCREW S3H48020D03A4 (SFS intec SD3-S-A14-4.8x20)
- 5. VERTICAL JOINT FLASHING CA1VJ8
- 6. HORIZONTAL BRACE STRIP (for fastening studs)

DELIVERY OF RUUKKI

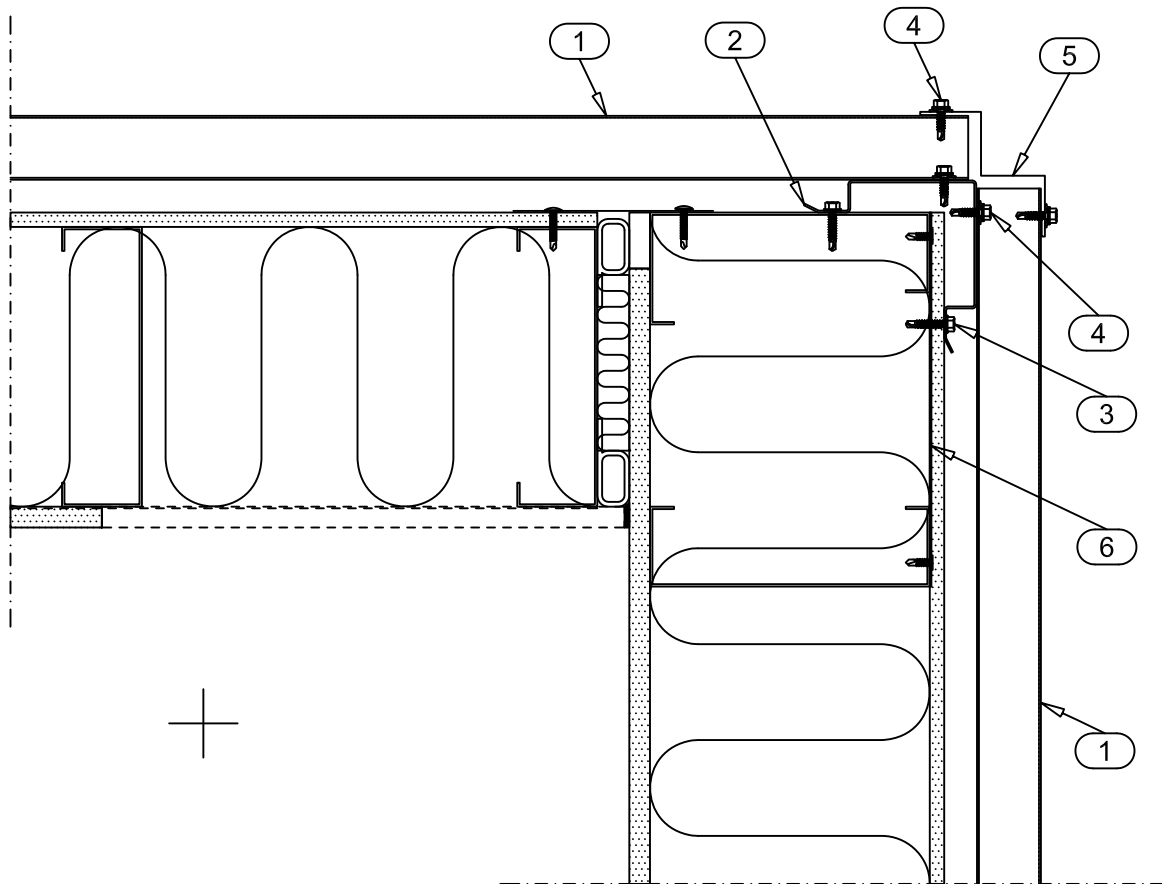
Date 12.08.2011	Rev. date	Work nr.	Drw. nr. CL20DE-5	Rev.
Drawn by Ruukki	Rev.			
Scale 1:5	Building		File nr.	



- 1. LAMELLA GROOVE 20
- 2. SUPPORT STUD CA1SS1
- 3. SCREW S1H48025D03 (SFS intec SD3-4.8x25)
- 4. SCREW S3H48020D03A4 (SFS intec SD3-S-A14-4.8x20)
- 5. VERTICAL JOINT FLASHING CA1VJ6
- 6. HORIZONTAL BRACE STRIP (for fastening studs)

DELIVERY OF RUUKKI

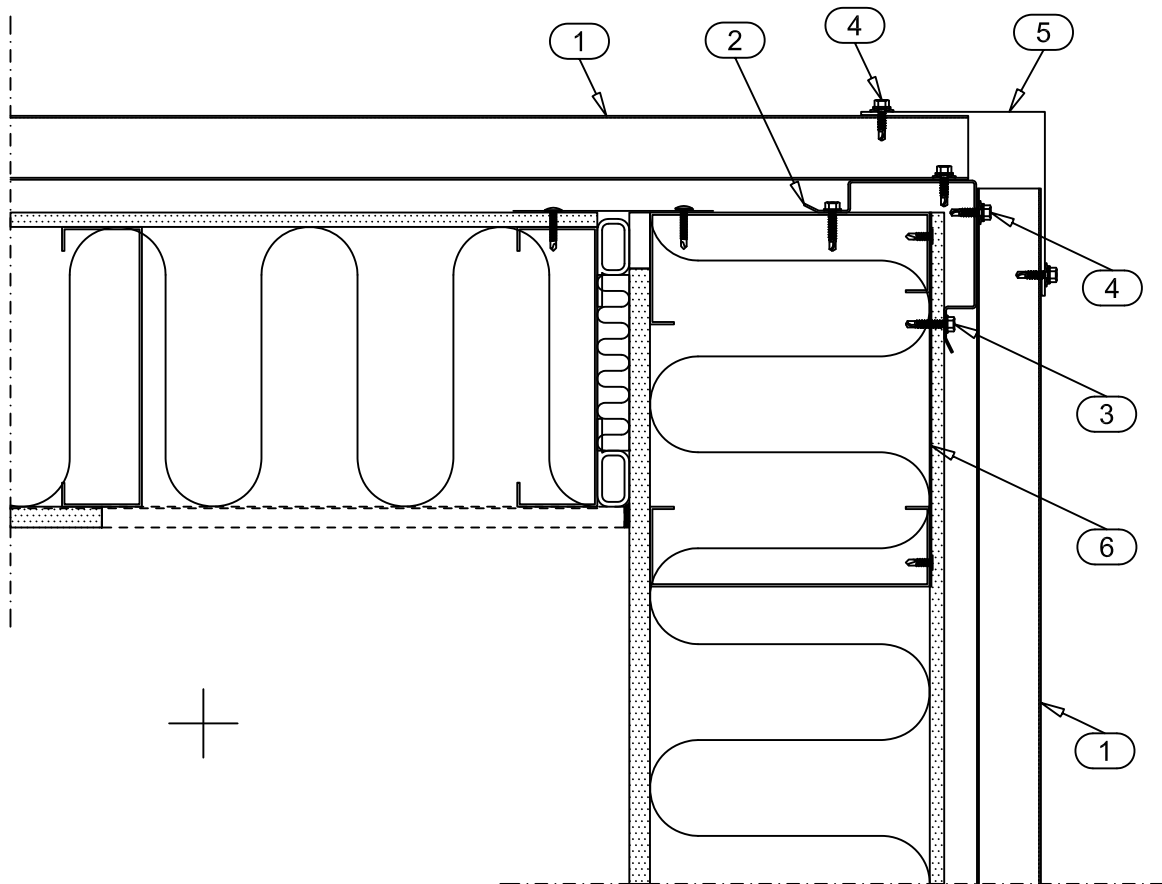
Date 12.08.2011	Rev. date	Work nr.	Drw. nr. CL20DE-6	Rev.
Drawn by Ruukki	Rev.			
Scale 1:5	Building		File nr.	



- 1. LAMELLA GROOVE 20
- 2. SUPPORT STUD CORNER CA1SSC1
- 3. SCREW S1H48025D03 (SFS intec SD3-4.8x25)
- 4. SCREW S3H48020D03A4 (SFS intec SD3-S-A14-4.8x20)
- 5. EXTERNAL CORNER FLASHING CA1EC13
- 6. HORIZONTAL BRACE STRIP (for fastening studs)

DELIVERY OF RUUKKI

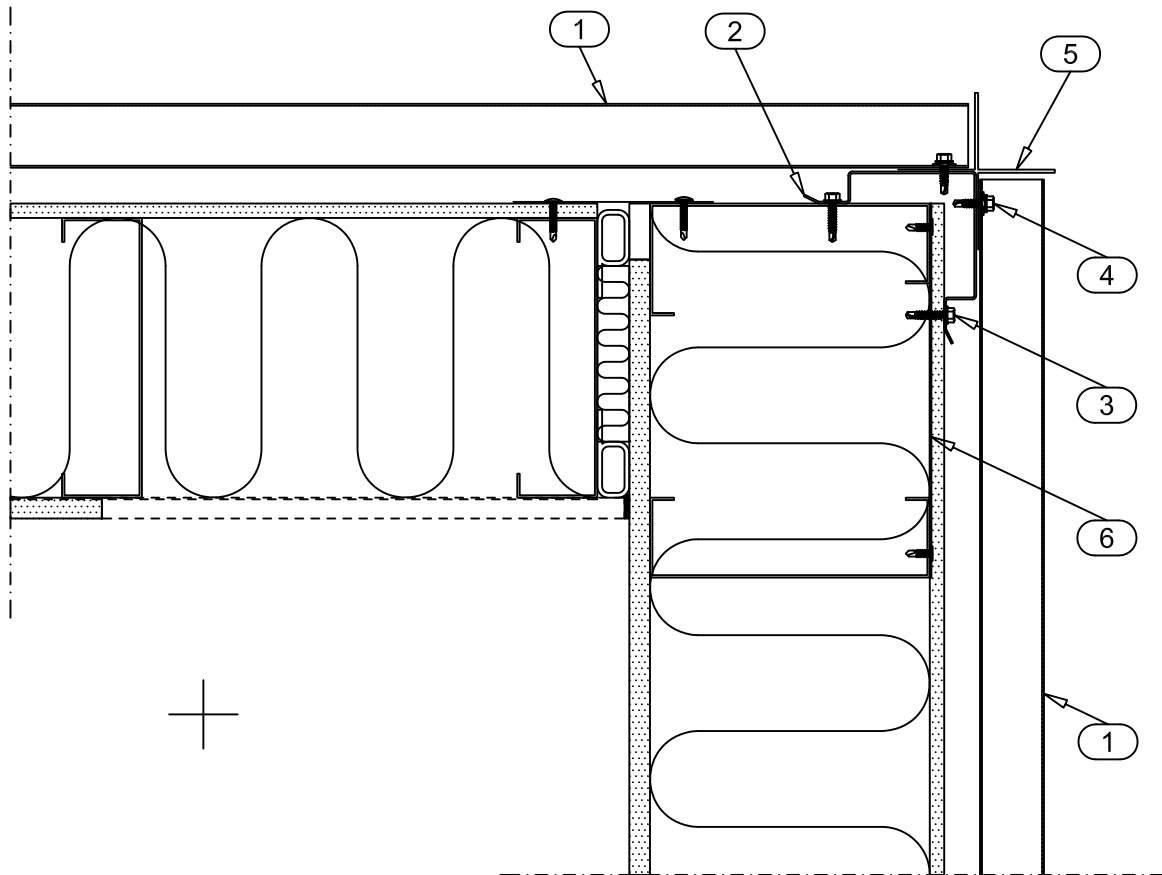
Date 12.08.2011	Rev. date	Work nr.	Drw. nr. CL20DE-7	Rev.
Drawn by Ruukki	Rev.			
Scale 1:5	Building		File nr.	



- 1. LAMELLA GROOVE 20
- 2. SUPPORT STUD CORNER CA1SSC1
- 3. SCREW S1H48025D03 (SFS intec SD3-4.8x25)
- 4. SCREW S3H48020D03A4 (SFS intec SD3-S-A14-4.8x20)
- 5. EXTERNAL CORNER FLASHING CA1EC12X
- 6. HORIZONTAL BRACE STRIP (for fastening studs)

DELIVERY OF RUUKKI

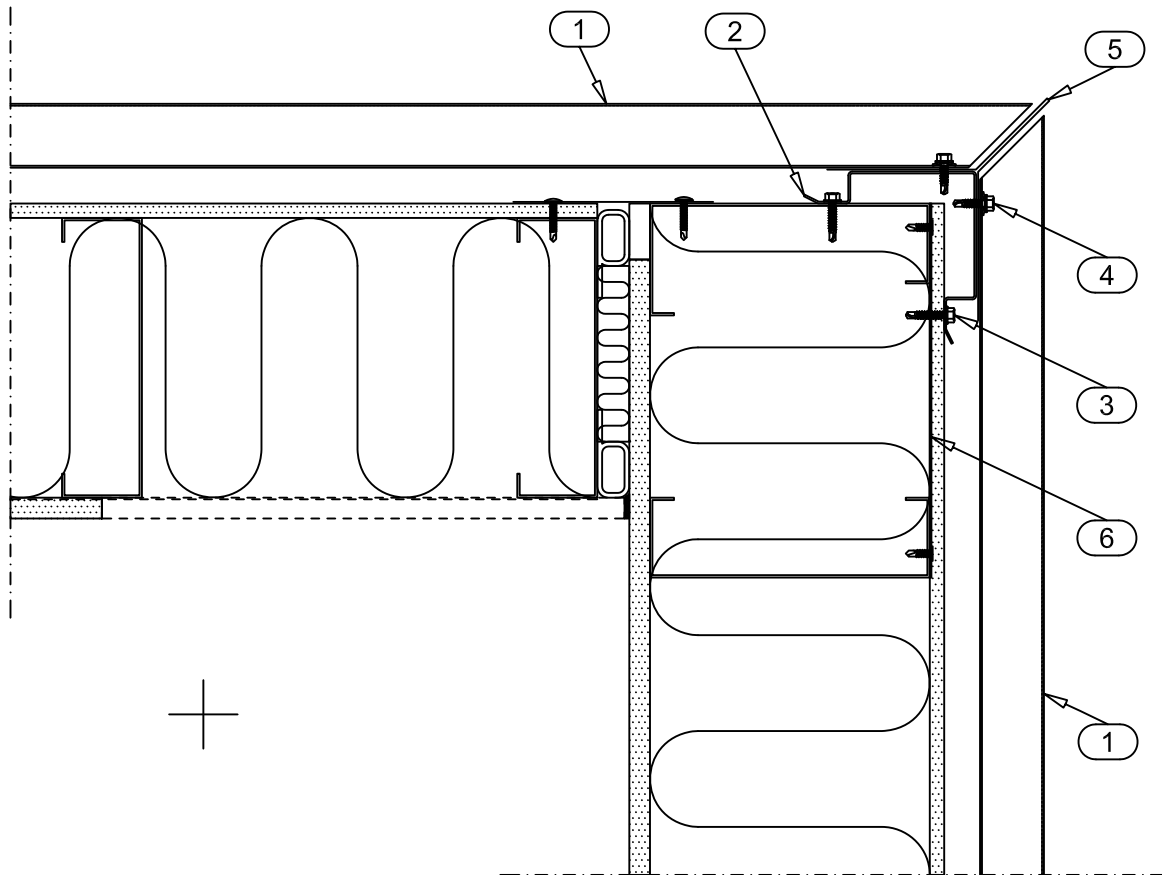
Date 12.08.2011	Rev. date	Work nr.	Drw. nr. CL20DE-8	Rev.
Drawn by Ruukki	Rev.			
Scale 1:5	Building		File nr.	



- 1. LAMELLA GROOVE 20
- 2. SUPPORT STUD CORNER CA1SSC1
- 3. SCREW S1H48025D03 (SFS intec SD3-4.8x25)
- 4. SCREW S3H48020D03A4 (SFS intec SD3-S-A14-4.8x20)
- 5. EXTERNAL CORNER FLASHING CA1EC6
- 6. HORIZONTAL BRACE STRIP (for fastening studs)

DELIVERY OF RUUKKI

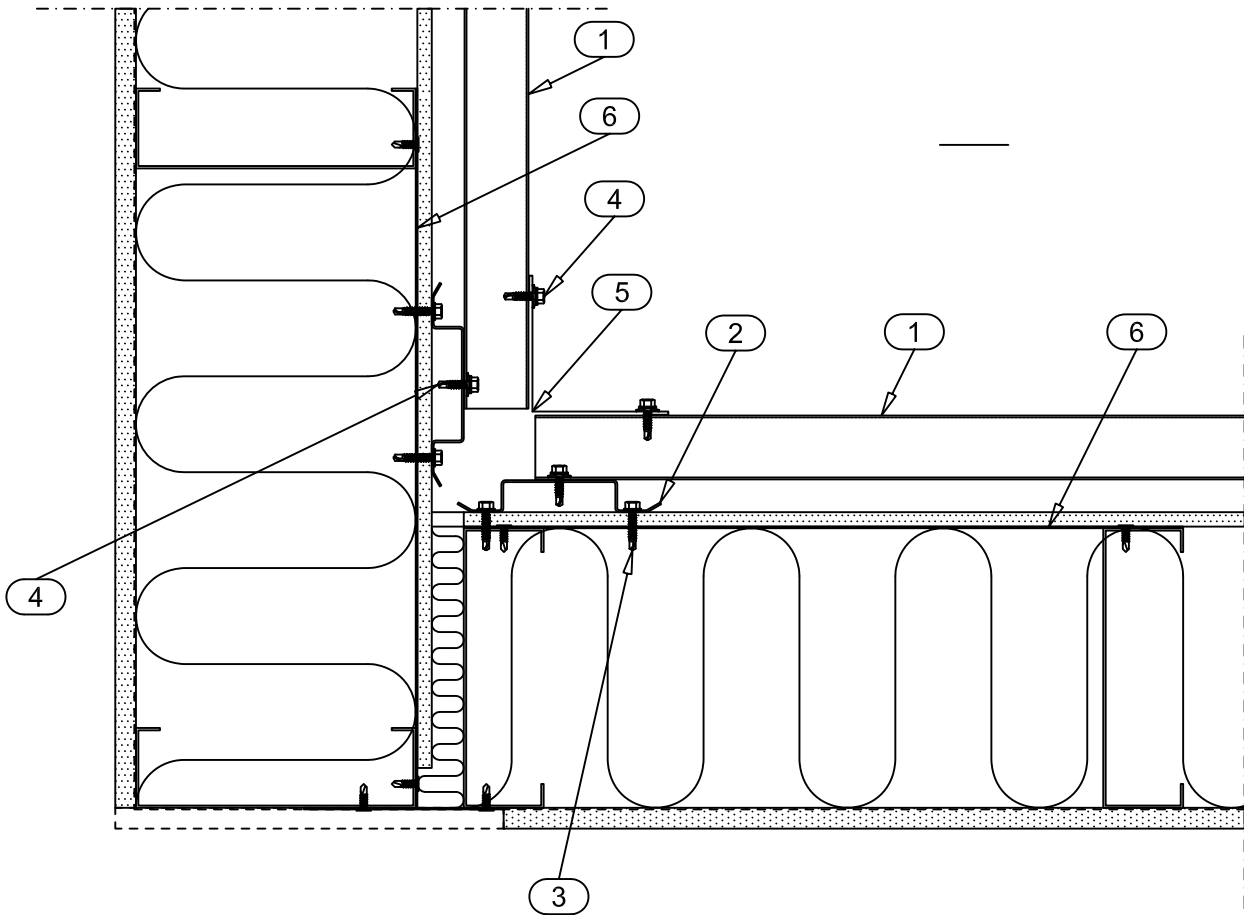
Date 12.08.2011	Rev. date	Work nr.	Drw. nr. CL20DE-9	Rev.
Drawn by Ruukki	Rev.			
Scale 1:5	Building		File nr.	



- 1. LAMELLA GROOVE 20 CORNER
- 2. SUPPORT STUD CORNER CA1SSC1
- 3. SCREW S1H48025D03 (SFS intec SD3-4.8x25)
- 4. SCREW S3H48020D03A4 (SFS intec SD3-S-A14-4.8x20)
- 5. EXTERNAL CORNER FLASHING CA1EC8
- 6. HORIZONTAL BRACE STRIP (for fastening studs)

DELIVERY OF RUUKKI

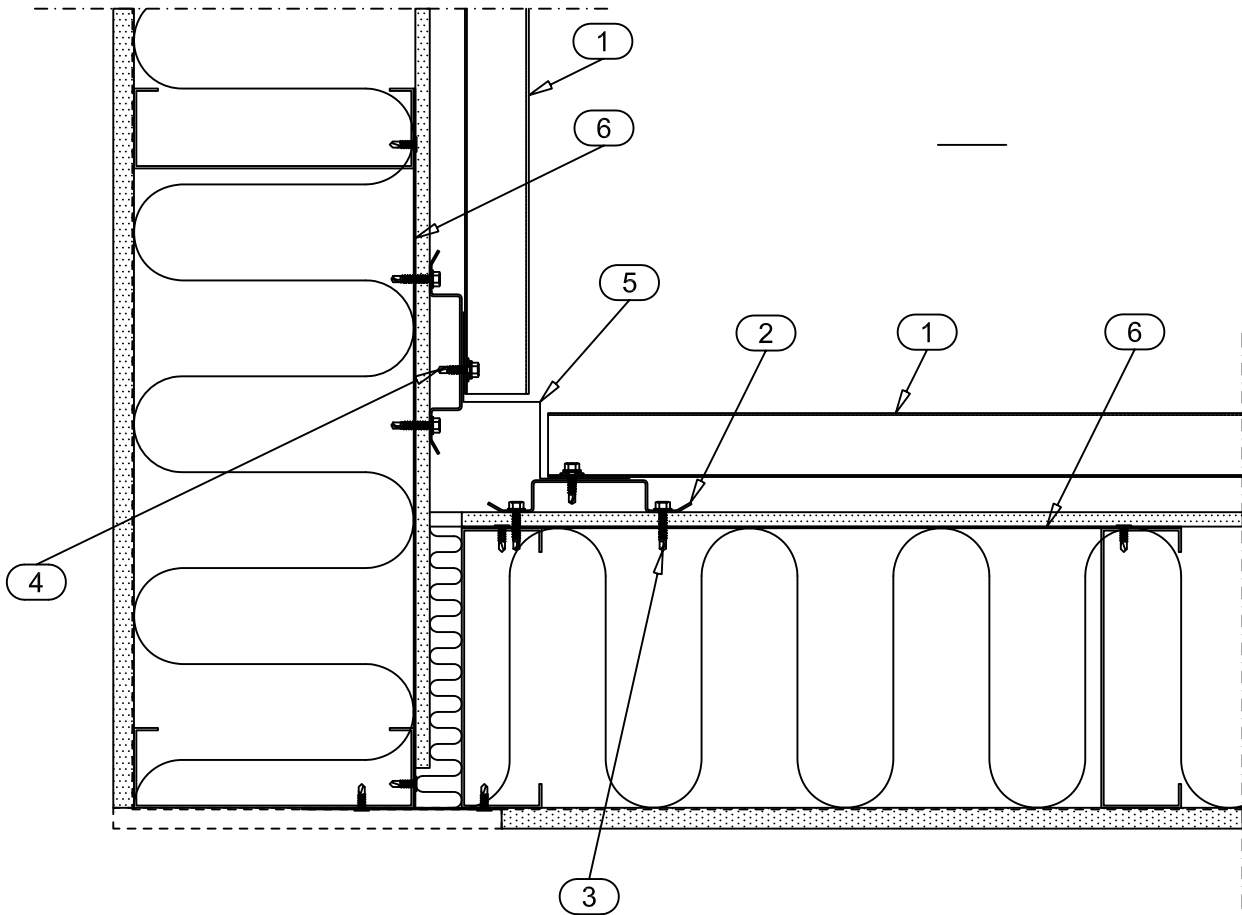
Date 12.08.2011	Rev. date	Work nr.	Drw. nr. CL20DE-10	Rev.
Drawn by Ruukki	Rev.			
Scale 1:5	Building		File nr.	



- 1. LAMELLA GROOVE 20
- 2. SUPPORT STUD CA1SS1
- 3. SCREW S1H48025D03 (SFS intec SD3-4.8x25)
- 4. SCREW S3H48020D03A4 (SFS intec SD3-S-A14-4.8x20)
- 5. INTERNAL CORNER FLASHING CA1IC7X
- 6. HORIZONTAL BRACE STRIP (for fastening studs)

DELIVERY OF RUUKKI

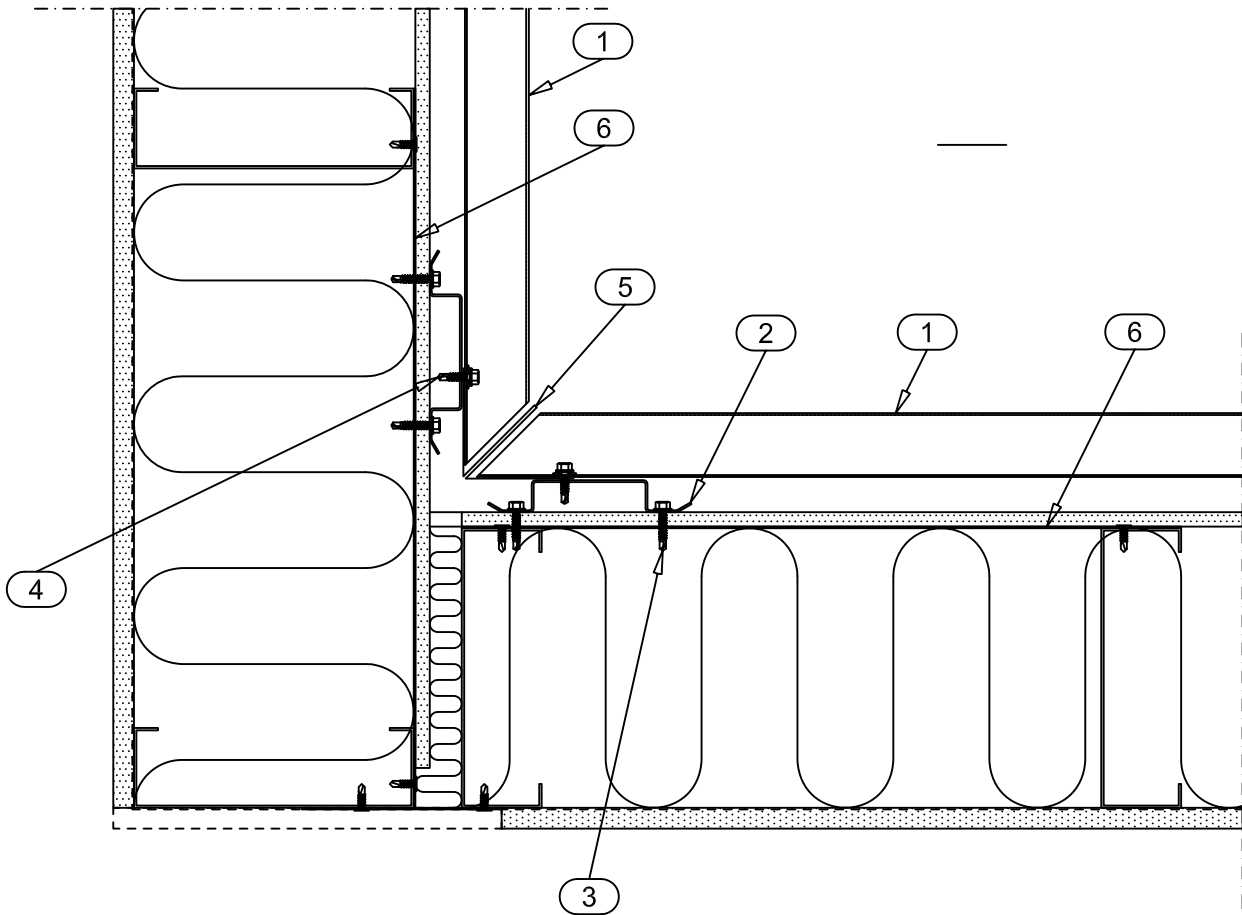
Date 12.08.2011	Rev. date	Work nr.	Drw. nr. CL20DE-11	Rev.
Drawn by Ruukki	Rev.			
Scale 1:5	Building		File nr.	



- 1. LAMELLA GROOVE 20
- 2. SUPPORT STUD CA1SS1
- 3. SCREW S1H48025D03 (SFS intec SD3-4.8x25)
- 4. SCREW S3H48020D03A4 (SFS intec SD3-S-A14-4.8x20)
- 5. INTERNAL CORNER FLASHING CA1IC6
- 6. HORIZONTAL BRACE STRIP (for fastening studs)

DELIVERY OF RUUKKI

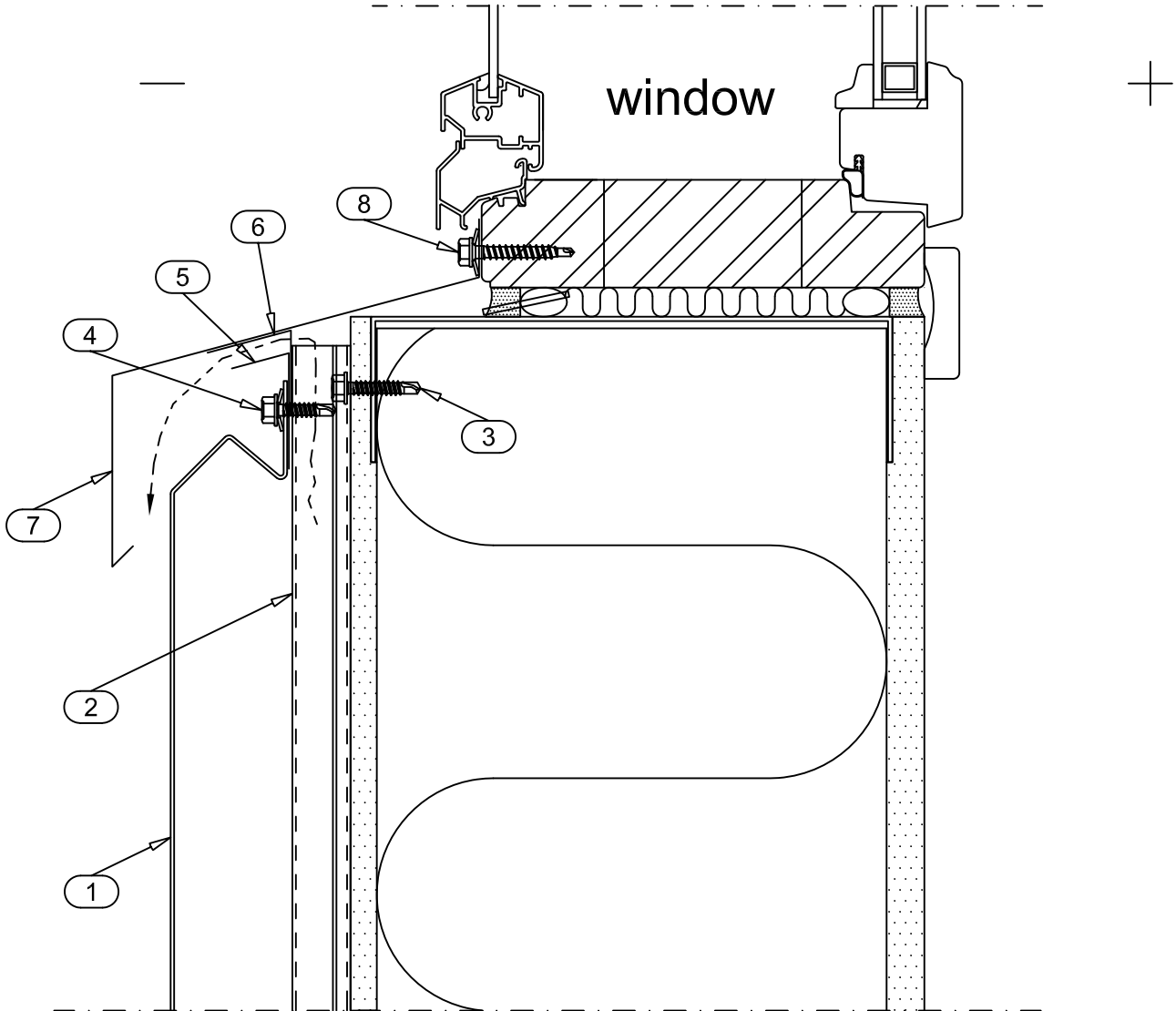
Date 12.08.2011	Rev. date	Work nr.	Drw. nr. CL20DE-12	Rev.
Drawn by Ruukki	Rev.			
Scale 1:5	Building		File nr.	



- 1. LAMELLA GROOVE 20 CORNER
- 2. SUPPORT STUD CA1SS1
- 3. SCREW S1H48025D03 (SFS intec SD3-4.8x25)
- 4. SCREW S3H48020D03A4 (SFS intec SD3-S-A14-4.8x20)
- 5. INTERNAL CORNER FLASHING CA1IC9
- 6. HORIZONTAL BRACE STRIP (for fastening studs)

DELIVERY OF RUUKKI

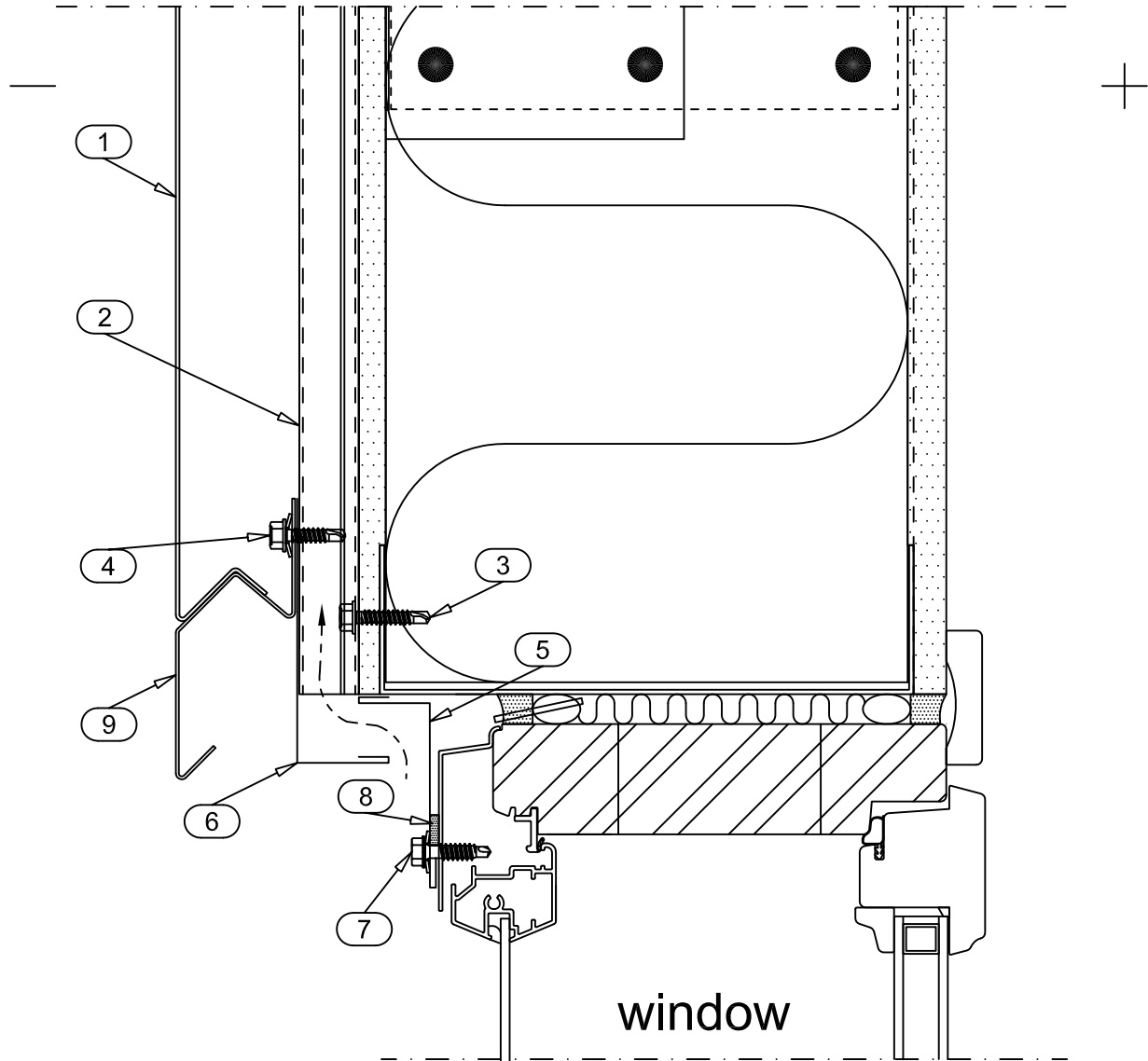
Date 12.08.2011	Rev. date	Work nr.	Drw. nr. CL20DE-13	Rev.
Drawn by Ruukki	Rev.			
Scale 1:2.5	Building		File nr.	



- 1. LAMELLA GROOVE 20
- 2. SUPPORT STUD CA1SS1
- 3. SCREW S1H48025D03 (SFS intec SD3-4.8x25)
- 4. SCREW S3H48020D03A4 (SFS intec SD3-S-A14-4.8x20)
- 5. STORM FLASHING CA1ST1X
- 6. SUPPORT FLASHING CA1SU1X
- 7. SILL FLASHING CA1S1X
- 8. SCREW S3H48035WA4 (SFS intec SW2-S-A14-4.8x35)

DELIVERY OF RUUKKI

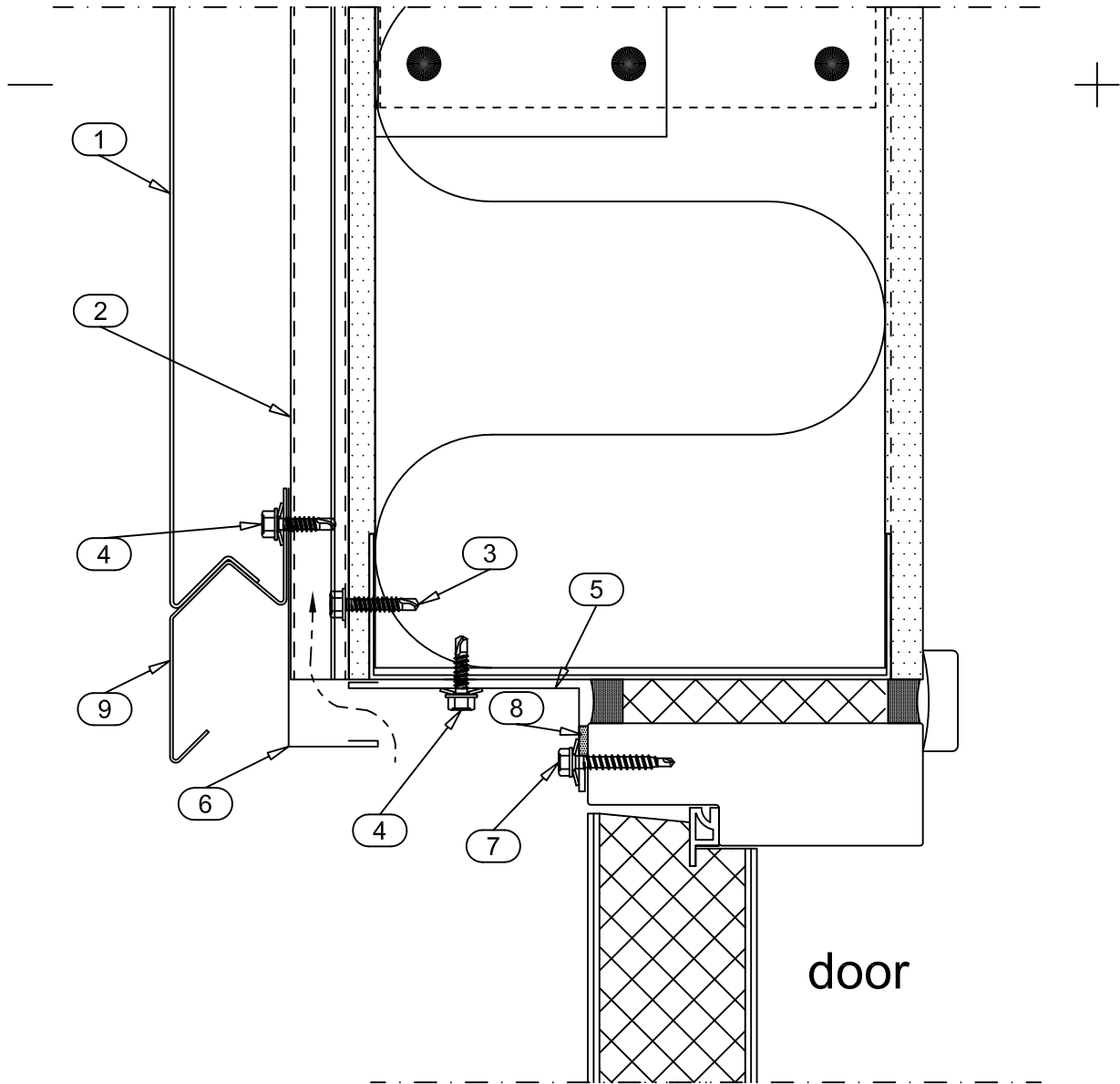
Date 12.08.2011	Rev. date	Work nr.	Drw. nr. CL20DE-14	Rev.
Drawn by Ruukki	Rev.			
Scale 1:2.5	Building		File nr.	



- 1. LAMELLA GROOVE 20
- 2. SUPPORT STUD CA1SS1
- 3. SCREW S1H48025D03 (SFS intec SD3-4.8x25)
- 4. SCREW S3H48020D03A4 (SFS intec SD3-S-A14-4.8x20)
- 5. COVER FLASHING CA1C10X
- 6. COVER FLASHING CA1C8X
- 7. SCREW S3H55022L02A4 (SFS intec SL2-S-A14-5.5x22)
- 8. SEALING STRIP EA3SS410
- 9. STARTING FILLET CA1SF3

DELIVERY OF RUUKKI

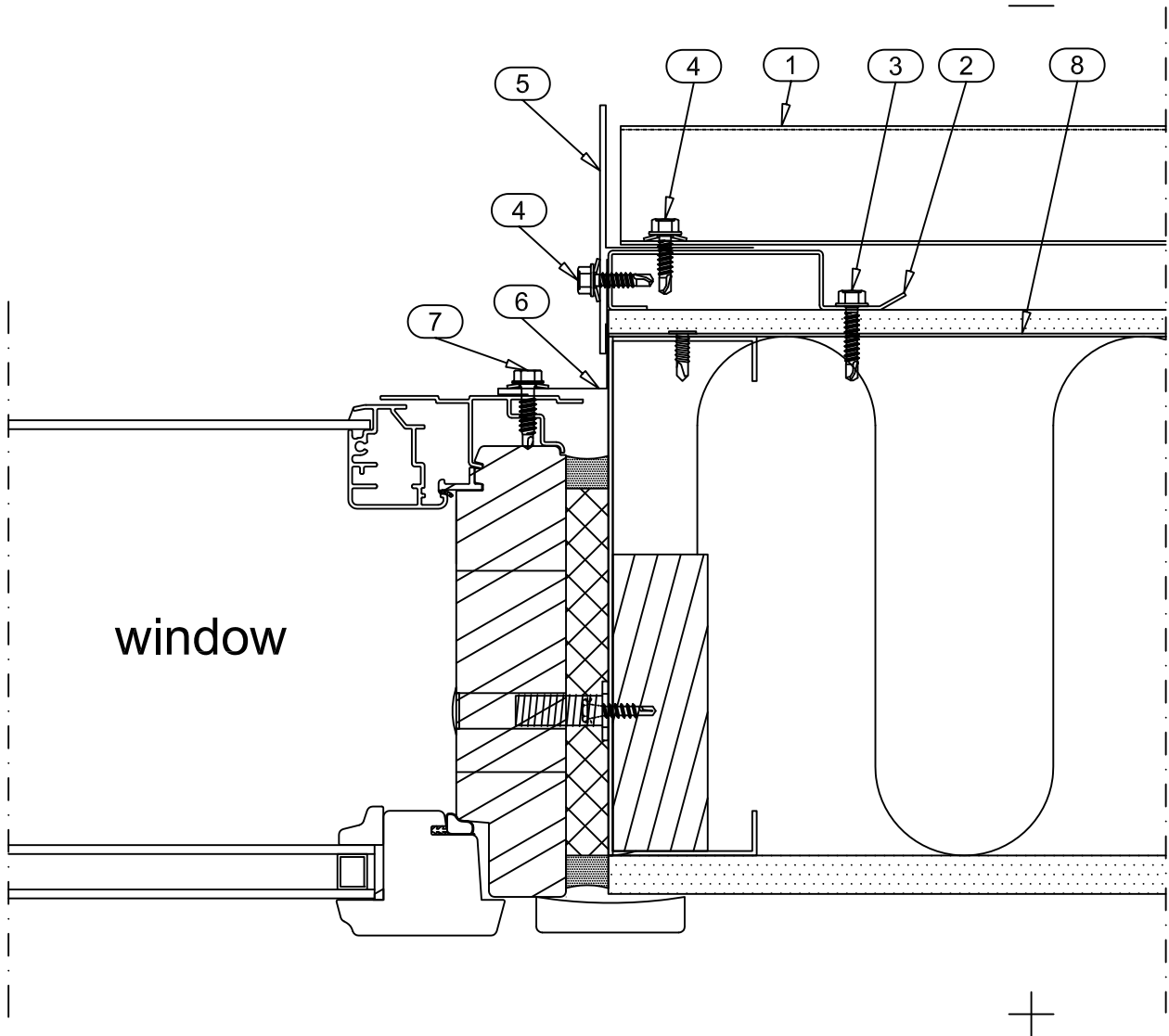
Date 12.08.2011	Rev. date	Work nr.	Drw. nr. CL20DE-15	Rev.
Drawn by Ruukki	Rev.			
Scale 1:2.5	Building		File nr.	



- 1. LAMELLA GROOVE 20
- 2. SUPPORT STUD CA1SS1
- 3. SCREW S1H48025D03 (SFS intec SD3-4.8x25)
- 4. SCREW S3H48020D03A4 (SFS intec SD3-S-A14-4.8x20)
- 5. COVER FLASHING CA1C10X
- 6. COVER FLASHING CA1C8X
- 7. SCREW S3H48035WA4 (SFS intec SW2-S-A14-4.8x35)
- 8. SEALING STRIP EA3SS410
- 9. STARTING FILLET CA1SF3

DELIVERY OF RUUKKI

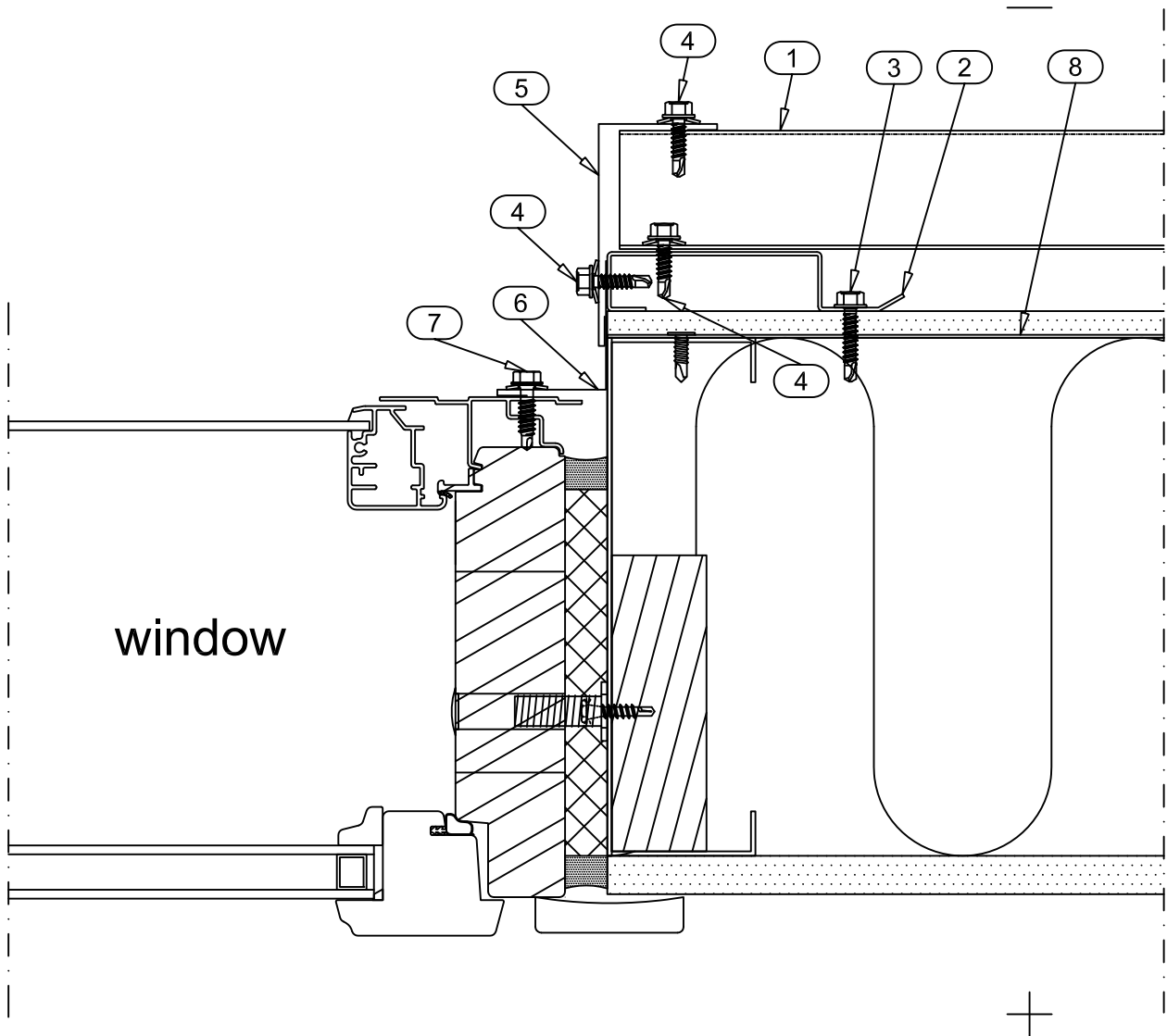
Date 12.08.2011	Rev. date	Work nr.	Drw. nr. CL20DE-16	Rev.
Drawn by Ruukki	Rev.			
Scale 1:2.5	Building		File nr.	



- 1. LAMELLA GROOVE 20
- 2. SUPPORT STUD CA1RS1
- 3. SCREW S1H48025D03 (SFS intec SD3-4.8x25)
- 4. SCREW S3H48020D03A4 (SFS intec SD3-S-A14-4.8x20)
- 5. COVER FLASHING CA1C3X
- 6. COVER FLASHING CA1C12X
- 7. SCREW S3H55022L02A4 (SFS intec SL2-S-A14-5.5x22)
- 8. HORIZONTAL BRACE STRIP (for fastening studs)

DELIVERY OF RUUKKI

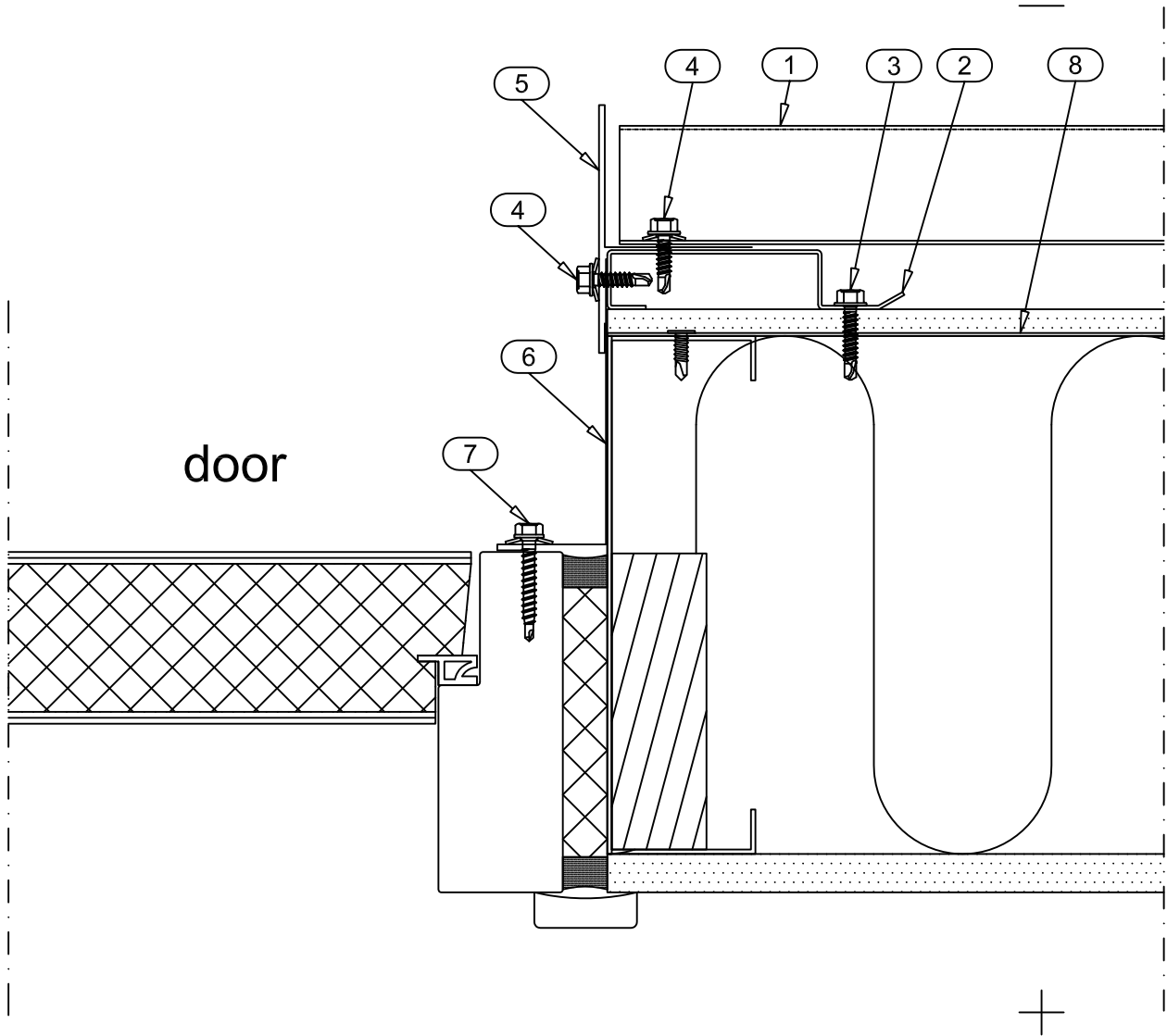
Date 12.08.2011	Rev. date	Work nr.	Drw. nr. CL20DE-17	Rev.
Drawn by Ruukki	Rev.			
Scale 1:2.5	Building		File nr.	



- 1. LAMELLA GROOVE 20
- 2. SUPPORT STUD CA1RS1
- 3. SCREW S1H48025D03 (SFS intec SD3-4.8x25)
- 4. SCREW S3H48020D03A4 (SFS intec SD3-S-A14-4.8x20)
- 5. (EXTERNAL CORNER) FLASHING CA1EC12X
- 6. COVER FLASHING CA1C12X
- 7. SCREW S3H55022L02A4 (SFS intec SL2-S-A14-5.5x22)
- 8. HORIZONTAL BRACE STRIP (for fastening studs)

DELIVERY OF RUUKKI

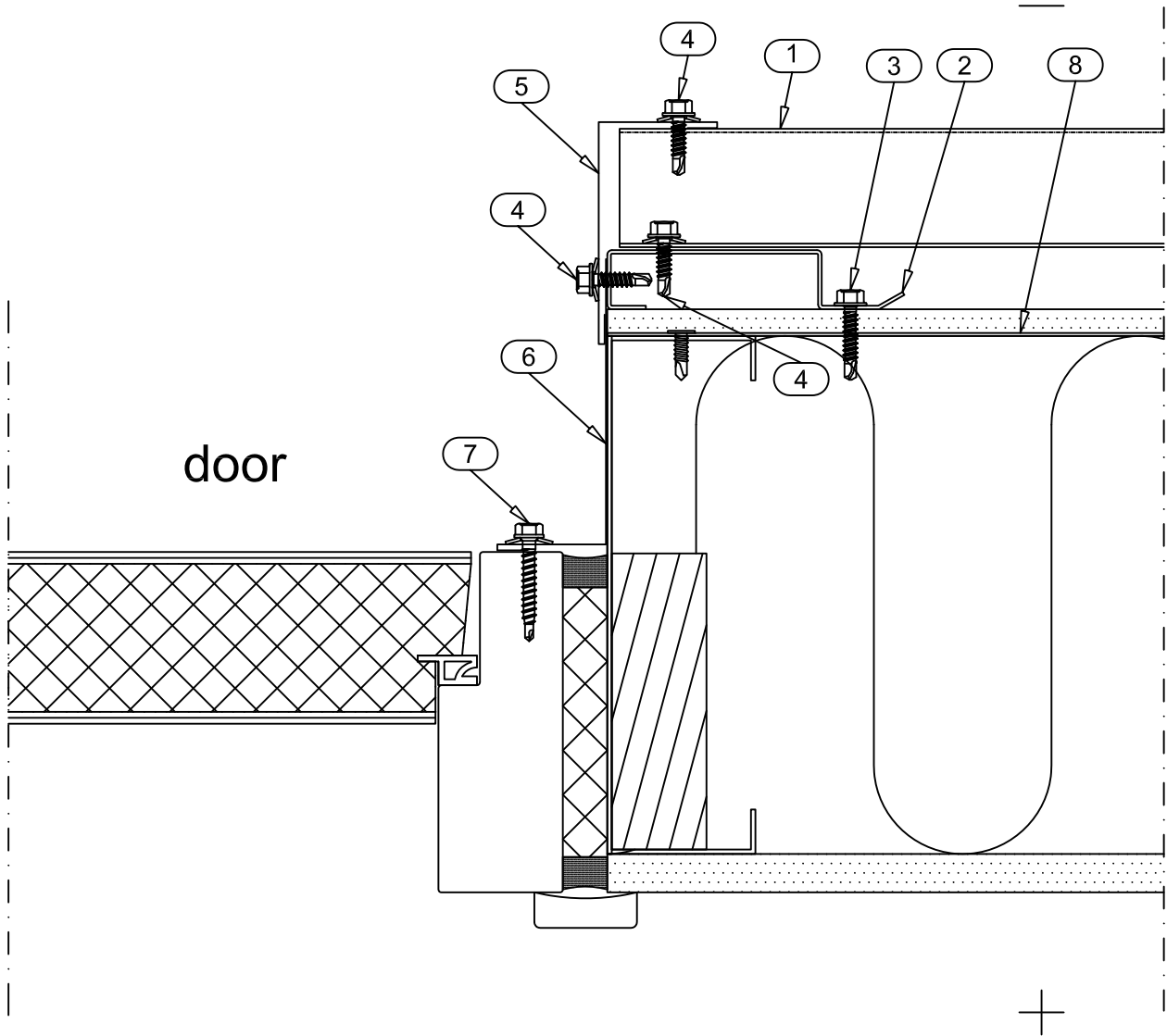
Date 12.08.2011	Rev. date	Work nr.	Drw. nr. CL20DE-18	Rev.
Drawn by Ruukki	Rev.			
Scale 1:2.5	Building		File nr.	



- 1. LAMELLA GROOVE 20
- 2. SUPPORT STUD CA1RS1
- 3. SCREW S1H48025D03 (SFS intec SD3-4.8x25)
- 4. SCREW S3H48020D03A4 (SFS intec SD3-S-A14-4.8x20)
- 5. COVER FLASHING CA1C3X
- 6. COVER FLASHING CA1C12X
- 7. SCREW S3H48035WA4 (SFS intec SW2-S-A14-4.8x35)
- 8. HORIZONTAL BRACE STRIP (for fastening studs)

DELIVERY OF RUUKKI

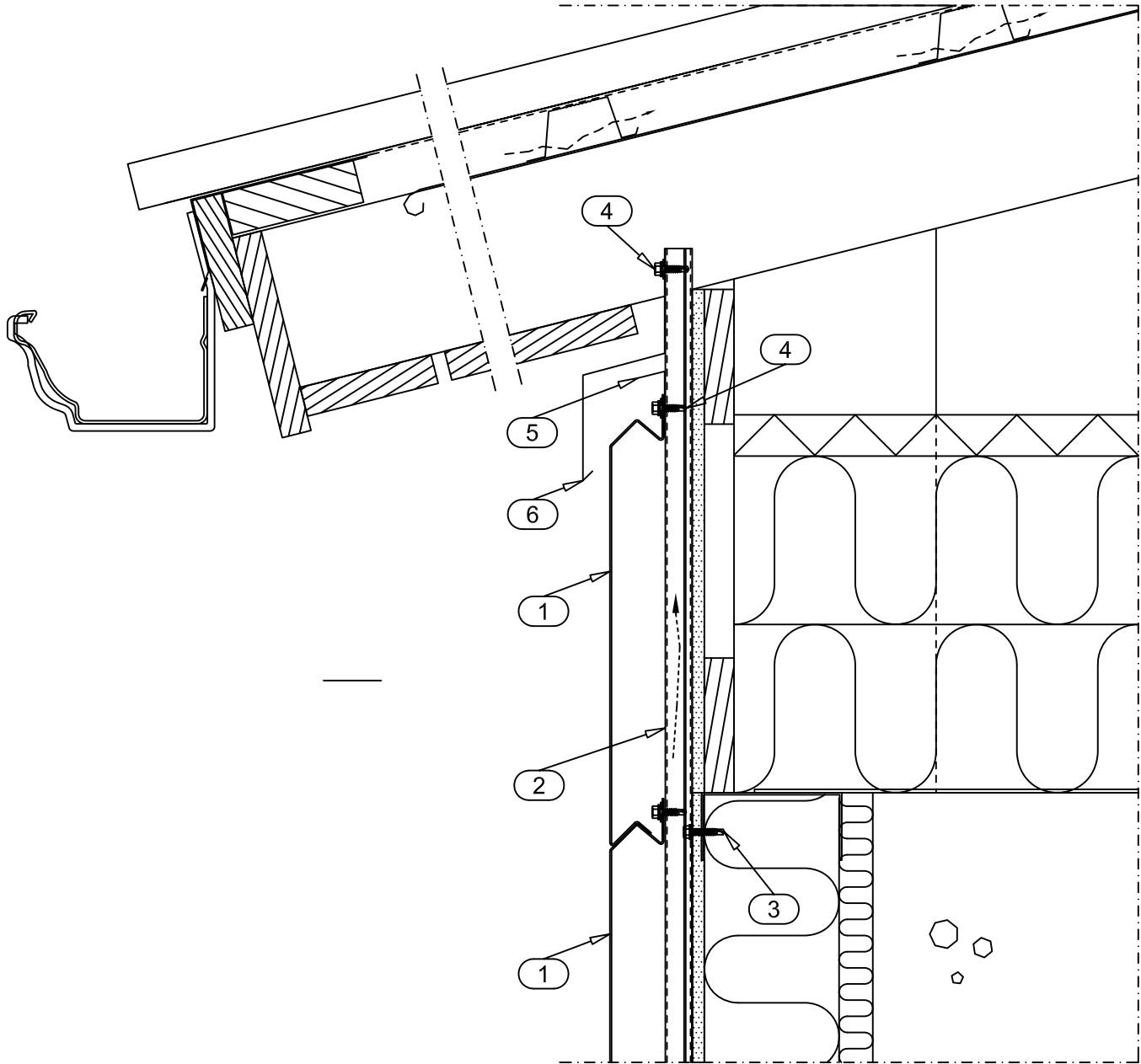
Date 12.08.2011	Rev. date	Work nr.	Drw. nr. CL20DE-19	Rev.
Drawn by Ruukki	Rev.			
Scale 1:2.5	Building		File nr.	



- 1. LAMELLA GROOVE 20
- 2. SUPPORT STUD CA1RS1
- 3. SCREW S1H48025D03 (SFS intec SD3-4.8x25)
- 4. SCREW S3H48020D03A4 (SFS intec SD3-S-A14-4.8x20)
- 5. (EXTERNAL CORNER) FLASHING CA1EC12X
- 6. COVER FLASHING CA1C12X
- 7. SCREW S3H48035WA4 (SFS intec SW2-S-A14-4.8x35)
- 8. HORIZONTAL BRACE STRIP (for fastening studs)

DELIVERY OF RUUKKI

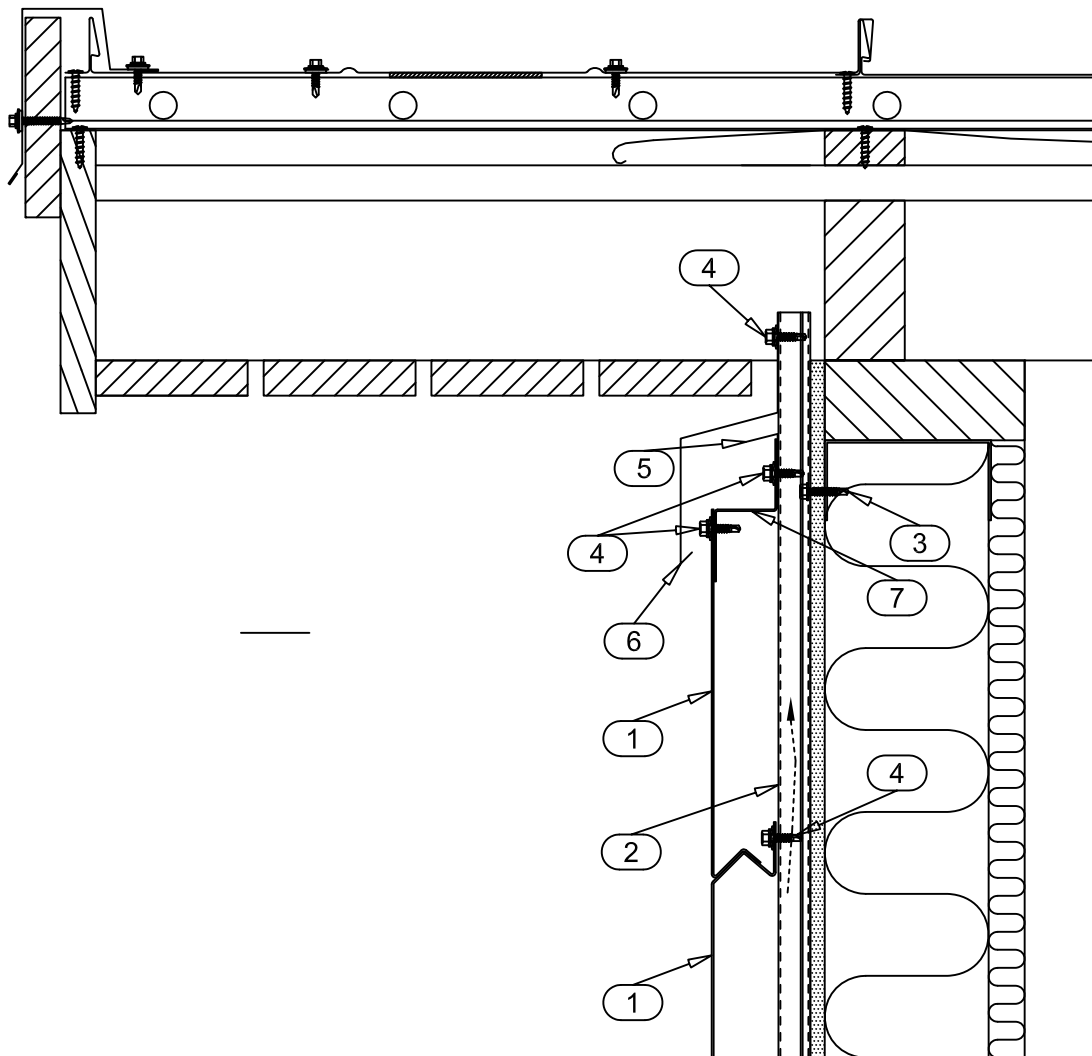
Date 12.08.2011	Rev. date	Work nr.	Drw. nr. CL20DE-20	Rev.
Drawn by Ruukki	Rev.			
Scale 1:5	Building		File nr.	



- 1. LAMELLA GROOVE 20
- 2. SUPPORT STUD CA1SS1
- 3. SCREW S1H48025D03 (SFS intec SD3-4.8x25)
- 4. SCREW S3H48020D03A4 (SFS intec SD3-S-A14-4.8x20)
- 5. STORM FLASHING CA1ST1X
- 6. EAVES FLASHING CA1E1X

DELIVERY OF RUUKKI

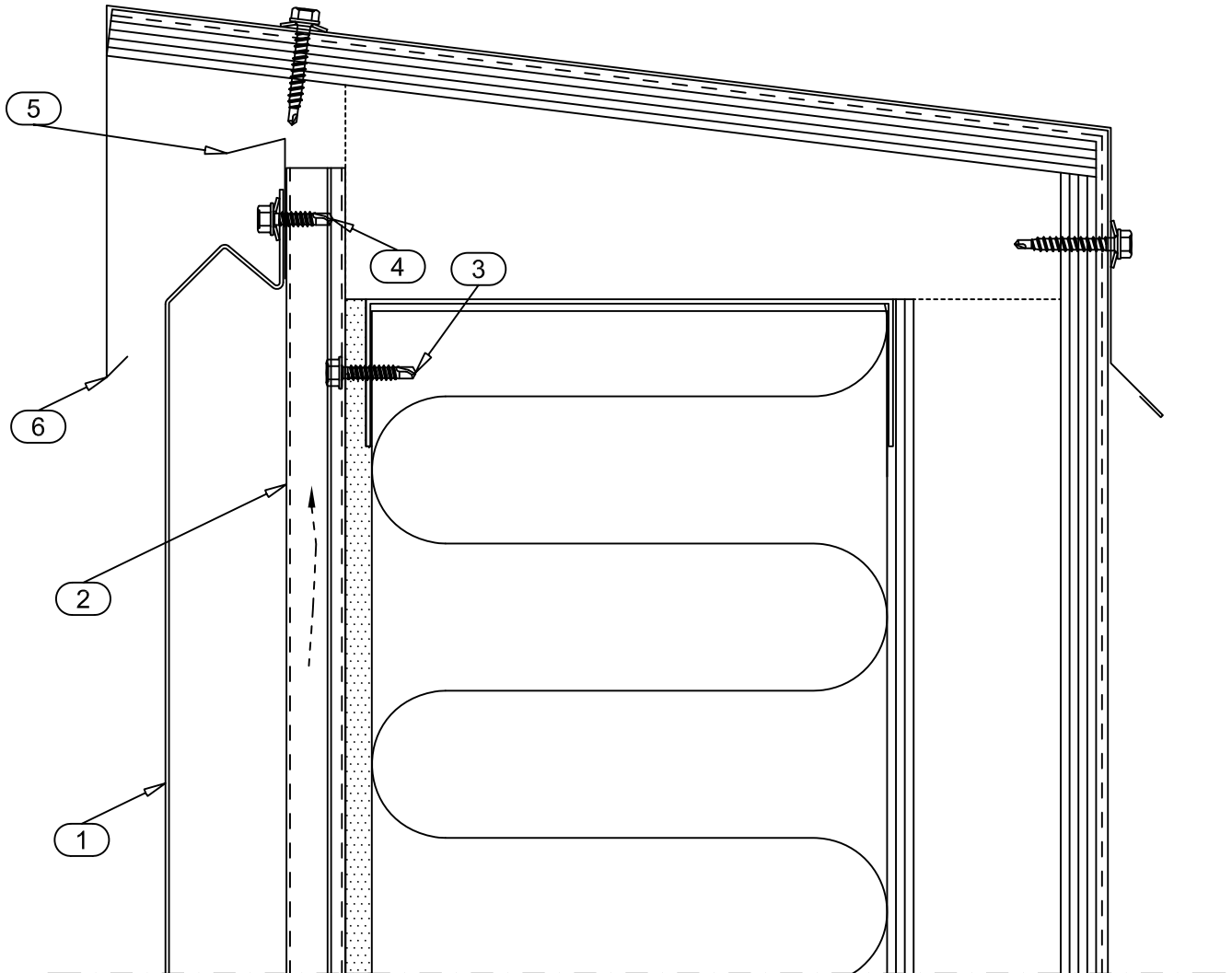
Date 12.08.2011	Rev. date	Work nr.	Drw. nr. CL20DE-21	Rev.
Drawn by Ruukki	Rev.			
Scale 1:5	Building		File nr.	



- 1. LAMELLA GROOVE 20
- 2. SUPPORT STUD CA1SS1
- 3. SCREW S1H48025D03 (SFS intec SD3-4.8x25)
- 4. SCREW S3H48020D03A4 (SFS intec SD3-S-A14-4.8x20)
- 5. STORM FLASHING CA1ST1X
- 6. EAVES FLASHING CA1E1X
- 7. SUPPORT FLASHING CA1SU2

DELIVERY OF RUUKKI

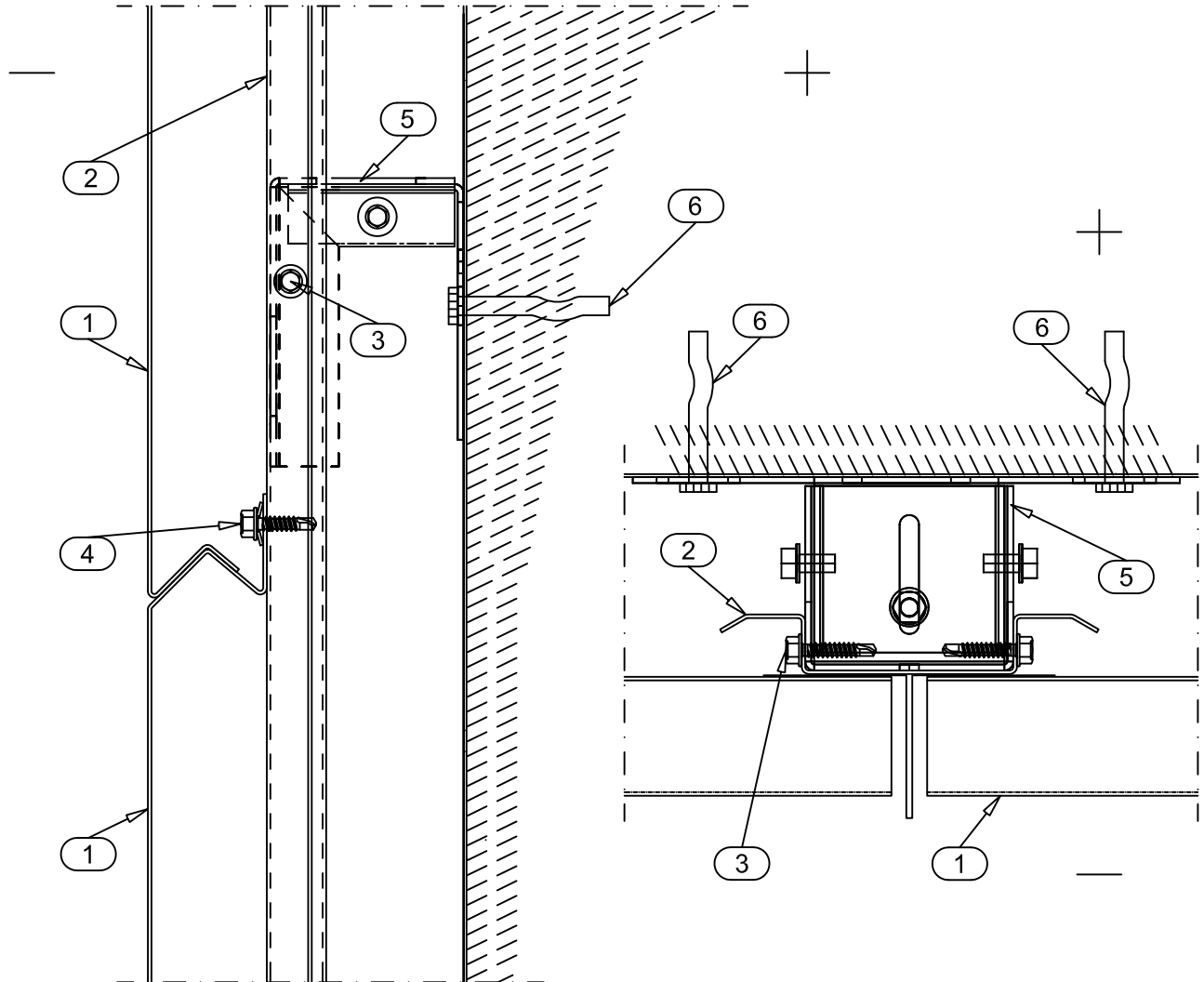
Date 12.08.2011	Rev. date	Work nr.	Drw. nr. CL20DE-22	Rev.
Drawn by Ruukki	Rev.			
Scale 1:2.5	Building		File nr.	



- 1. LAMELLA GROOVE 20
- 2. SUPPORT STUD CA1SS1
- 3. SCREW S1H48025D03 (SFS intec SD3-4.8x25)
- 4. SCREW S3H48020D03A4 (SFS intec SD3-S-A14-4.8x20)
- 5. STORM FLASHING CA1ST1X
- 6. EAVES FLASHING CA1E2X

DELIVERY OF RUUKKI

Date 12.08.2011	Rev. date	Work nr.	Drw. nr. CL20DE-23	Rev.
Drawn by Ruukki	Rev.			
Scale 1:2.5	Building		File nr.	



- 1. LAMELLA GROOVE 20
- 2. SUPPORT STUD CA1SS1
- 3. SCREW S1H48025D03 (SFS intec SD3-4.8x25)
- 4. SCREW S3H48020D03A4 (SFS intec SD3-S-A14-4.8x20)
- 5. ADJUSTABLE FASTENER CAFRSP
- 6. FASTENER

DELIVERY OF RUUKKI