
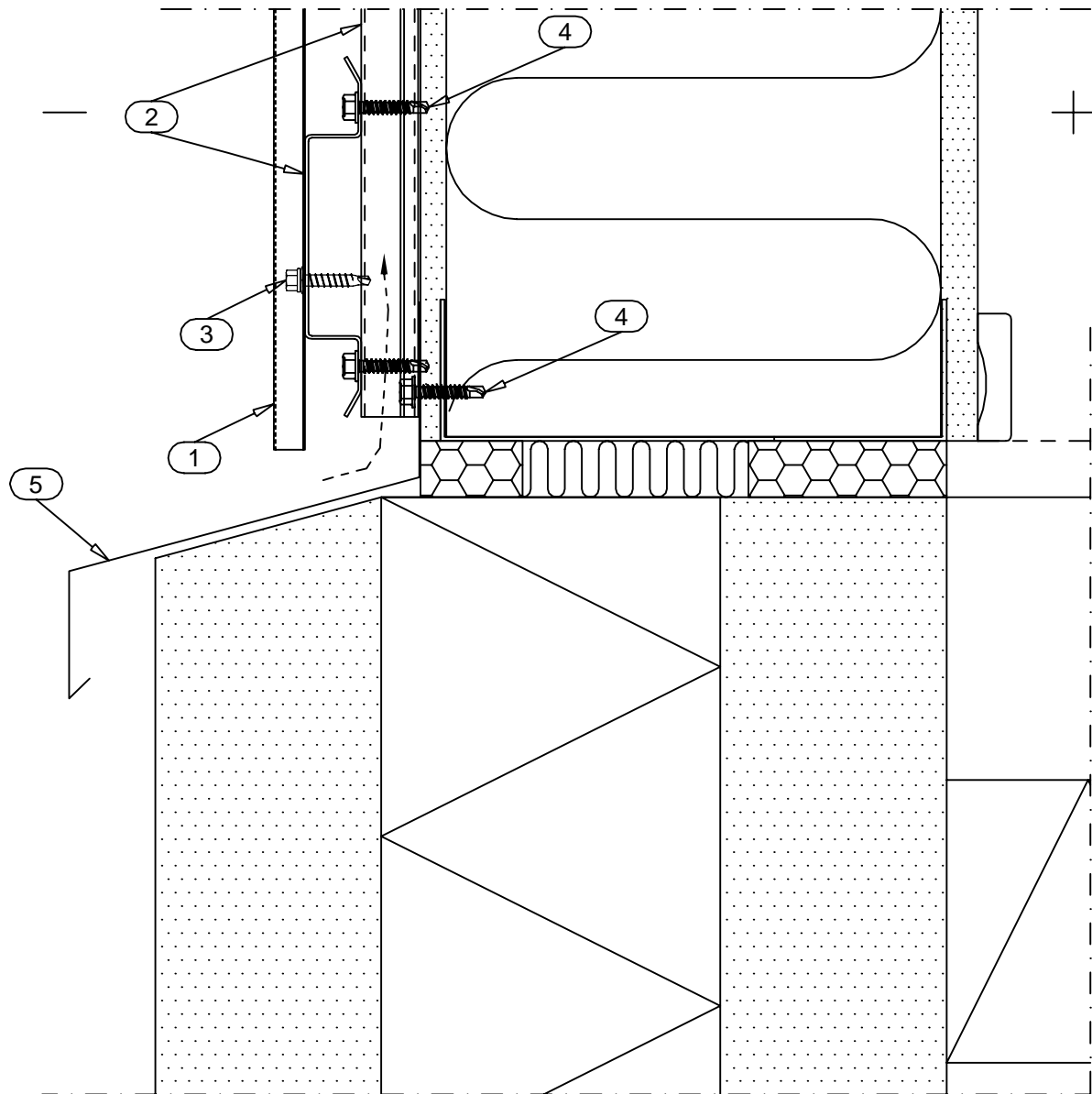


Drw. nr.	Contents of drawing	Date	Rev.	Rev. date
DPDE-101	Plinth, vertical section	12.08.2011	.	.
DPDE-102	Horizontal joint, vertical section	12.08.2011	.	.
DPDE-103	Vertical joint, horizontal section	12.08.2011	A	22.02.2016
DPDE-104	External corner, horizontal section	12.08.2011	.	.
DPDE-105	Internal corner, horizontal section	12.08.2011	.	.
DPDE-106	Lower edge of window, vertical section	12.08.2011	.	.
DPDE-107	Upper edge of window, vertical section	12.08.2011	.	.
DPDE-108	Upper edge of door, vertical section	12.08.2011	.	.
DPDE-109	Vertical edge of window, horizontal section	12.08.2011	.	.
DPDE-110	Vertical edge of door, horizontal section	12.08.2011	.	.
DPDE-111	Side eaves, vertical section	12.08.2011	.	.
DPDE-112	Gable eaves, vertical section	12.08.2011	.	.
DPDE-113	Short eaves, vertical section	12.08.2011	.	.

City sector		Block	Site/Reg. nr.	File nr.	
Building type			Drawing type		Nr.
Building, Name and address			Contents of drawing		Scale
			Design Profiles		
			BASE DETAIL DRAWINGS Vertical installation		
Date 12.08.2011		Designer Ruukki		Work nr.	Work nr.
Drawn by		Checked		Drw. nr.	Rev.

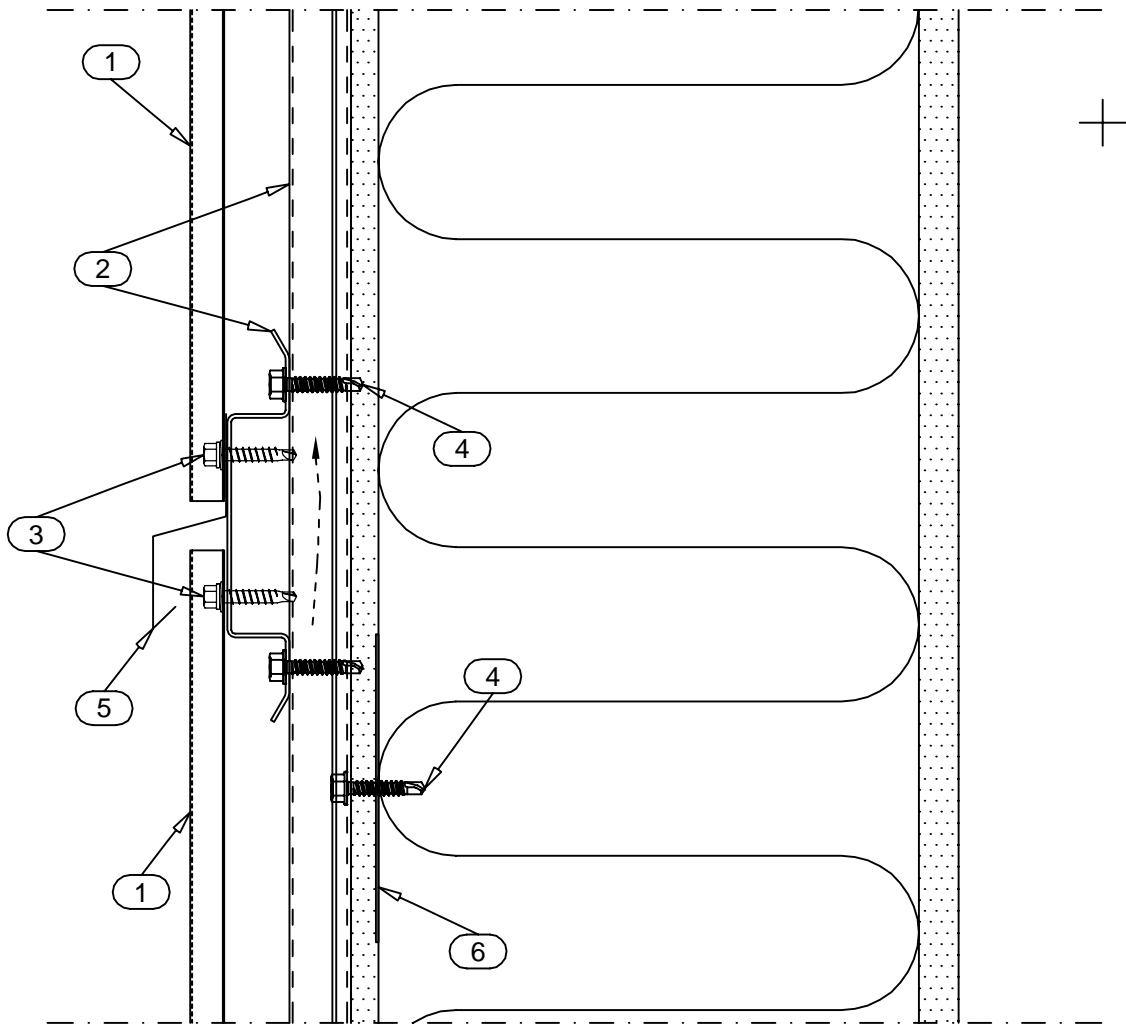
Date 12.08.2011	Rev. date	Work nr.	Drw. nr. DPDE-101	Rev.
Drawn by Ruukki	Rev.			
Scale 1:2.5	Building		File nr.	



- 1. DESIGN PROFILE, E.G. DESIGN VENICE S10
- 2. SUPPORT STUD CA1SS1
- 3. SCREW S3H4825D4S9.5 (Ferrometal PORAR 6K A2+RUSP 4.8X25+TIIV D=9.5MM)
- 4. SCREW S1H48025D03 (SFS intec SD3-4.8x25)
- 5. PLINTH FLASHING CA1P1X

- DELIVERY OF RUUKKI

Date 12.08.2011	Rev. date	Work nr.	Drw. nr. DPDE-102	Rev.
Drawn by Ruukki	Rev.			
Scale 1:2.5	Building		File nr.	

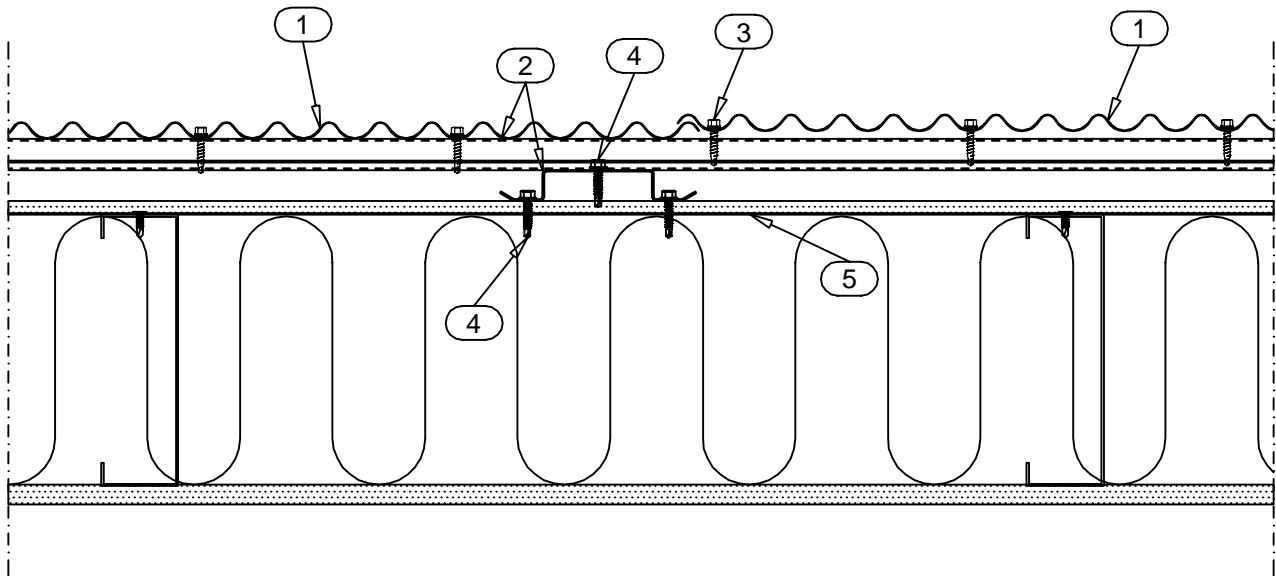


- 1. DESIGN PROFILE, E.G. DESIGN VENICE S10
- 2. SUPPORT STUD CA1SS1
- 3. SCREW S3H4825D4S9.5 (Ferrometal PORAR 6K A2+RUSP 4.8X25+TIIV D=9.5MM)
- 4. SCREW S1H48025D03 (SFS intec SD3-4.8x25)
- 5. (SILL) FLASHING CA1S1X
- 6. HORIZONTAL BRACE STRIP (for fastening studs)

- DELIVERY OF RUUKKI

Date 12.08.2011	Rev. date 22.02.2016	Work nr.	Drw. nr. DPDE-103	Rev.
Drawn by Ruukki	Rev. A			
Scale 1:5	Building	File nr.		

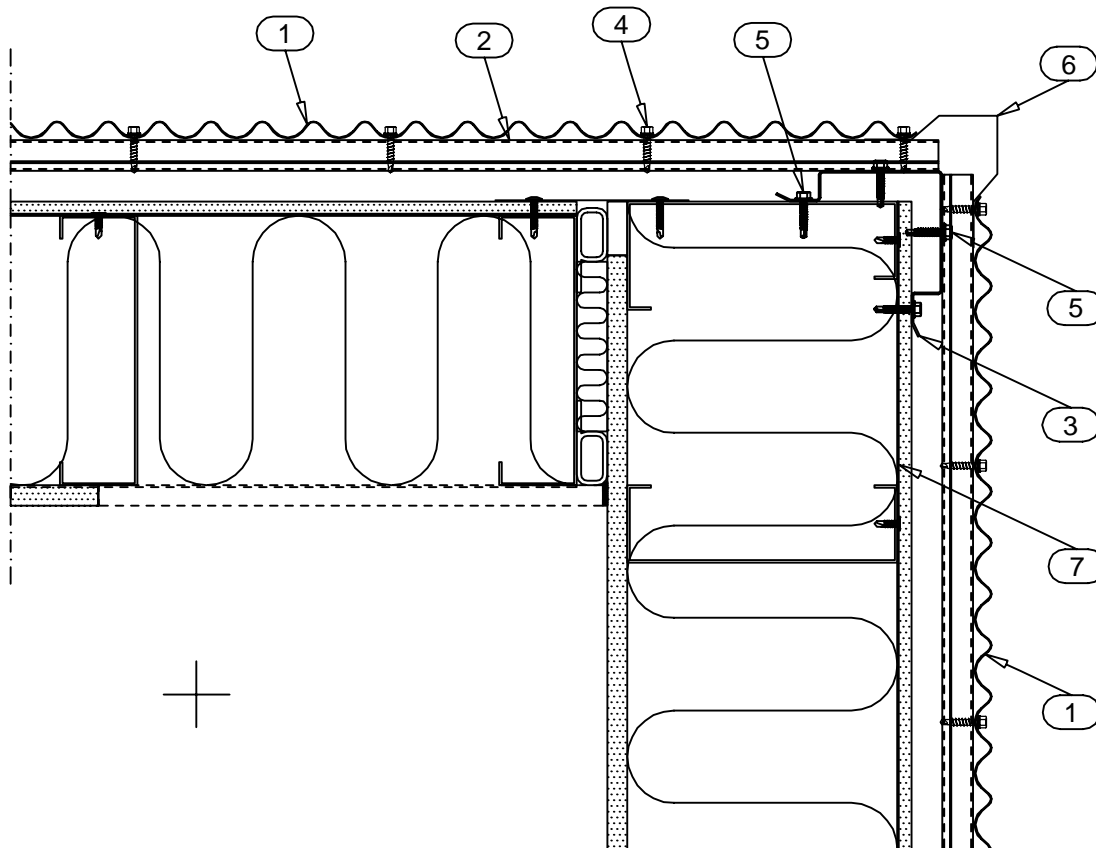
Overlapping in longitudinal joints depends on design profile type. Please check the correct overlapping from separate dimensional drawings.



- 1. DESIGN PROFILE, E.G. DESIGN VENICE S10
- 2. SUPPORT STUD CA1SS1
- 3. SCREW S3H4825D4S9.5 (Ferrometal PORAR 6K A2+RUSP 4.8X25+TIIV D=9.5MM)
- 4. SCREW S1H48025D03 (SFS intec SD3-4.8x25)
- 5. HORIZONTAL BRACE STRIP (for fastening studs)

DELIVERY OF RUUKKI

Date 12.08.2011	Rev. date	Work nr.	Drw. nr. DPDE-104	Rev.
Drawn by Ruukki	Rev.			
Scale 1:5	Building		File nr.	



- 1. DESIGN PROFILE, E.G. DESIGN VENICE S10
- 2. SUPPORT STUD CA1SS1
- 3. SUPPORT STUD CORNER CA1SSC1
- 4. SCREW S3H4825D4S9.5 (Ferrometal PORAR 6K A2+RUSP 4.8X25+TIIV D=9.5MM)
- 5. SCREW S1H48025D03 (SFS intec SD3-4.8x25)
- 6. EXTERNAL CORNER FLASHING CA1EC11X
- 7. HORIZONTAL BRACE STRIP (for fastening studs)

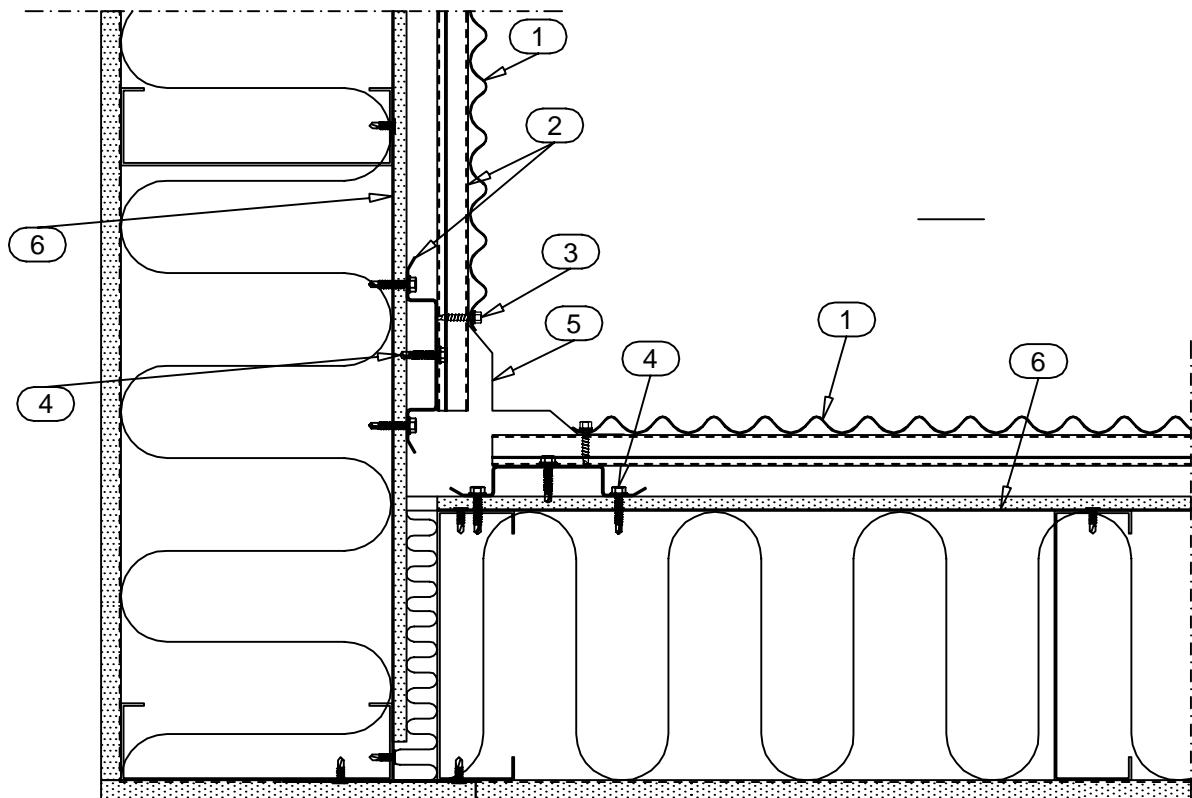
DELIVERY OF RUUKKI



Contents of drawing

Design Profiles, vertical installation
Internal corner
Horizontal section

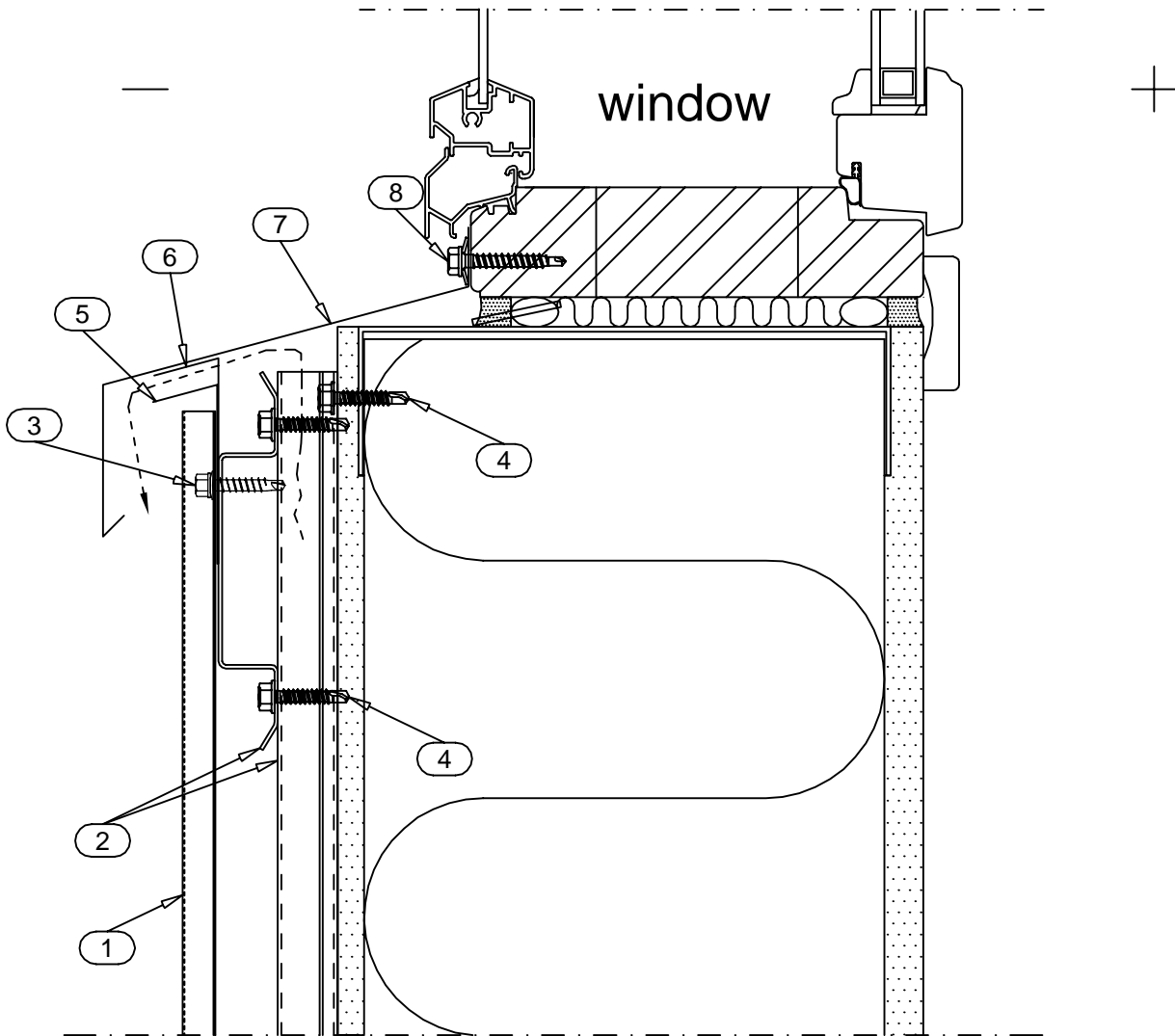
Date 12.08.2011	Rev. date	Work nr.	Drw. nr. DPDE-105	Rev.
Drawn by Ruukki	Rev.			
Scale 1:5	Building		File nr.	



- 1. DESIGN PROFILE, E.G. DESIGN VENICE S10
- 2. SUPPORT STUD CA1SS1
- 3. SCREW S3H4825D4S9.5 (Ferrometal PORAR 6K A2+RUSP 4.8X25+TIIV D=9.5MM)
- 4. SCREW S1H48025D03 (SFS intec SD3-4.8x25)
- 5. INTERNAL CORNER FLASHING CA1IC5X
- 6. HORIZONTAL BRACE STRIP (for fastening studs)

DELIVERY OF RUUKKI

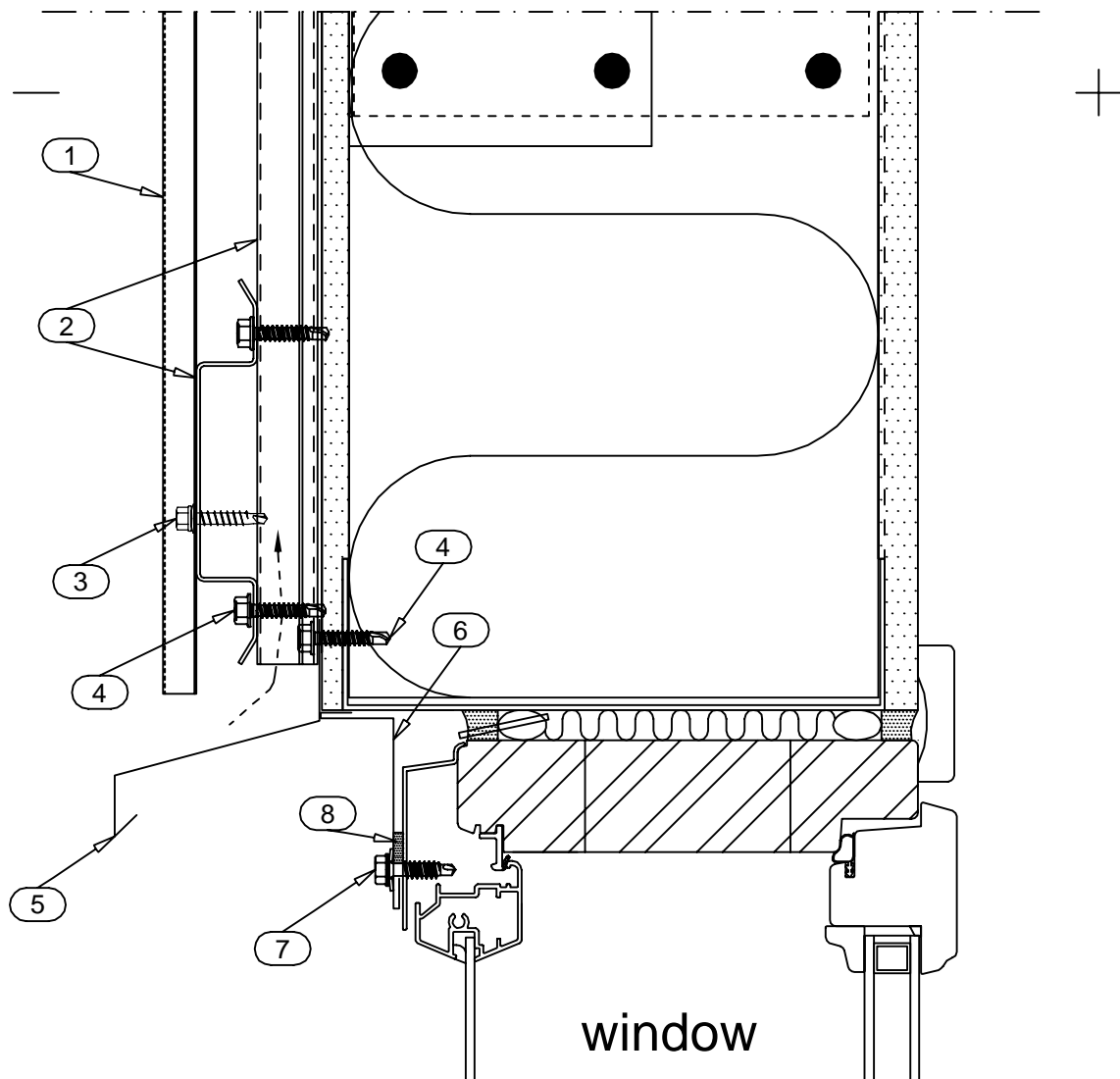
Date 12.08.2011	Rev. date	Work nr.	Drw. nr. DPDE-106	Rev.
Drawn by Ruukki	Rev.			
Scale 1:2.5	Building		File nr.	



- 1. DESIGN PROFILE, E.G. DESIGN VENICE S10
- 2. SUPPORT STUD CA1SS1
- 3. SCREW S3H4825D4S9.5 (Ferrometal PORAR 6K A2+RUSP 4.8x25+TIIV D=9.5MM)
- 4. SCREW S1H48025D03 (SFS intec SD3-4.8x25)
- 5. STORM FLASHING CA1ST1X
- 6. SUPPORT FLASHING CA1SU1X
- 7. SILL FLASHING CA1S1X
- 8. SCREW S3H48035WA4 (SFS intec SW2-S-A14-4.8x35)

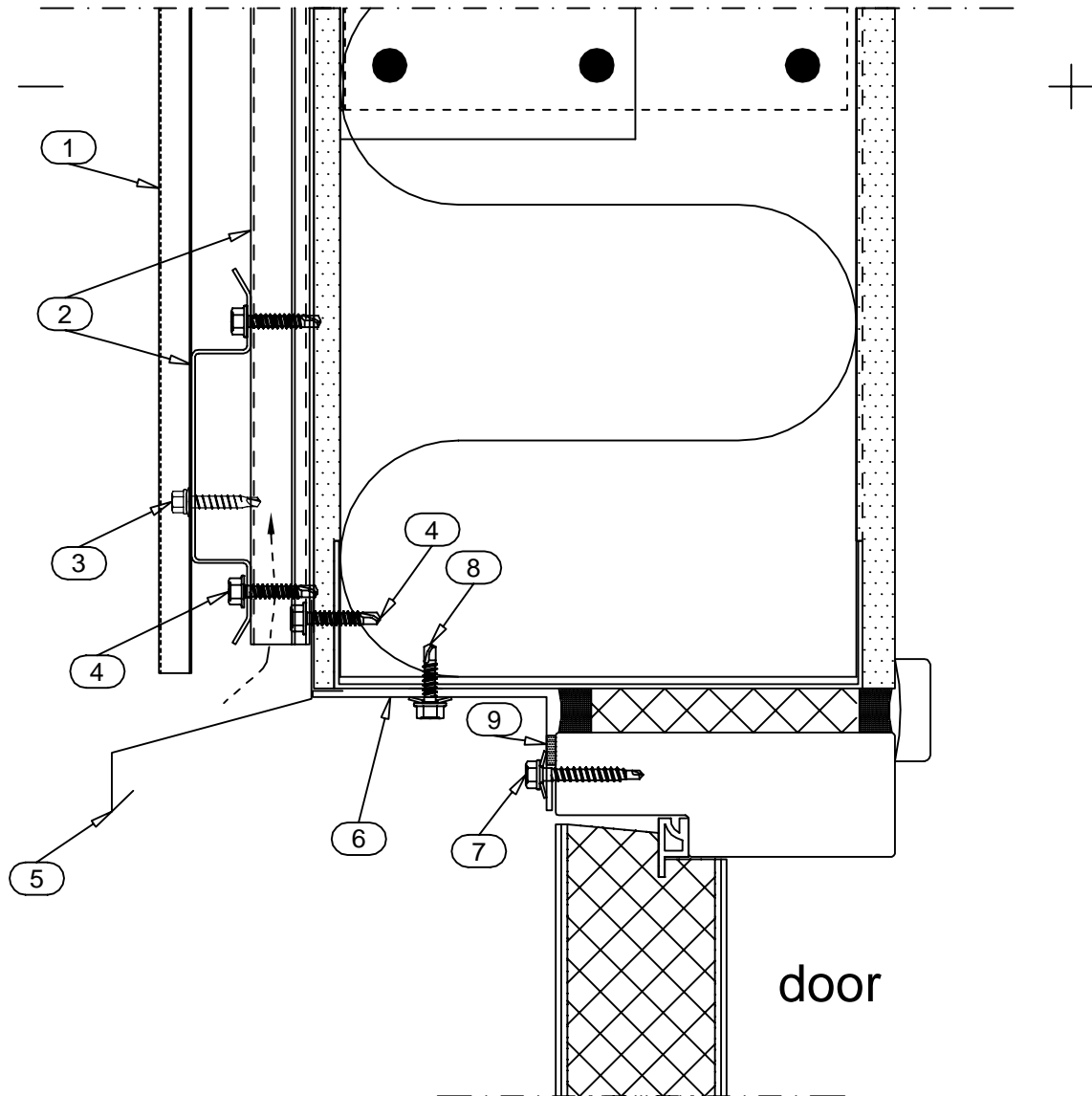
- DELIVERY OF RUUKKI

Date 12.08.2011	Rev. date	Work nr.	Drw. nr. DPDE-107	Rev.
Drawn by Ruukki	Rev.			
Scale 1:2.5	Building		File nr.	



- 1. DESIGN PROFILE, E.G. DESIGN VENICE S10
 - 2. SUPPORT STUD CA1SS1
 - 3. SCREW S3H4825D4S9.5 (Ferrometal PORAR 6K A2+RUSP 4.8X25+TIIV D=9.5MM)
 - 4. SCREW S1H48025D03 (SFS intec SD3-4.8x25)
 - 5. (SILL) FLASHING CA1S1X
 - 6. COVER FLASHING CA1C10X
 - 7. SCREW S3H55022L02A4 (SFS intec SL2-S-A14-5.5x22)
 - 8. SEALING STRIP EA3SS410
- DELIVERY OF RUUKKI

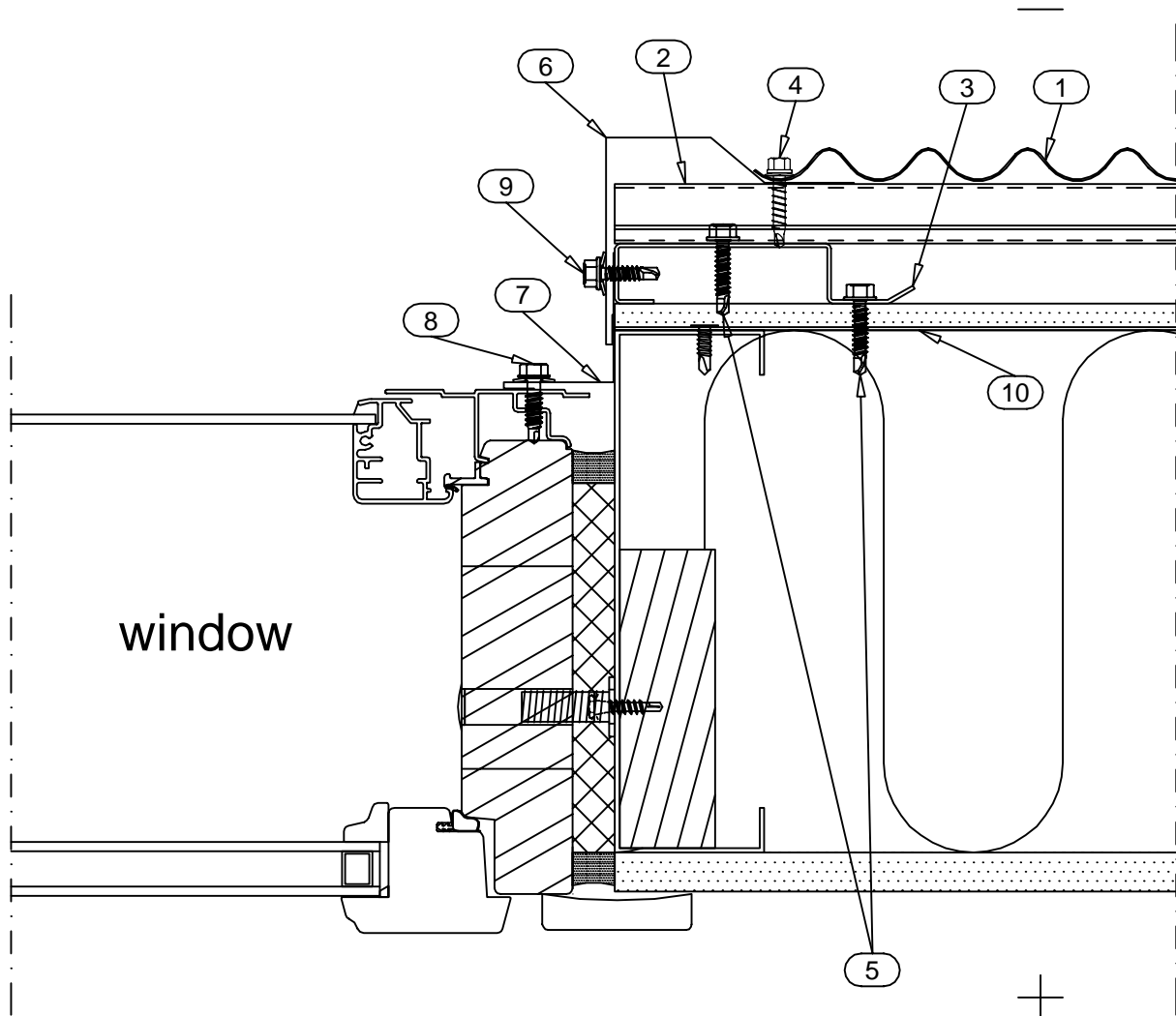
Date 12.08.2011	Rev. date	Work nr.	Drw. nr. DPDE-108	Rev.
Drawn by Ruukki	Rev.			
Scale 1:2.5	Building		File nr.	



- 1. DESIGN PROFILE, E.G. DESIGN VENICE S10
- 2. SUPPORT STUD CA1SS1
- 3. SCREW S3H4825D4S9.5 (Ferrometal PORAR 6K A2+RUSP 4.8X25+TIIV D=9.5MM)
- 4. SCREW S1H48025D03 (SFS intec SD3-4.8x25)
- 5. (SILL) FLASHING CA1S1X
- 6. COVER FLASHING CA1C10X
- 7. SCREW S3H48035WA4 (SFS intec SW2-S-A14-4.8x35)
- 8. SCREW S3H48020D03A4 (SFS intec SD3-S-A14-4.8x20)
- 9. SEALING STRIP EA3SS410

DELIVERY OF RUUKKI

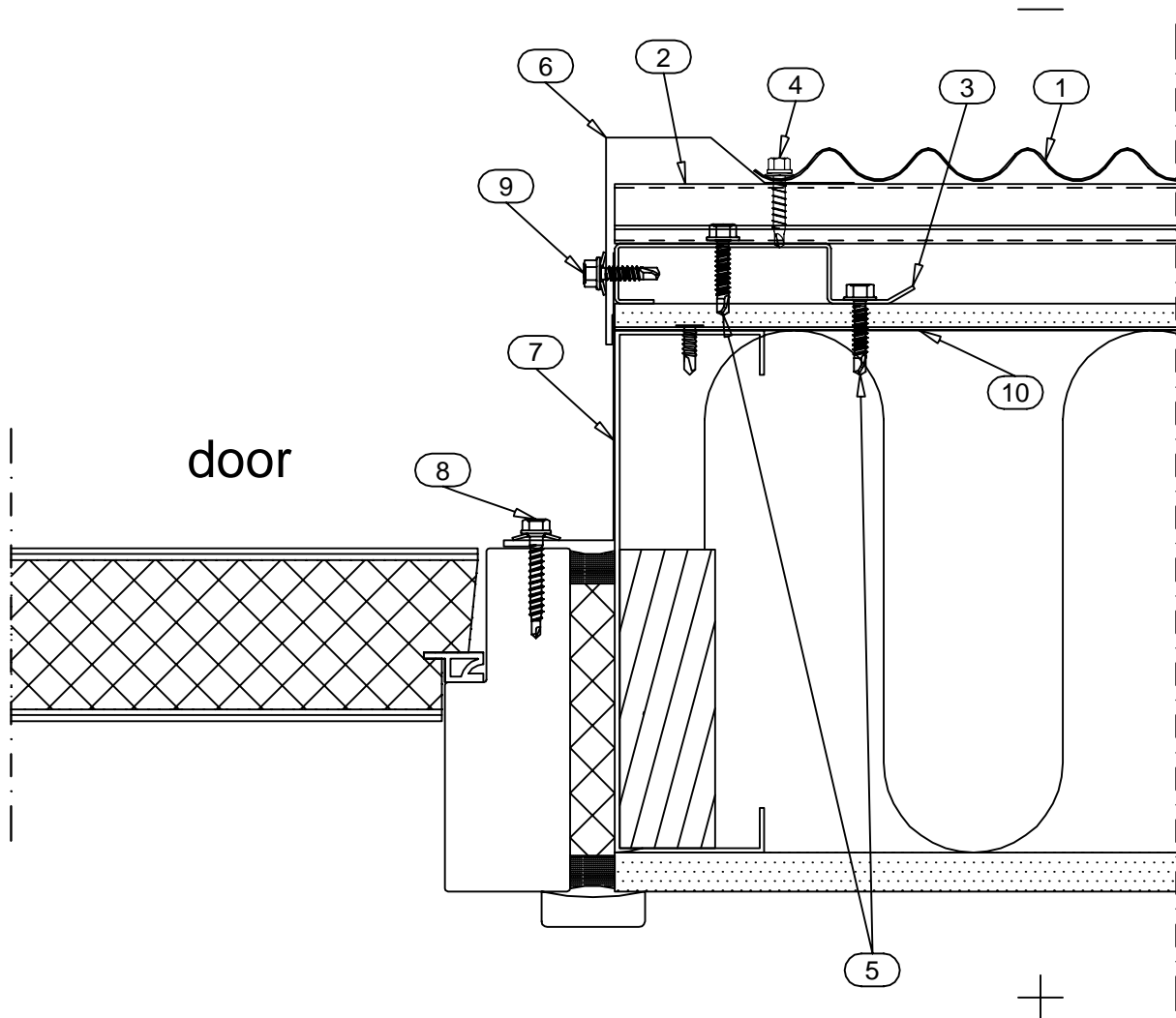
Date 12.08.2011	Rev. date	Work nr.	Drw. nr. DPDE-109	Rev.
Drawn by Ruukki	Rev.			
Scale 1:2.5	Building		File nr.	



- 1. DESIGN PROFILE, E.G. DESIGN VENICE S10
- 2. SUPPORT STUD CA1SS1
- 3. SUPPORT STUD CA1RS1
- 4. SCREW S3H4825D4S9.5 (Ferrometal PORAR 6K A2+RUSP 4.8X25+TIIV D=9.5MM)
- 5. SCREW S1H48025D03 (SFS intec SD3-4.8x25)
- 6. COVER FLASHING CA1C7X
- 7. COVER FLASHING CA1C12X
- 8. SCREW S3H55022L02A4 (SFS intec SL2-S-A14-5.5x22)
- 9. SCREW S3H48020D03A4 (SFS intec SD3-S-A14-4.8x20)
- 10. HORIZONTAL BRACE STRIP (for fastening studs)

DELIVERY OF RUUKKI

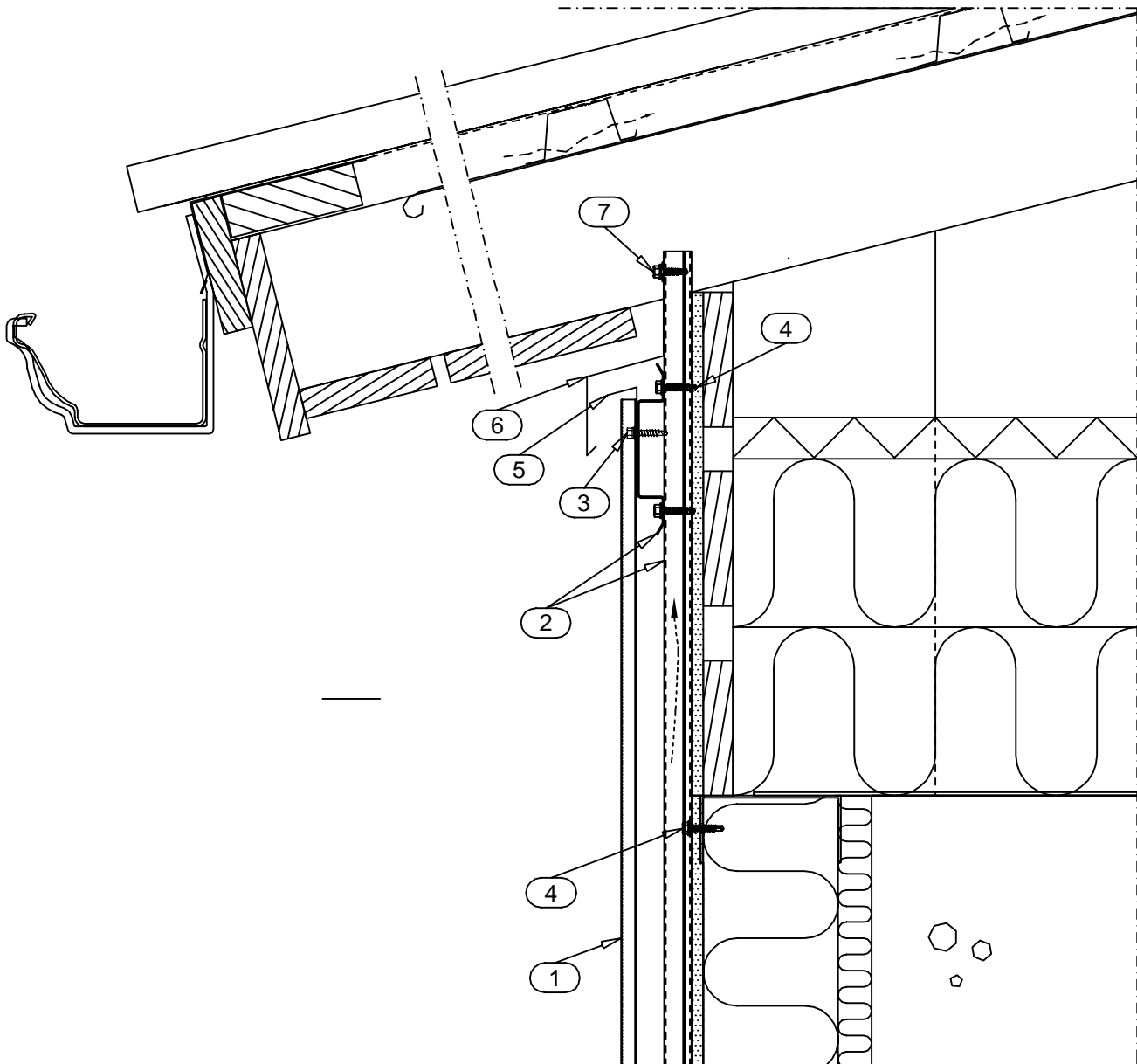
Date 12.08.2011	Rev. date	Work nr.	Drw. nr. DPDE-110	Rev.
Drawn by Ruukki	Rev.			
Scale 1:2.5	Building		File nr.	



- 1. DESIGN PROFILE, E.G. DESIGN VENICE S10
- 2. SUPPORT STUD CA1SS1
- 3. SUPPORT STUD CA1RS1
- 4. SCREW S3H4825D4S9.5 (Ferrometal PORAR 6K A2+RUSP 4.8X25+TIIV D=9.5MM)
- 5. SCREW S1H48025D03 (SFS intec SD3-4.8x25)
- 6. COVER FLASHING CA1C7X
- 7. COVER FLASHING CA1C12X
- 8. SCREW S3H48035WA4 (SFS intec SW2-S-A14-4.8x35)
- 9. SCREW S3H48020D03A4 (SFS intec SD3-S-A14-4.8x20)
- 10. HORIZONTAL BRACE STRIP (for fastening studs)

DELIVERY OF RUUKKI

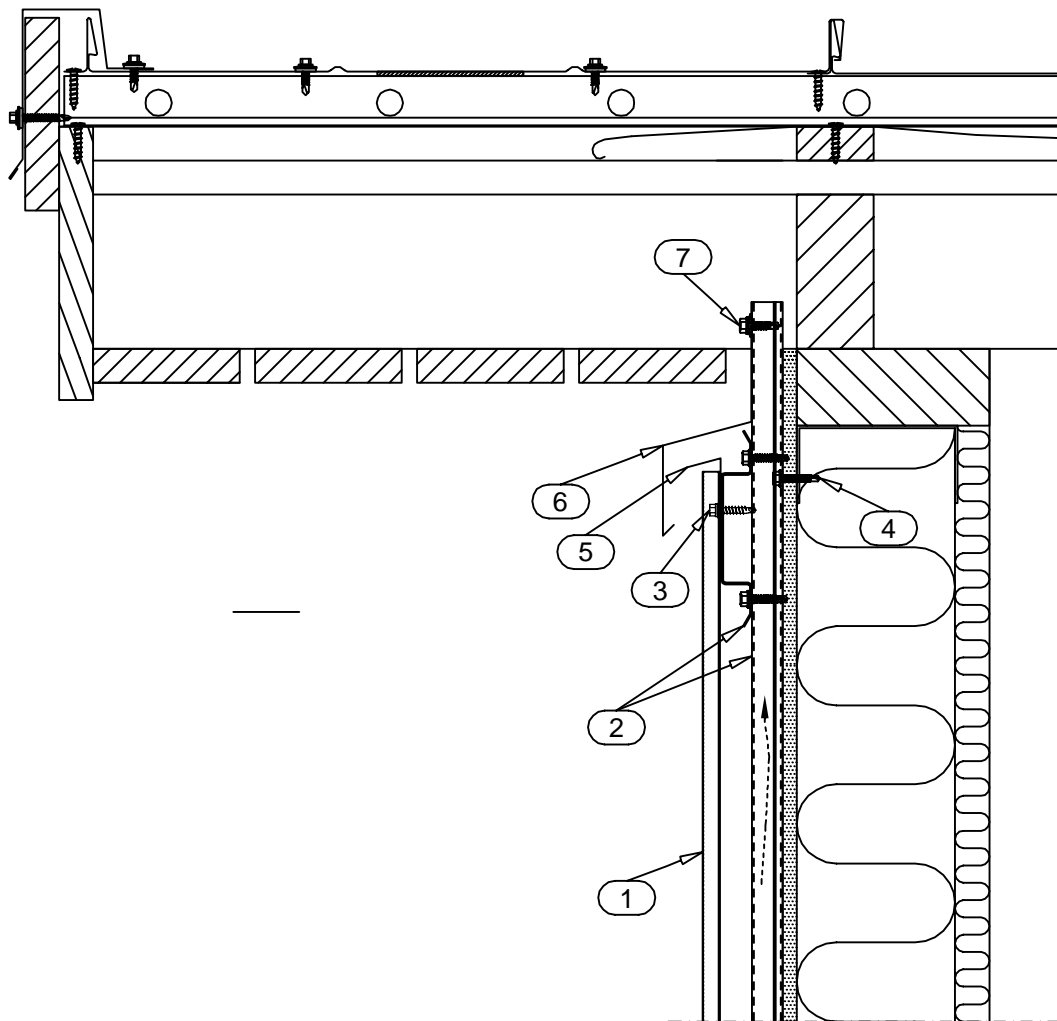
Date 12.08.2011	Rev. date	Work nr.	Drw. nr. DPDE-111	Rev.
Drawn by Ruukki	Rev.			
Scale 1:5	Building		File nr.	



- 1. DESIGN PROFILE, E.G. DESIGN VENICE S10
- 2. SUPPORT STUD CA1SS1
- 3. SCREW S3H4825D4S9.5 (Ferrometal PORAR 6K A2+RUSP 4.8X25+TIIV D=9.5MM)
- 4. SCREW S1H48025D03 (SFS intec SD3-4.8x25)
- 5. STORM FLASHING CA1ST1X
- 6. EAVES FLASHING CA1E1X
- 7. SCREW S3H48020D03A4 (SFS intec SD3-S-A14-4.8x20)

DELIVERY OF RUUKKI

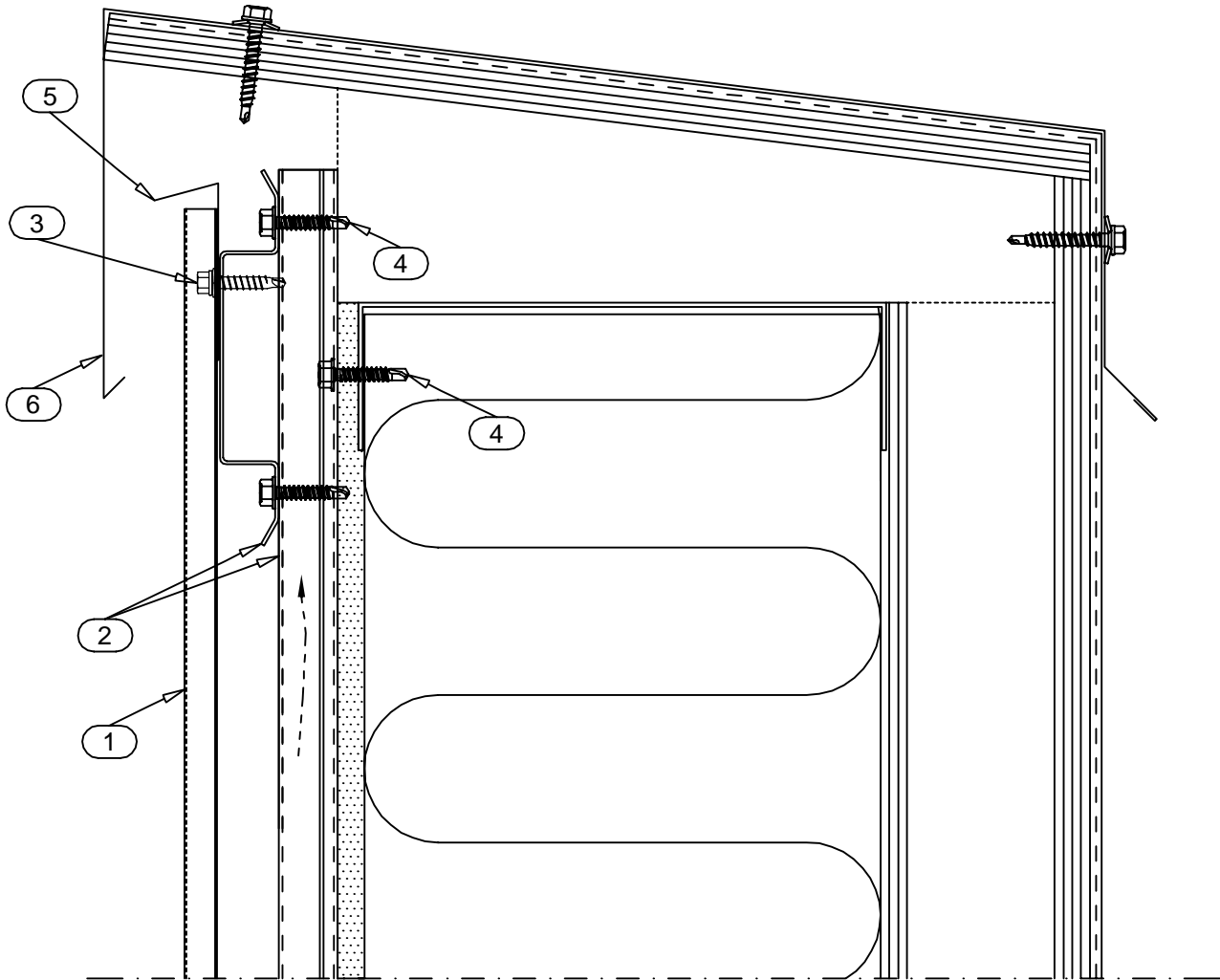
Date 12.08.2011	Rev. date	Work nr.	Drw. nr. DPDE-112	Rev.
Drawn by Ruukki	Rev.			
Scale 1:5	Building		File nr.	



- 1. DESIGN PROFILE, E.G. DESIGN VENICE S10
- 2. SUPPORT STUD CA1SS1
- 3. SCREW S3H4825D4S9.5 (Ferrometal PORAR 6K A2+RUSP 4.8X25+TIIV D=9.5MM)
- 4. SCREW S1H48025D03 (SFS intec SD3-4.8x25)
- 5. STORM FLASHING CA1ST1X
- 6. EAVES FLASHING CA1E1X
- 7. SCREW S3H48020D03A4 (SFS intec SD3-S-A14-4.8x20)

DELIVERY OF RUUKKI

Date 12.08.2011	Rev. date	Work nr.	Drw. nr. DPDE-113	Rev.
Drawn by Ruukki	Rev.			
Scale 1:2.5	Building		File nr.	



- 1. DESIGN PROFILE, E.G. DESIGN VENICE S10
- 2. SUPPORT STUD CA1SS1
- 3. SCREW S3H4825D4S9.5 (Ferrometal PORAR 6K A2+RUSP 4.8X25+TIIV D=9.5MM)
- 4. SCREW S1H48025D03 (SFS intec SD3-4.8x25)
- 5. STORM FLASHING CA1ST1X
- 6. EAVES FLASHING CA1E2X

- DELIVERY OF RUUKKI