
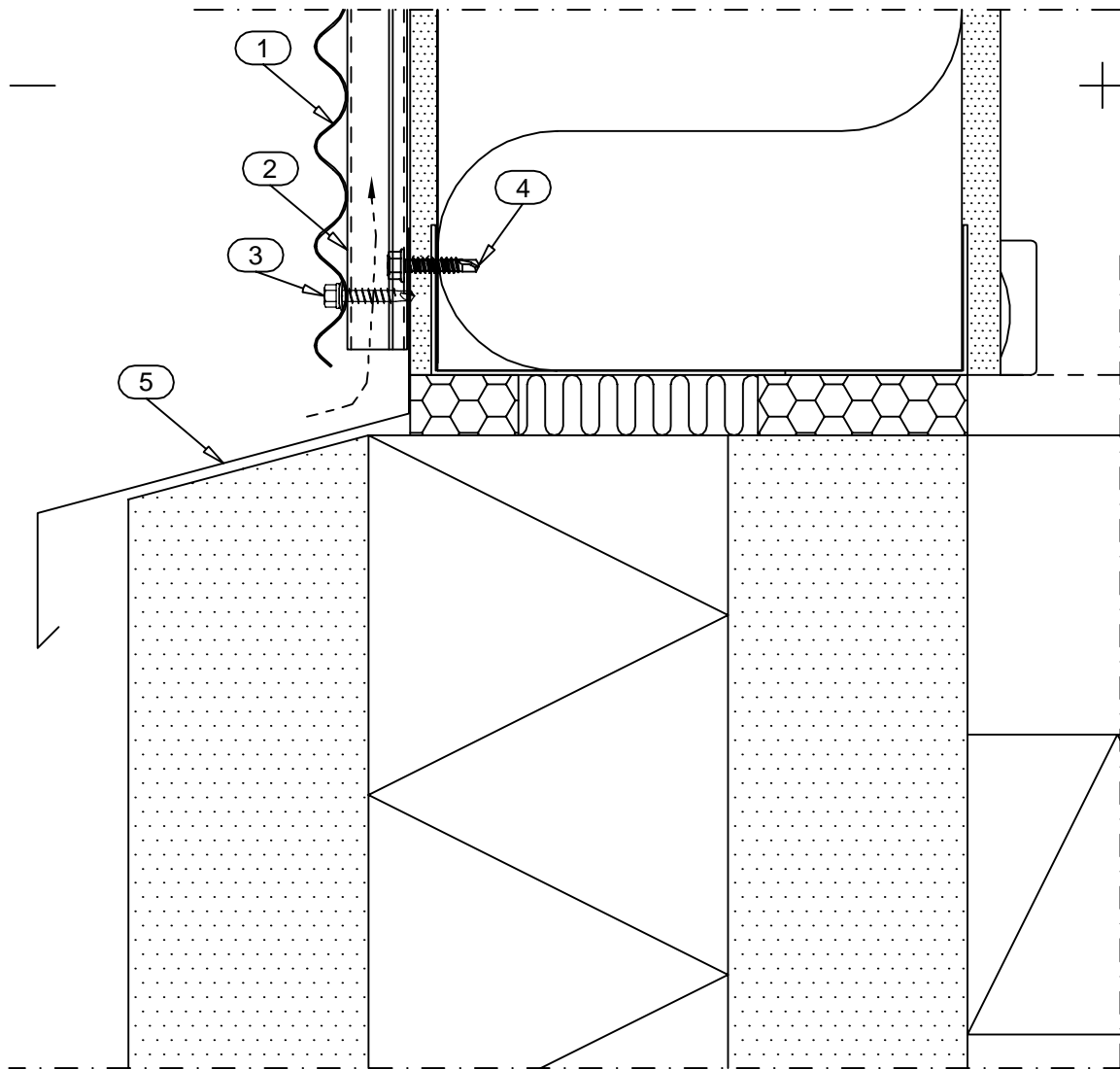


Drw. nr.	Contents of drawing	Date	Rev.	Rev. date
DPDE-1	Plinth, vertical section	12.08.2011	.	.
DPDE-2	Horizontal joint, vertical section	12.08.2011	A	22.02.2016
DPDE-3	Vertical joint, horizontal section	12.08.2011	.	.
DPDE-4	External corner, horizontal section	12.08.2011	.	.
DPDE-5	Internal corner, horizontal section	12.08.2011	.	.
DPDE-6	Lower edge of window, vertical section	12.08.2011	.	.
DPDE-7	Upper edge of window, vertical section	12.08.2011	.	.
DPDE-8	Upper edge of door, vertical section	12.08.2011	.	.
DPDE-9	Vertical edge of window, horizontal section	12.08.2011	.	.
DPDE-10	Vertical edge of door, horizontal section	12.08.2011	.	.
DPDE-11	Side eaves, vertical section	12.08.2011	.	.
DPDE-12	Gable eaves, vertical section	12.08.2011	.	.
DPDE-13	Short eaves, vertical section	12.08.2011	.	.
DPDE-14	Horizontal and vertical joint, support studs fastened by adjustable fastener	12.08.2011	.	.

City sector	Block	Site/Reg. nr.	File nr.	
Building type		Drawing type		Nr.
Building, Name and address		Contents of drawing		Scale
		Design Profiles		
		BASE DETAIL DRAWINGS Horizontal installation		
Date 12.08.2011	Designer Ruukki	Work nr.	Work nr.	Drw. nr.      Rev.
Drawn by	Checked			

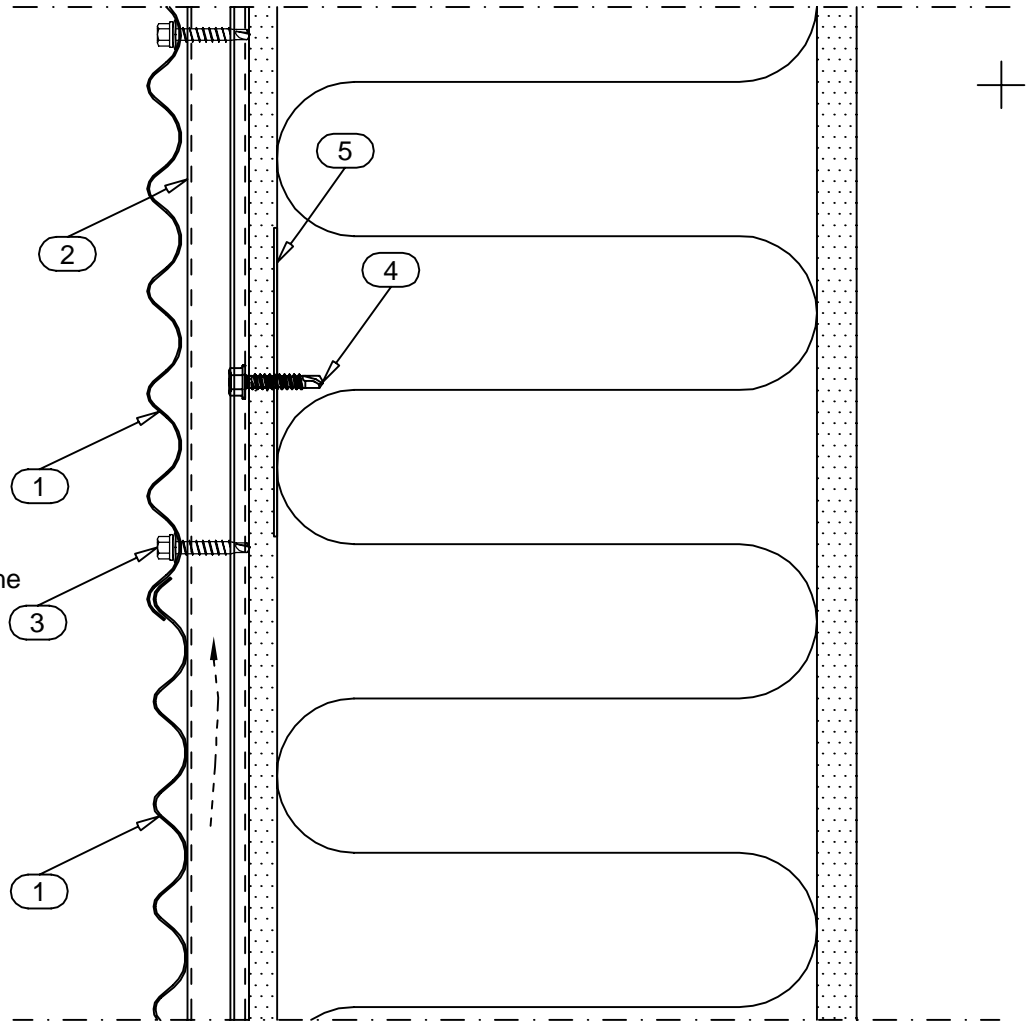
Date 12.08.2011	Rev. date	Work nr.	Drw. nr. DPDE-1	Rev.
Drawn by Ruukki	Rev.			
Scale 1:2.5	Building		File nr.	



- 1. DESIGN PROFILE, E.G. DESIGN VENICE S10
- 2. SUPPORT STUD CA1SS1
- 3. SCREW S3H4825D4S9.5 (Ferrometal PORAR 6K A2+RUSP 4.8X25+TIIV D=9.5MM)
- 4. SCREW S1H48025D03 (SFS intec SD3-4.8x25)
- 5. PLINTH FLASHING CA1P1X
  
- DELIVERY OF RUUKKI

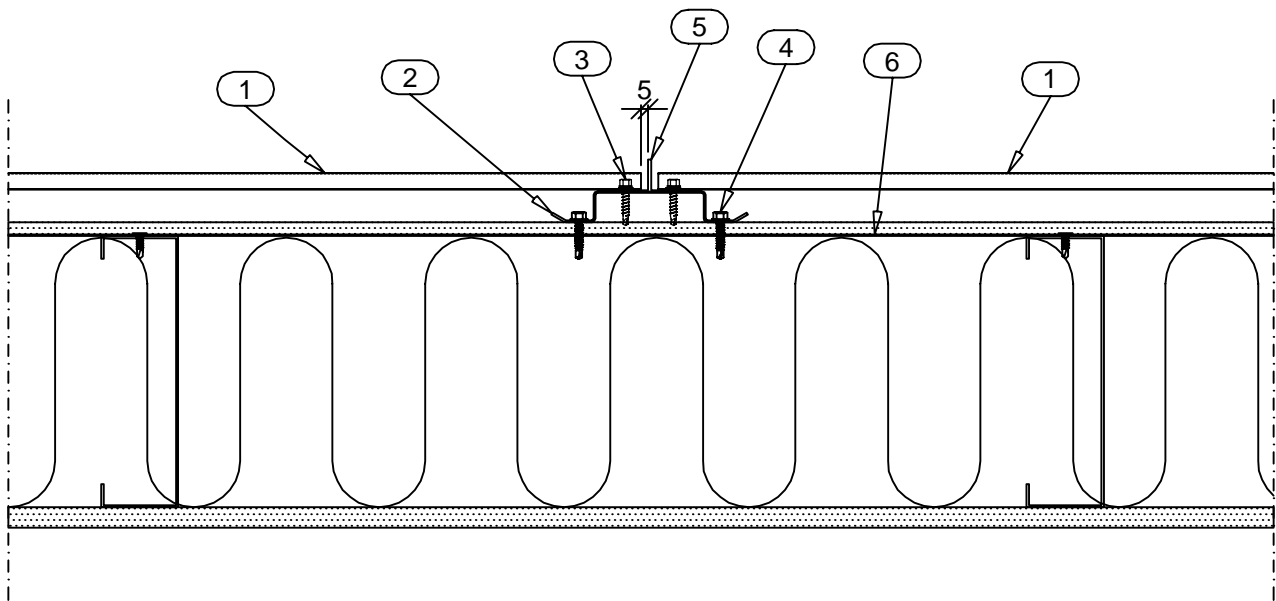
Date 12.08.2011	Rev. date 22.02.2016	Work nr.	Drw. nr. DPDE-2	Rev.
Drawn by Ruukki	Rev. A		File nr.	
Scale 1:2.5	Building			

Overlapping in longitudinal joints depends on design profile type. Please check the correct overlapping from separate dimensional drawings.



- 1. DESIGN PROFILE, E.G. DESIGN VENICE S10
- 2. SUPPORT STUD CA1SS1
- 3. SCREW S3H4825D4S9.5 (Ferrometal PORAR 6K A2+RUSP 4.8X25+TIIV D=9.5MM)
- 4. SCREW S1H48025D03 (SFS intec SD3-4.8x25)
- 5. HORIZONTAL BRACE STRIP (for fastening studs)
  
- DELIVERY OF RUUKKI

Date 12.08.2011	Rev. date	Work nr.	Drw. nr. DPDE-3	Rev.
Drawn by Ruukki	Rev.			
Scale 1:5	Building		File nr.	



- 1. DESIGN PROFILE, E.G. DESIGN VENICE S10
- 2. SUPPORT STUD CA1SS1
- 3. SCREW S3H4825D4S9.5 (Ferrometal PORAR 6K A2+RUSP 4.8X25+TIIV D=9.5MM)
- 4. SCREW S1H48025D03 (SFS intec SD3-4.8x25)
- 5. VERTICAL JOINT FLASHING CA1VJ7X
- 6. HORIZONTAL BRACE STRIP (for fastening studs)

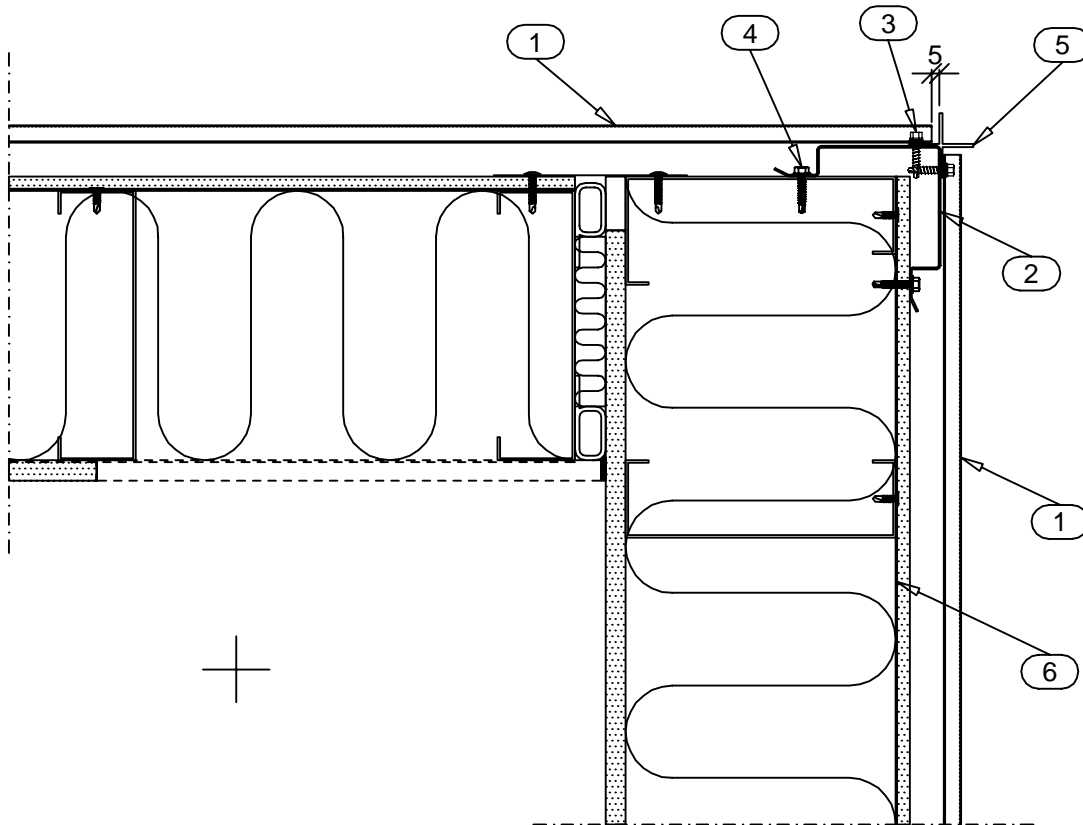
DELIVERY OF RUUKKI



Contents of drawing

Design Profiles, horizontal installation  
External corner  
Horizontal section

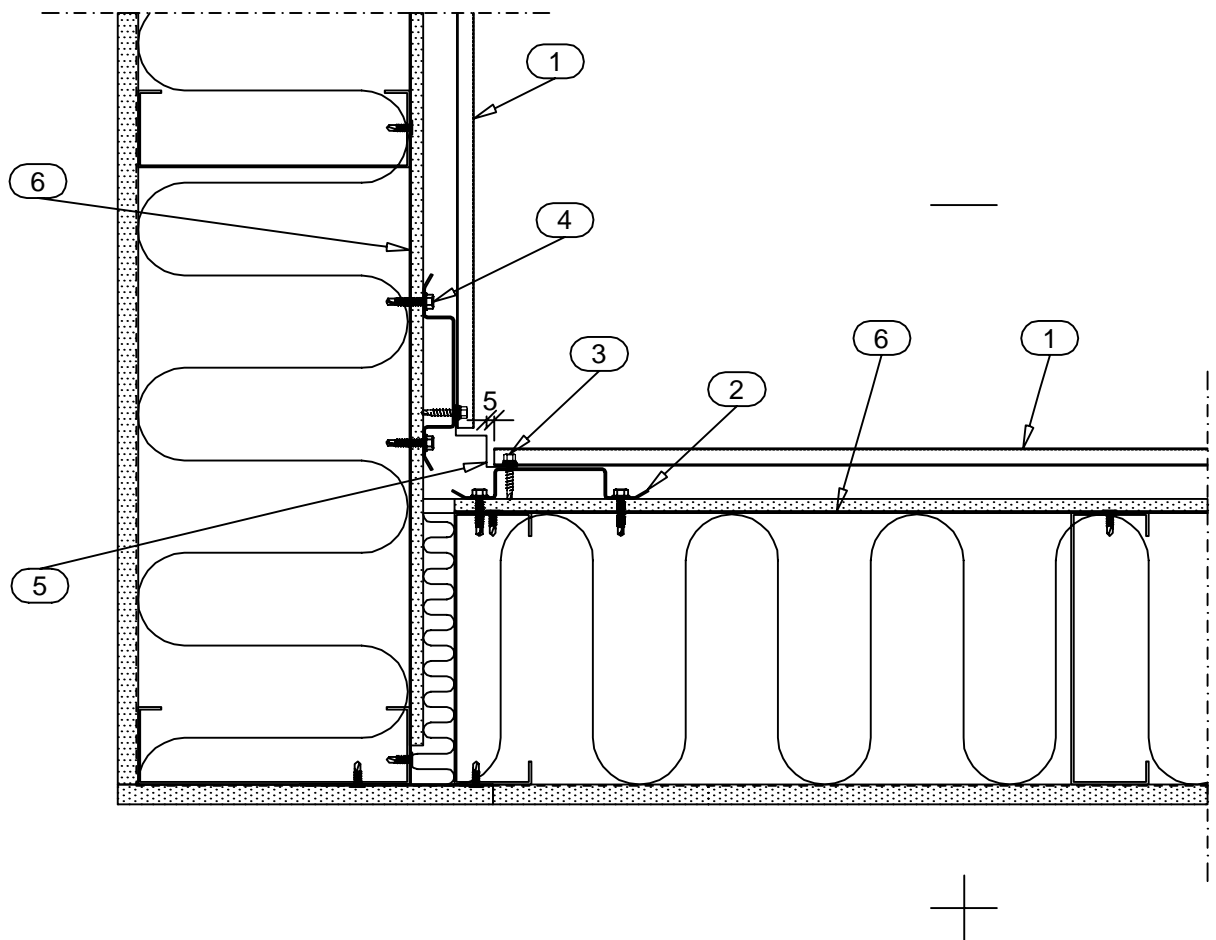
Date 12.08.2011	Rev. date	Work nr.	Drw. nr. DPDE-4	Rev.
Drawn by Ruukki	Rev.			
Scale 1:5	Building		File nr.	



- 1. DESIGN PROFILE, E.G. DESIGN VENICE S10
- 2. SUPPORT STUD CORNER CA1SSC1
- 3. SCREW S3H4825D4S9.5 (Ferrometal PORAR 6K A2+RUSP 4.8X25+TIIV D=9.5MM)
- 4. SCREW S1H48025D03 (SFS intec SD3-4.8x25)
- 5. EXTERNAL CORNER FLASHING CA1EC7X
- 6. HORIZONTAL BRACE STRIP (for fastening studs)

DELIVERY OF RUUKKI

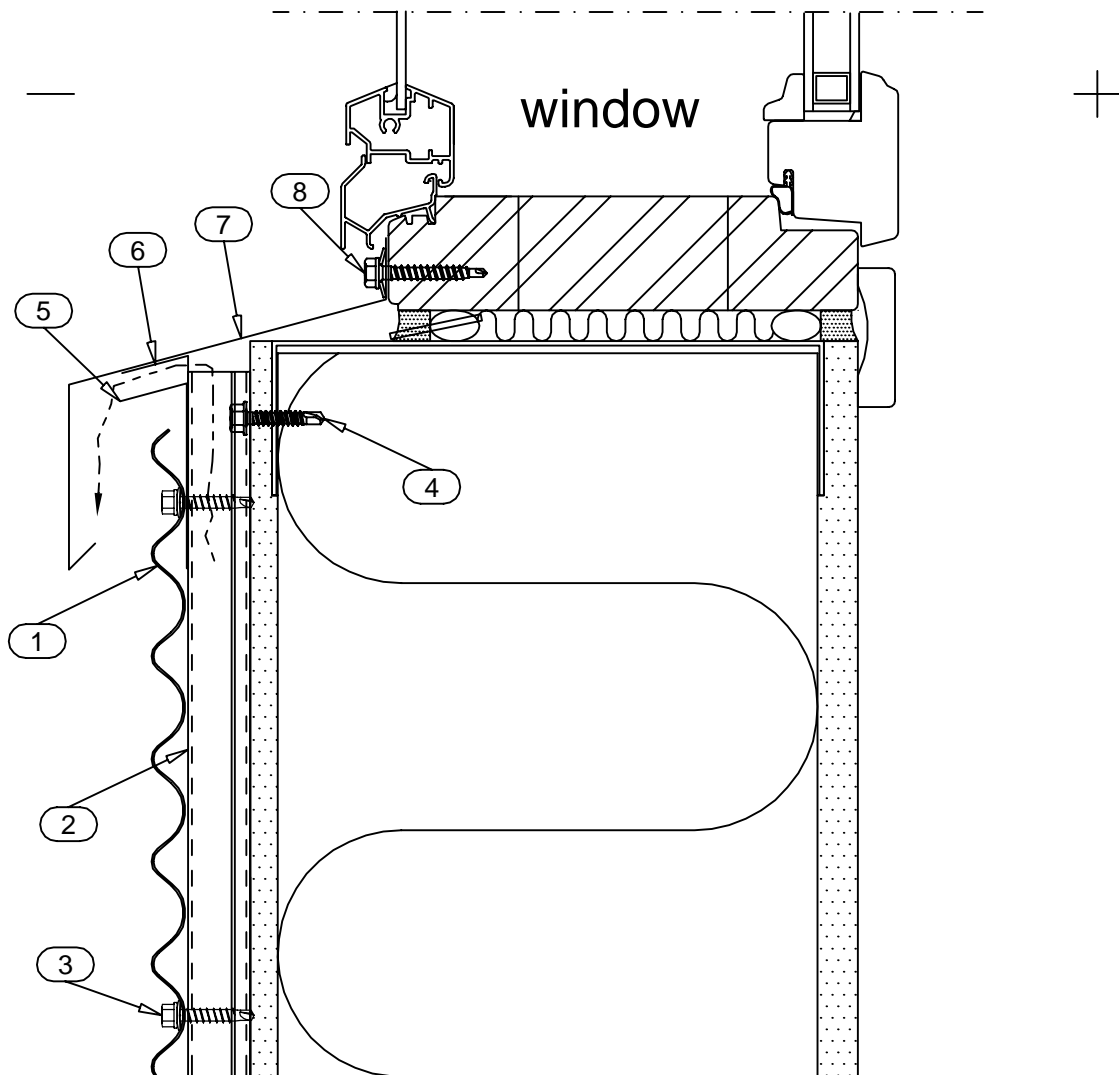
Date 12.08.2011	Rev. date	Work nr.	Drw. nr. DPDE-5	Rev.
Drawn by Ruukki	Rev.			
Scale 1:5	Building		File nr.	



- 1. DESIGN PROFILE, E.G. DESIGN VENICE S10
- 2. SUPPORT STUD CA1SS1
- 3. SCREW S3H4825D4S9.5 (Ferrometal PORAR 6K A2+RUSP 4.8X25+TIIV D=9.5MM)
- 4. SCREW S1H48025D03 (SFS intec SD3-4.8x25)
- 5. INTERNAL CORNER FLASHING CA1IC1X
- 6. HORIZONTAL BRACE STRIP (for fastening studs)

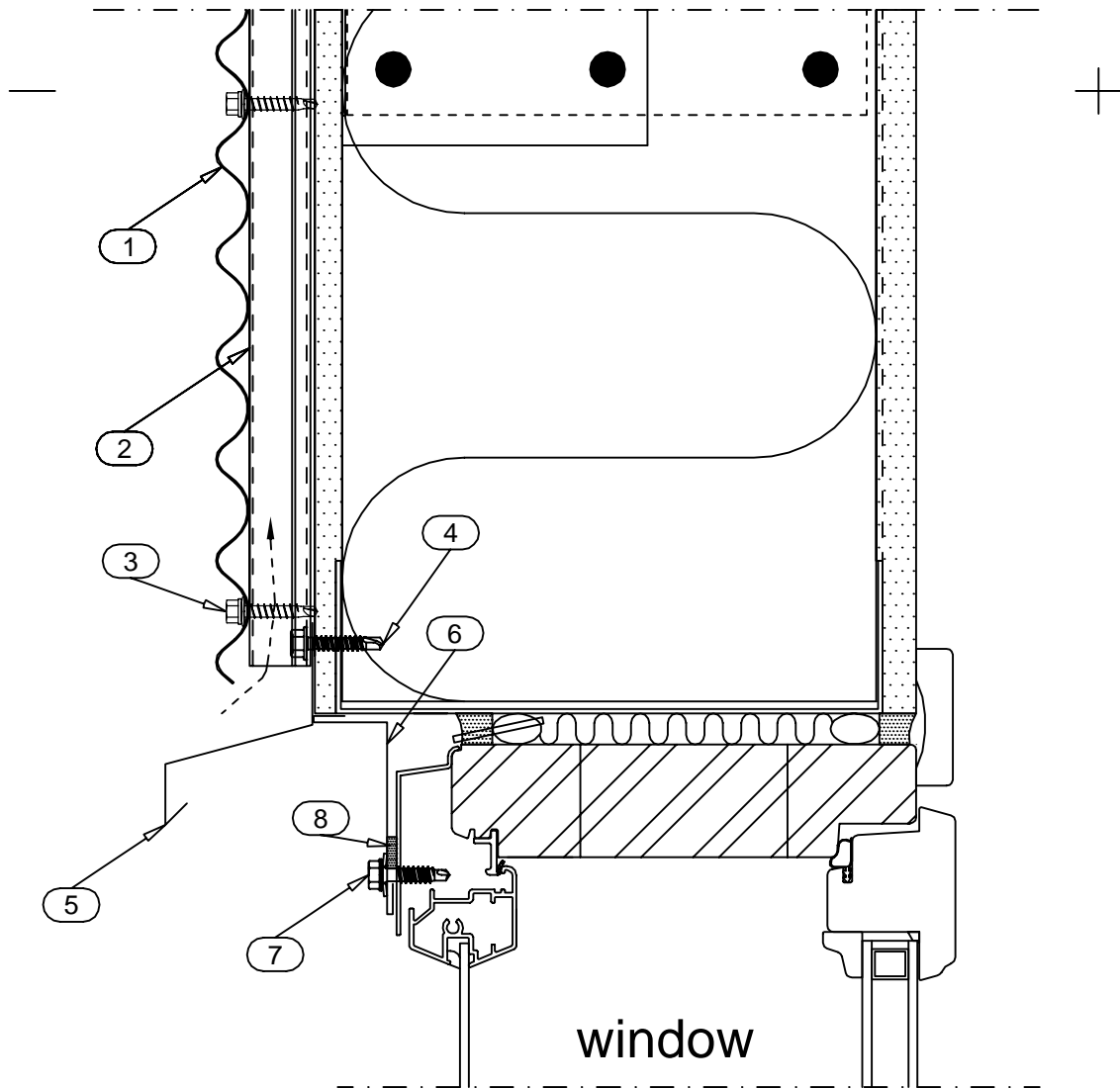
DELIVERY OF RUUKKI

Date 12.08.2011	Rev. date	Work nr.	Drw. nr. DPDE-6	Rev.
Drawn by Ruukki	Rev.			
Scale 1:2.5	Building		File nr.	



- 1. DESIGN PROFILE, E.G. DESIGN VENICE S10
- 2. SUPPORT STUD CA1SS1
- 3. SCREW S3H4825D4S9.5 (Ferrometal PORAR 6K A2+RUSP 4.8x25+TIIV D=9.5MM)
- 4. SCREW S1H48025D03 (SFS intec SD3-4.8x25)
- 5. STORM FLASHING CA1ST1X
- 6. SUPPORT FLASHING CA1SU1X
- 7. SILL FLASHING CA1S1X
- 8. SCREW S3H48035WA4 (SFS intec SW2-S-A14-4.8x35)
- DELIVERY OF RUUKKI

Date 12.08.2011	Rev. date	Work nr.	Drw. nr. DPDE-7	Rev.
Drawn by Ruukki	Rev.		File nr.	
Scale 1:2.5	Building			

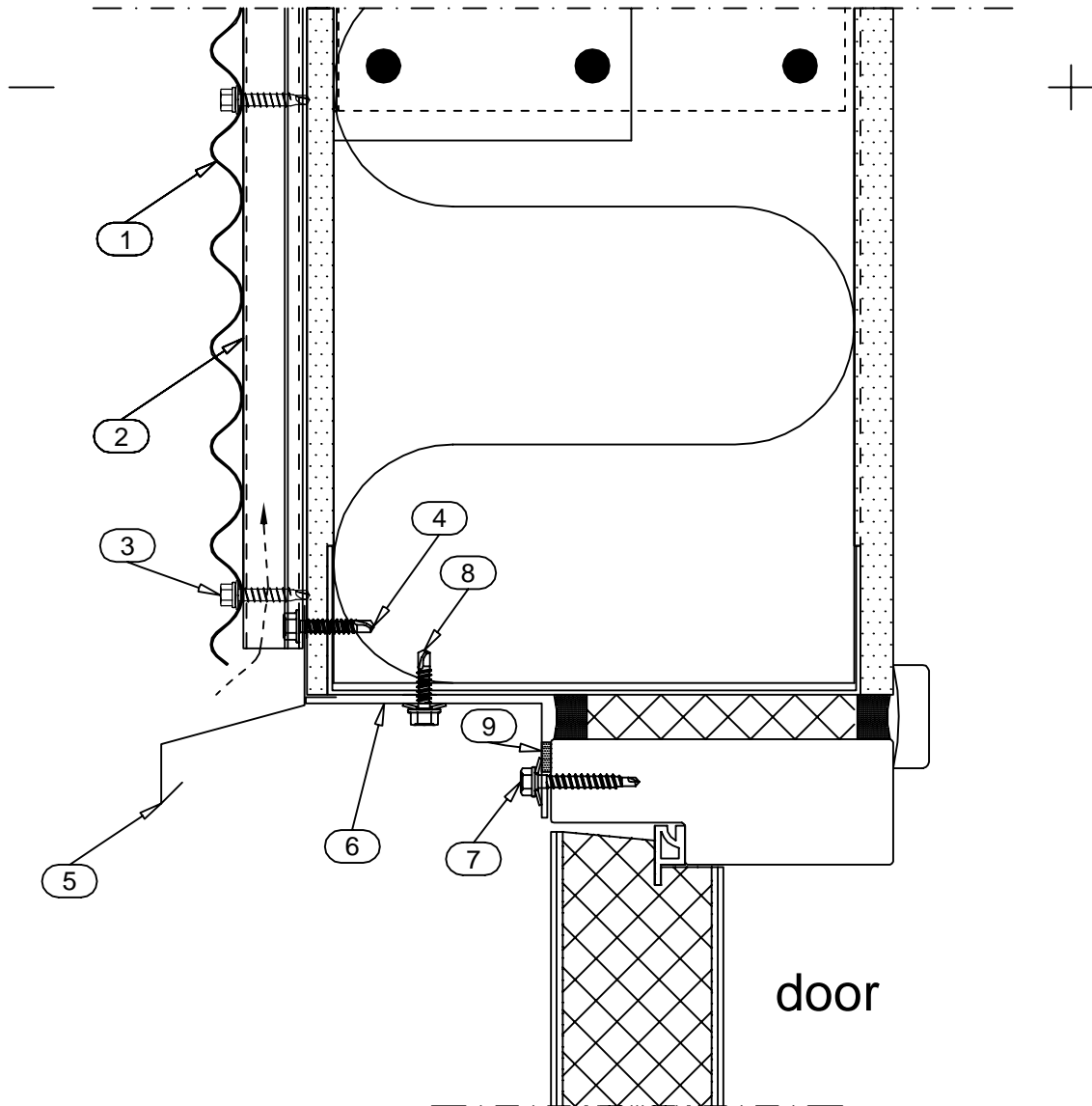


- 1. DESIGN PROFILE, E.G. DESIGN VENICE S10
- 2. SUPPORT STUD CA1SS1
- 3. SCREW S3H4825D4S9.5 (Ferrometal PORAR 6K A2+RUSP 4.8X25+TIIV D=9.5MM)
- 4. SCREW S1H48025D03 (SFS intec SD3-4.8x25)
- 5. (SILL) FLASHING CA1S1X
- 6. COVER FLASHING CA1C10X
- 7. SCREW S3H55022L02A4 (SFS intec SL2-S-A14-5.5x22)
- 8. SEALING STRIP EA3SS410

DELIVERY OF RUUKKI



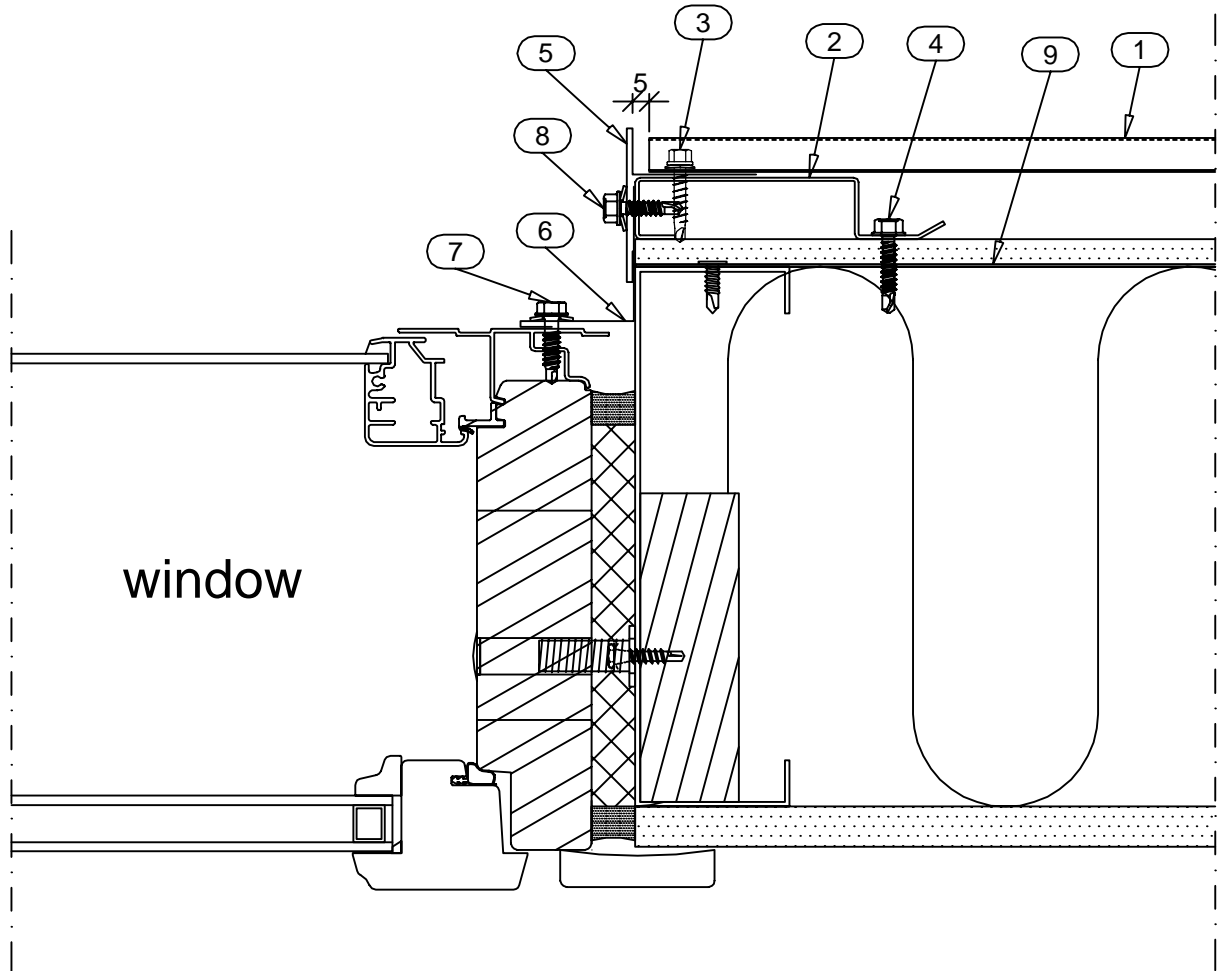
Date 12.08.2011	Rev. date	Work nr.	Drw. nr. DPDE-8	Rev.
Drawn by Ruukki	Rev.			
Scale 1:2.5	Building		File nr.	



- 1. DESIGN PROFILE, E.G. DESIGN VENICE S10
- 2. SUPPORT STUD CA1SS1
- 3. SCREW S3H4825D4S9.5 (Ferrometal PORAR 6K A2+RUSP 4.8X25+TIIV D=9.5MM)
- 4. SCREW S1H48025D03 (SFS intec SD3-4.8x25)
- 5. (SILL) FLASHING CA1S1X
- 6. COVER FLASHING CA1C10X
- 7. SCREW S3H48035WA4 (SFS intec SW2-S-A14-4.8x35)
- 8. SCREW S3H48020D03A4 (SFS intec SD3-S-A14-4.8x20)
- 9. SEALING STRIP EA3SS410

DELIVERY OF RUUKKI

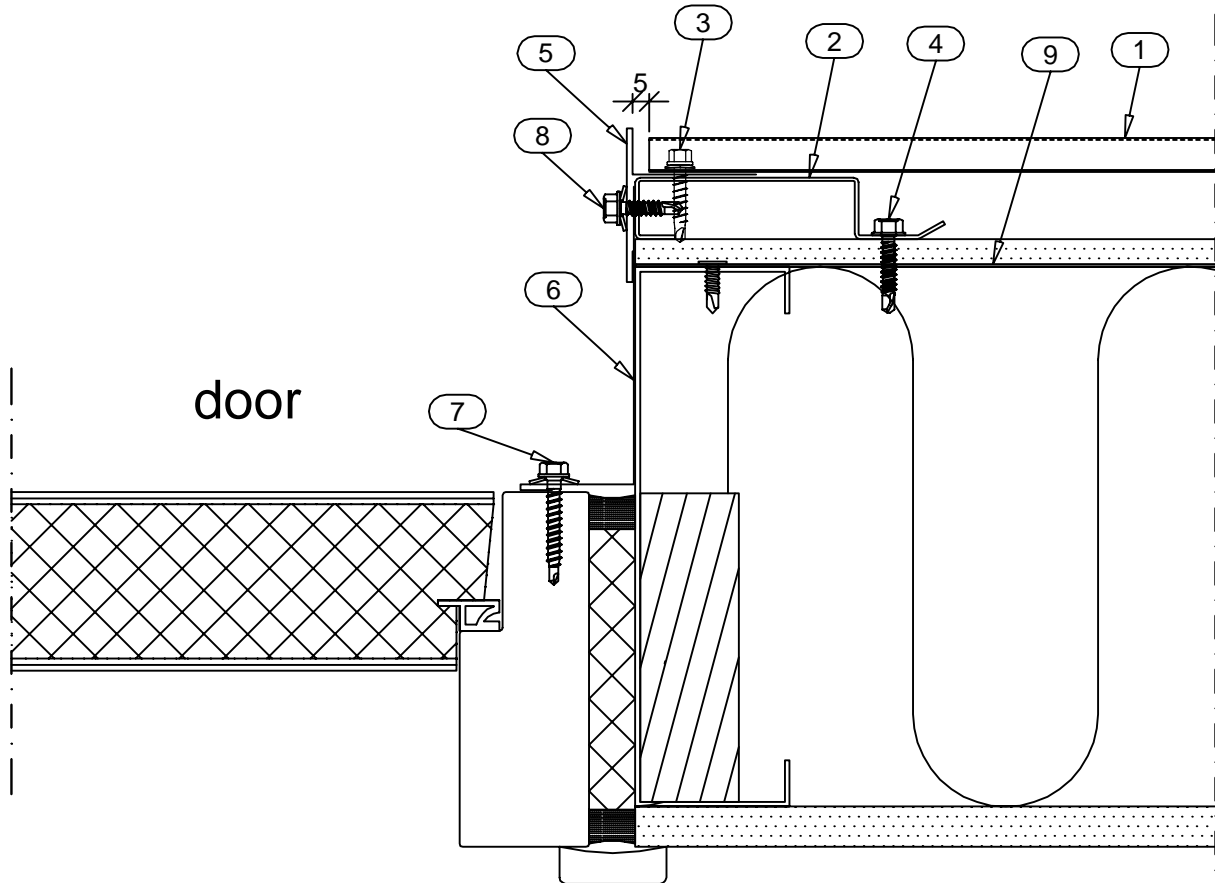
Date 12.08.2011	Rev. date	Work nr.	Drw. nr. DPDE-9	Rev.
Drawn by Ruukki	Rev.			
Scale 1:2.5	Building		File nr.	



- 1. DESIGN PROFILE, E.G. DESIGN VENICE S10
- 2. SUPPORT STUD CA1RS1
- 3. SCREW S3H4825D4S9.5 (Ferrometal PORAR 6K A2+RUSP 4.8X25+TIIV D=9.5MM)
- 4. SCREW S1H48025D03 (SFS intec SD3-4.8x25)
- 5. COVER FLASHING CA1C3X
- 6. COVER FLASHING CA1C12X
- 7. SCREW S3H55022L02A4 (SFS intec SL2-S-A14-5.5x22)
- 8. SCREW S3H48020D03A4 (SFS intec SD3-S-A14-4.8x20)
- 9. HORIZONTAL BRACE STRIP (for fastening studs)

DELIVERY OF RUUKKI

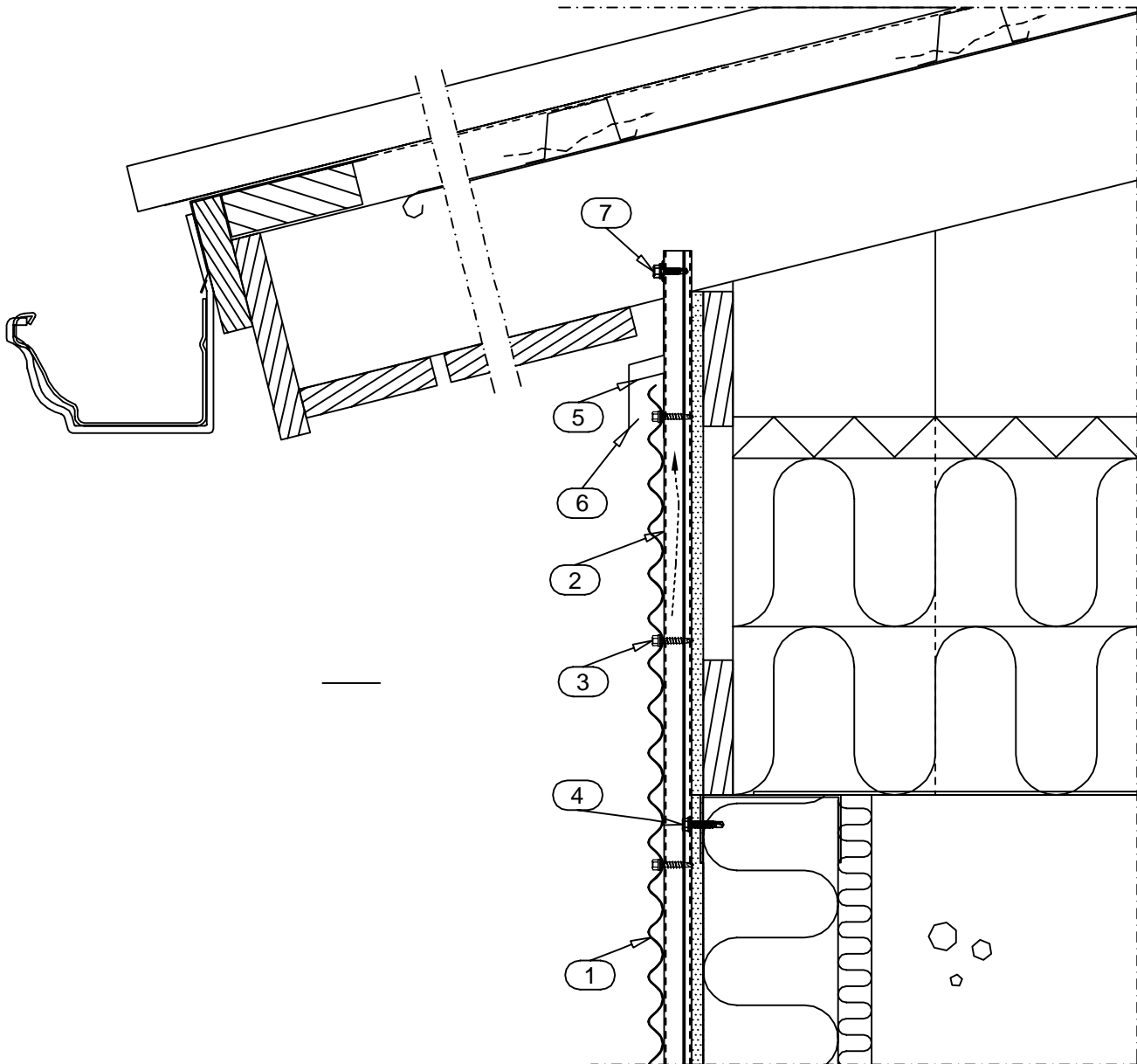
Date 12.08.2011	Rev. date	Work nr.	Drw. nr. DPDE-10	Rev.
Drawn by Ruukki	Rev.			
Scale 1:2.5	Building		File nr.	



- 1. DESIGN PROFILE, E.G. DESIGN VENICE S10
- 2. SUPPORT STUD CA1RS1
- 3. SCREW S3H4825D4S9.5 (Ferrometal PORAR 6K A2+RUSP 4.8X25+TIIV D=9.5MM)
- 4. SCREW S1H48025D03 (SFS intec SD3-4.8x25)
- 5. COVER FLASHING CA1C3X
- 6. COVER FLASHING CA1C12X
- 7. SCREW S3H48035WA4 (SFS intec SW2-S-A14-4.8x35)
- 8. SCREW S3H48020D03A4 (SFS intec SD3-S-A14-4.8x20)
- 9. HORIZONTAL BRACE STRIP (for fastening studs)

DELIVERY OF RUUKKI

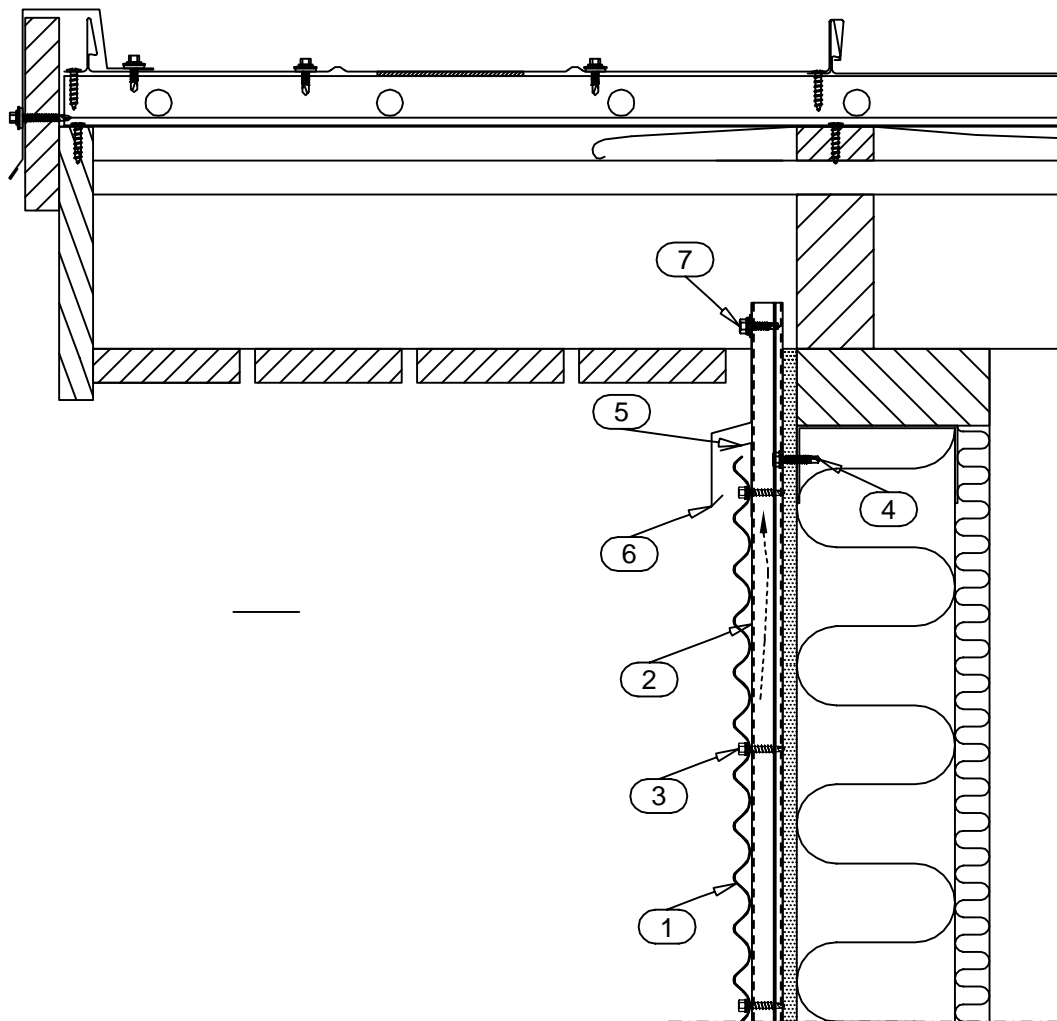
Date 12.08.2011	Rev. date	Work nr.	Drw. nr. DPDE-11	Rev.
Drawn by Ruukki	Rev.			
Scale 1:5	Building		File nr.	



- 1. DESIGN PROFILE, E.G. DESIGN VENICE S10
- 2. SUPPORT STUD CA1SS1
- 3. SCREW S3H4825D4S9.5 (Ferrometal PORAR 6K A2+RUSP 4.8X25+TIIV D=9.5MM)
- 4. SCREW S1H48025D03 (SFS intec SD3-4.8x25)
- 5. STORM FLASHING CA1ST1X
- 6. EAVES FLASHING CA1E1X
- 7. SCREW S3H48020D03A4 (SFS intec SD3-S-A14-4.8x20)

DELIVERY OF RUUKKI

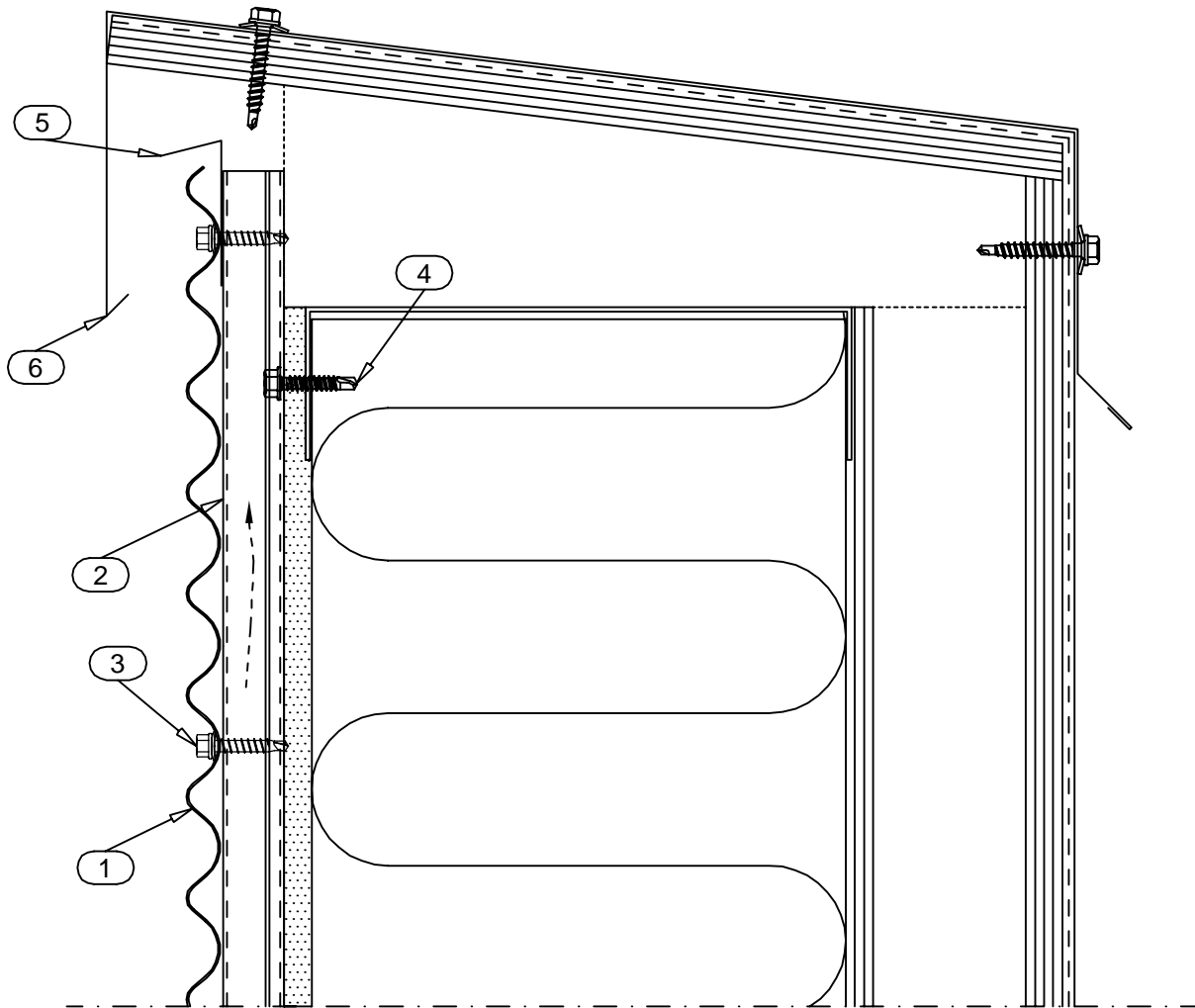
Date 12.08.2011	Rev. date	Work nr.	Drw. nr. DPDE-12	Rev.
Drawn by Ruukki	Rev.			
Scale 1:5	Building		File nr.	



- 1. DESIGN PROFILE, E.G. DESIGN VENICE S10
- 2. SUPPORT STUD CA1SS1
- 3. SCREW S3H4825D4S9.5 (Ferrometal PORAR 6K A2+RUSP 4.8X25+TIIV D=9.5MM)
- 4. SCREW S1H48025D03 (SFS intec SD3-4.8x25)
- 5. STORM FLASHING CA1ST1X
- 6. EAVES FLASHING CA1E1X
- 7. SCREW S3H48020D03A4 (SFS intec SD3-S-A14-4.8x20)

DELIVERY OF RUUKKI

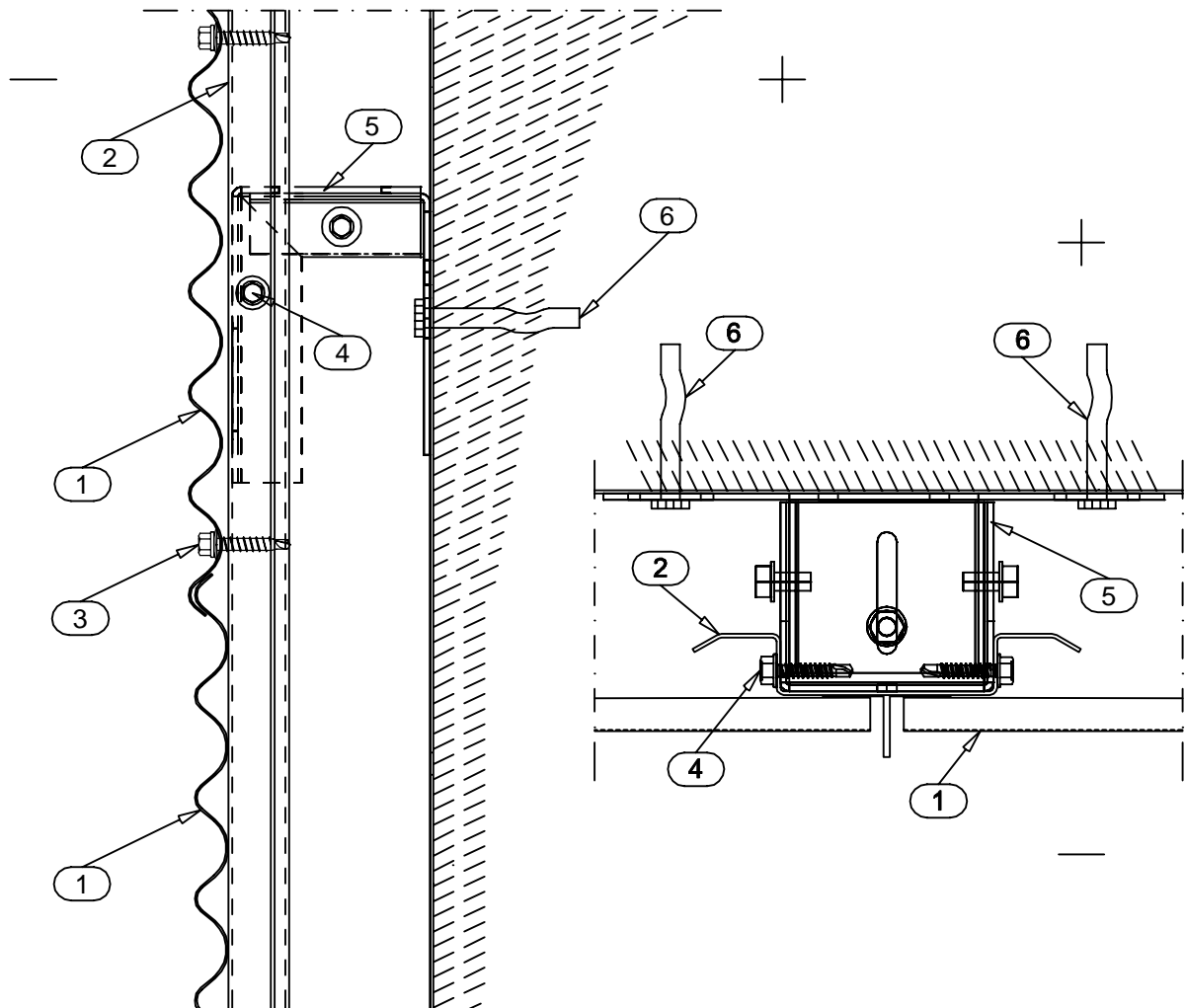
Date 12.08.2011	Rev. date	Work nr.	Drw. nr. DPDE-13	Rev.
Drawn by Ruukki	Rev.			
Scale 1:2.5	Building		File nr.	



- 1. DESIGN PROFILE, E.G. DESIGN VENICE S10
- 2. SUPPORT STUD CA1SS1
- 3. SCREW S3H4825D4S9.5 (Ferrometal PORAR 6K A2+RUSP 4.8X25+TIIV D=9.5MM)
- 4. SCREW S1H48025D03 (SFS intec SD3-4.8x25)
- 5. STORM FLASHING CA1ST1X
- 6. EAVES FLASHING CA1E2X

DELIVERY OF RUUKKI

Date 12.08.2011	Rev. date	Work nr.	Drw. nr. DPDE-14	Rev.
Drawn by Ruukki	Rev.			
Scale 1:2.5	Building		File nr.	



- 1. DESIGN PROFILE, E.G. DESIGN VENICE S10
- 2. SUPPORT STUD CA1SS1
- 3. SCREW S3H4825D4S9.5 (Ferrometal PORAR 6K A2+RUSP 4.8X25+TIIV D=9.5MM)
- 4. SCREW S1H48025D03 (SFS intec SD3-4.8x25)
- 5. ADJUSTABLE FASTENER CAFRSP
- 6. FASTENER

DELIVERY OF RUUKKI