
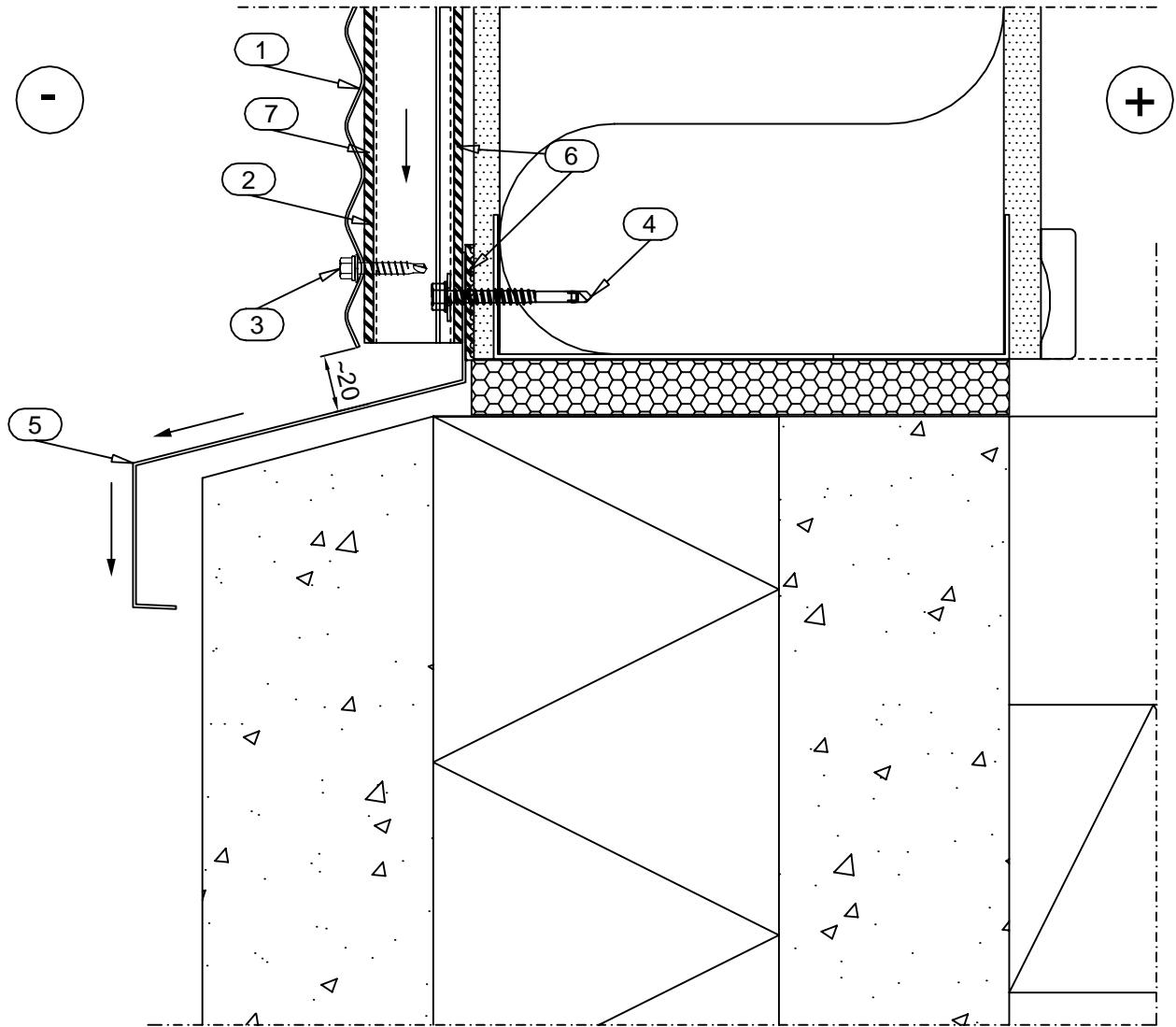


Drw. nr.	Contents of drawing	Date	Rev.	Rev. date
DPCS7DE-1	Plinth, vertical section	12.08.2011	.	.
DPCS7DE-2	Horizontal joint, vertical section	12.08.2011	A	22.02.2016
DPCS7DE-3	Vertical joint, horizontal section	12.08.2011	.	.
DPCS7DE-4	External corner, horizontal section	12.08.2011	.	.
DPCS7DE-5	Internal corner, horizontal section	12.08.2011	.	.
DPCS7DE-6	Lower edge of window, vertical section	12.08.2011	.	.
DPCS7DE-7	Upper edge of window, vertical section	12.08.2011	.	.
DPCS7DE-8	Upper edge of door, vertical section	12.08.2011	.	.
DPCS7DE-9	Vertical edge of window, horizontal section	12.08.2011	.	.
DPCS7DE-10	Vertical edge of door, horizontal section	12.08.2011	.	.
DPCS7DE-11	Side eaves, vertical section	12.08.2011	.	.
DPCS7DE-12	Gable eaves, vertical section	12.08.2011	.	.
DPCS7DE-13	Short eaves, vertical section	12.08.2011	.	.
DPCS7DE-14	Horizontal and vertical joint, support studs fastened by adjustable fastener	12.08.2011	.	.

City sector	Block	Site/Reg. nr.	File nr.	
Building type		Drawing type		Nr.
Building, Name and address		Contents of drawing		Scale
		Design Cor-Ten S7		
		BASE DETAIL DRAWINGS		
Date 12.08.2011	Designer Ruukki	Work nr.	Work nr.	Drw. nr. Rev.
Drawn by	Checked			

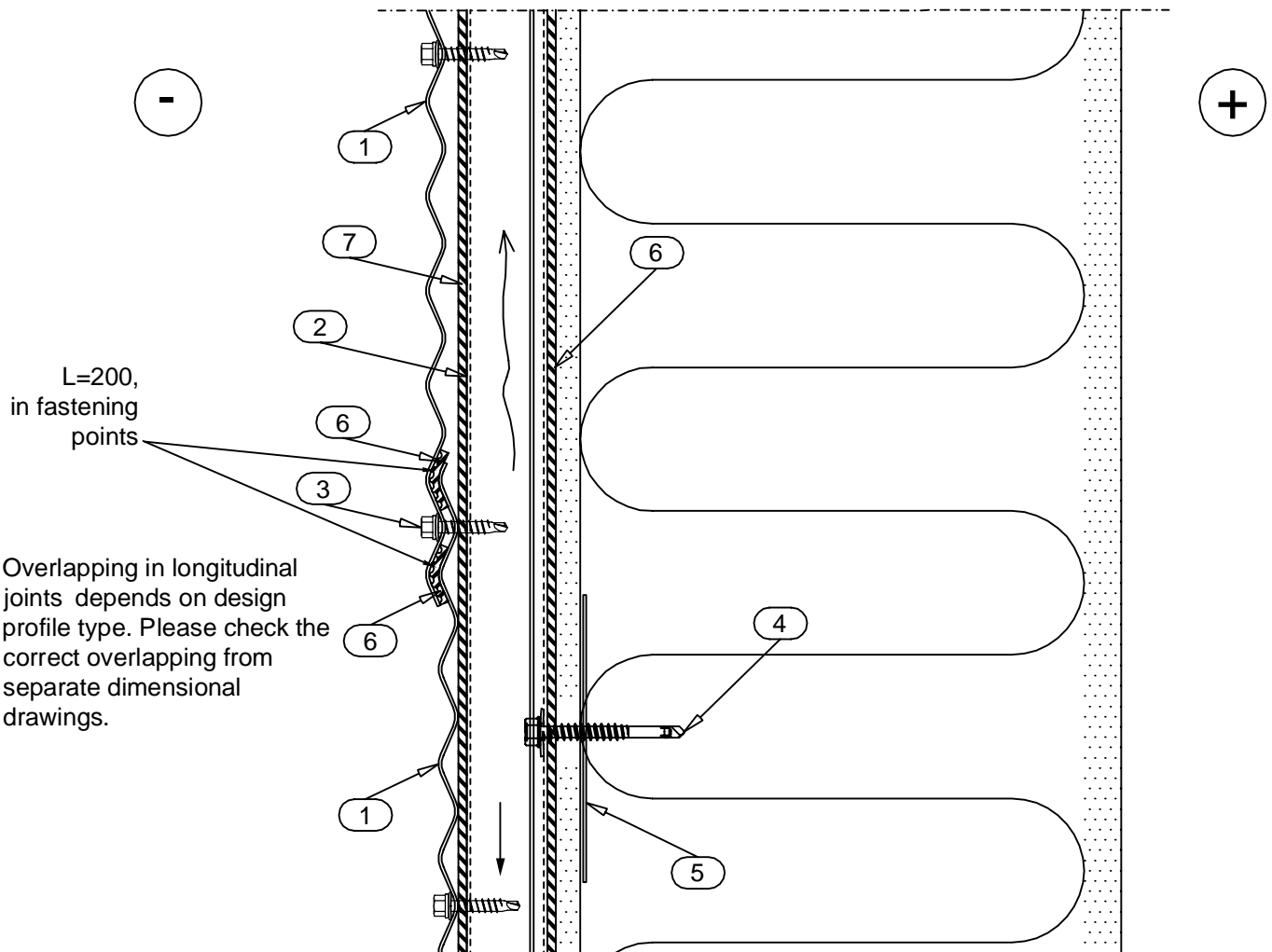
Date 12.08.2011	Rev. date	Work nr.	Drw. nr. DPCS7DE-1	Rev.
Drawn by Ruukki	Rev.			
Scale 1:2.5	Building		File nr.	



- 1. DESIGN COR-TEN S7
- 2. SUPPORT STUD CA1SS4
- 3. SCREW S3H4825D4S9.5 (Ferrometal PORAR 6K A2+RUSP 4.8X25+TIIV D=9.5MM)
- 4. SCREW S3H60050D03S6 (SFS intec SX3/20-S16-6x50)
- 5. PLINTH FLASHING CA1P2X
- 6. SEPARATING STRIP EPDM CA3SE420
- 7. SEPARATING STRIP EPDM CA3SE410

DELIVERY OF RUUKKI

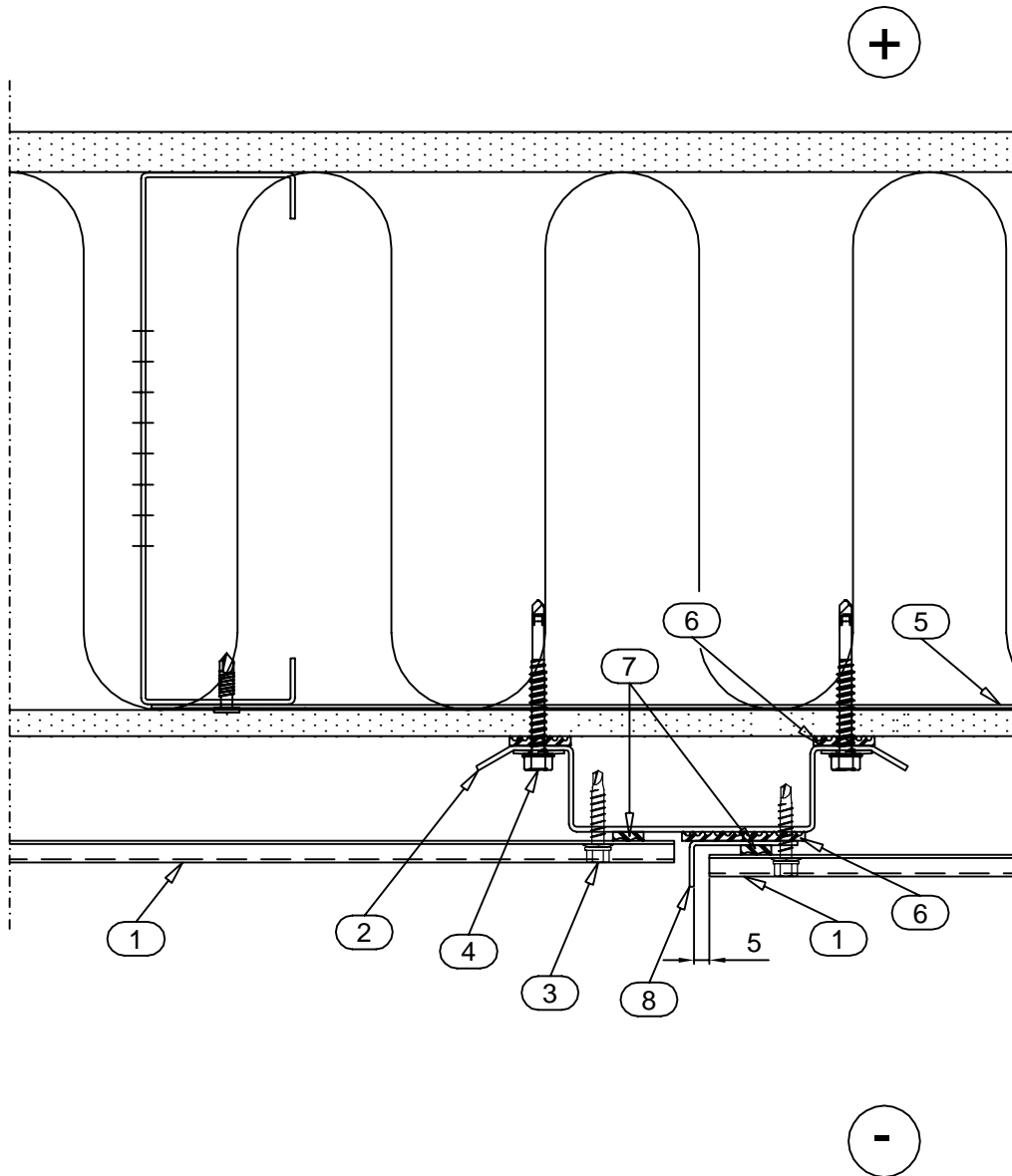
Date 12.08.2011	Rev. date 22.02.2016	Work nr.	Drw. nr. DPCS7DE-2	Rev.
Drawn by Ruukki	Rev. A			
Scale 1:2.5	Building		File nr.	



- 1. DESIGN COR-TEN S7
- 2. SUPPORT STUD CA1SS4
- 3. SCREW S3H4825D4S9.5 (Ferrometal PORAR 6K A2+RUSP 4.8X25+TIIV D=9.5MM)
- 4. SCREW S3H60050D03S6 (SFS intec SX3/20-S16-6x50)
- 5. HORIZONTAL BRACE STRIP (for fastening studs)
- 6. SEPARATING STRIP EPDM CA3SE420
- 7. SEPARATING STRIP EPDM CA3SE410

- DELIVERY OF RUUKKI

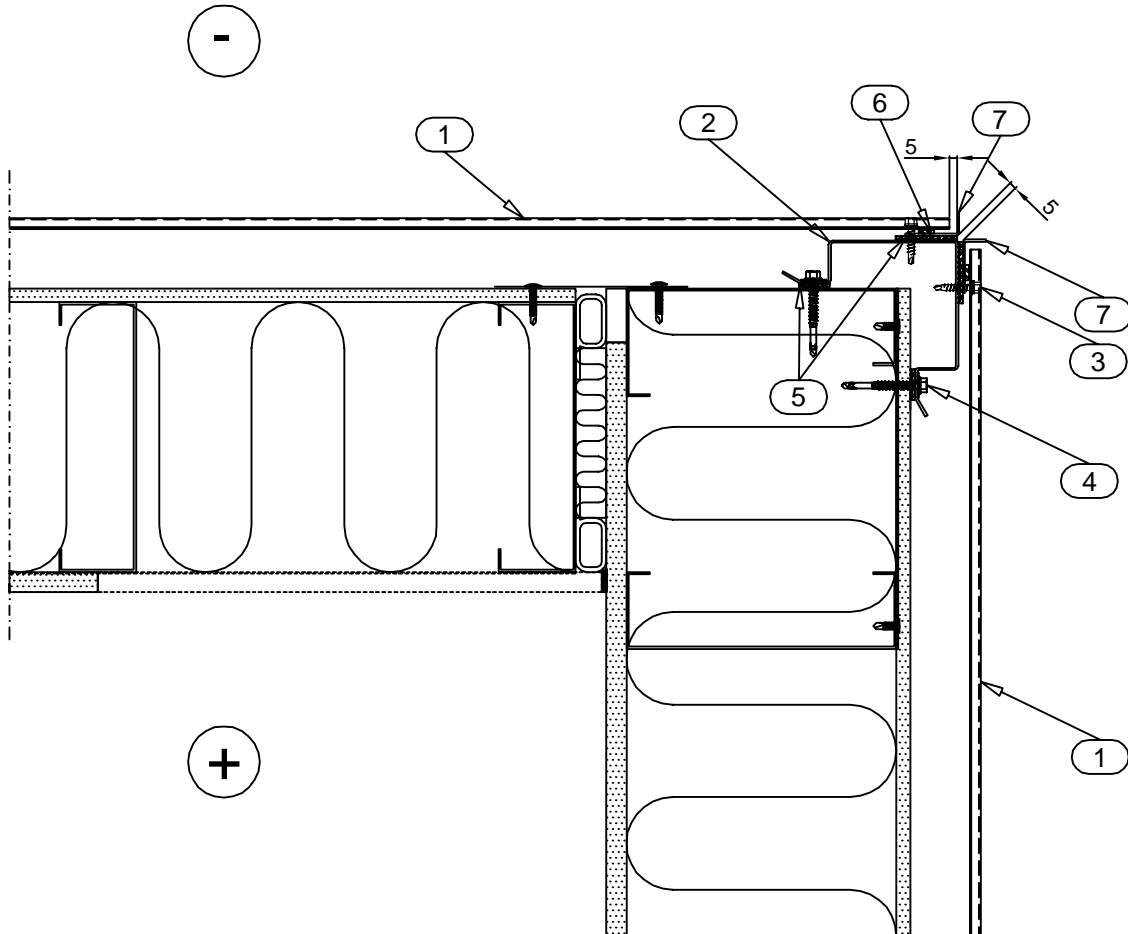
12.08.2011	Rev. date	Work nr.	Drw. nr.	Rev.
Ruukki	Rev.		DPCS7DE-3	
1:2.5	Building		File nr.	



- 1. DESIGN COR-TEN S7
- 2. SUPPORT STUD CA1SS4
- 3. SCREW S3H4825D4S9.5 (Ferrometal PORAR 6K A2+RUSP 4.8X25+TIIV D=9.5MM)
- 4. SCREW S3H60050D03S6 (SFS intec SX3/20-S16-6x50)
- 5. HORIZONTAL BRACE STRIP (for fastening studs)
- 6. SEPARATING STRIP EPDM CA3SE420
- 7. SEPARATING STRIP EPDM CA3SE410
- 8. VERTICAL JOINT FLASHING CA1VJ17

DELIVERY OF RUUKKI

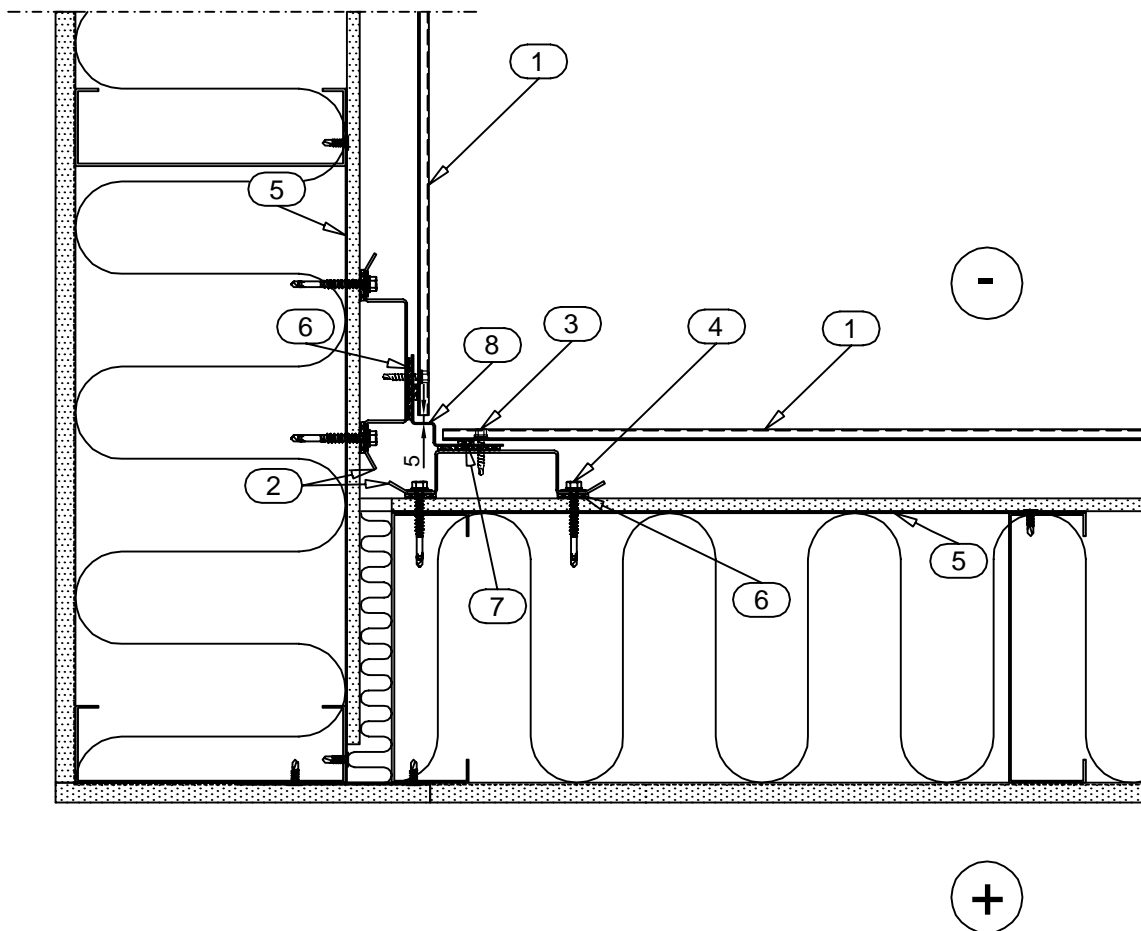
Date 12.08.2011	Rev. date	Work nr.	Drw. nr. DPCS7DE-4	Rev.
Drawn by Ruukki	Rev.			
Scale 1:5	Building		File nr.	



- 1. DESIGN COR-TEN S7
- 2. SUPPORT STUD CORNER CA1SSC3
- 3. SCREW S3H4825D4S9.5 (Ferrometal PORAR 6K A2+RUSP 4.8X25+TIIV D=9.5MM)
- 4. SCREW S3H60050D03S6 (SFS intec SX3/20-S16-6x50)
- 5. SEPARATING STRIP EPDM CA3SE420
- 6. SEPARATING STRIP EPDM CA3SE410
- 7. EXTERNAL CORNER FLASHING CA1EC16

DELIVERY OF RUUKKI

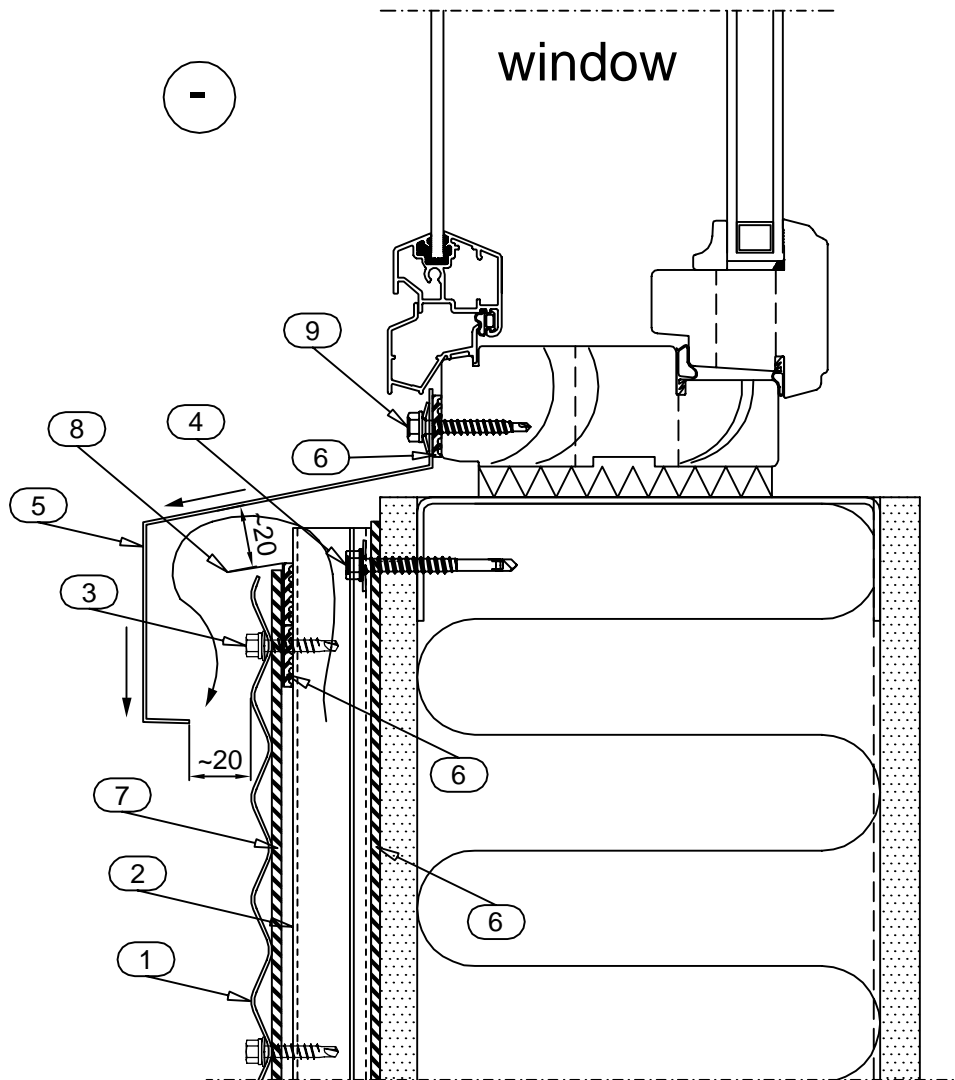
Date 12.08.2011	Rev. date	Work nr.	Drw. nr. DPCS7DE-5	Rev.
Drawn by Ruukki	Rev.			
Scale 1:5	Building		File nr.	



- 1. DESIGN COR-TEN S7
- 2. SUPPORT STUD CA1SS4
- 3. SCREW S3H4825D4S9.5 (Ferrometal PORAR 6K A2+RUSP 4.8X25+TIIV D=9.5MM)
- 4. SCREW S3H60050D03S6 (SFS intec SX3/20-S16-6x50)
- 5. HORIZONTAL BRACE STRIP (for fastening studs)
- 6. SEPARATING STRIP EPDM CA3SE420
- 7. SEPARATING STRIP EPDM CA3SE410
- 8. INTERNAL CORNER FLASHING CA1IC14

DELIVERY OF RUUKKI

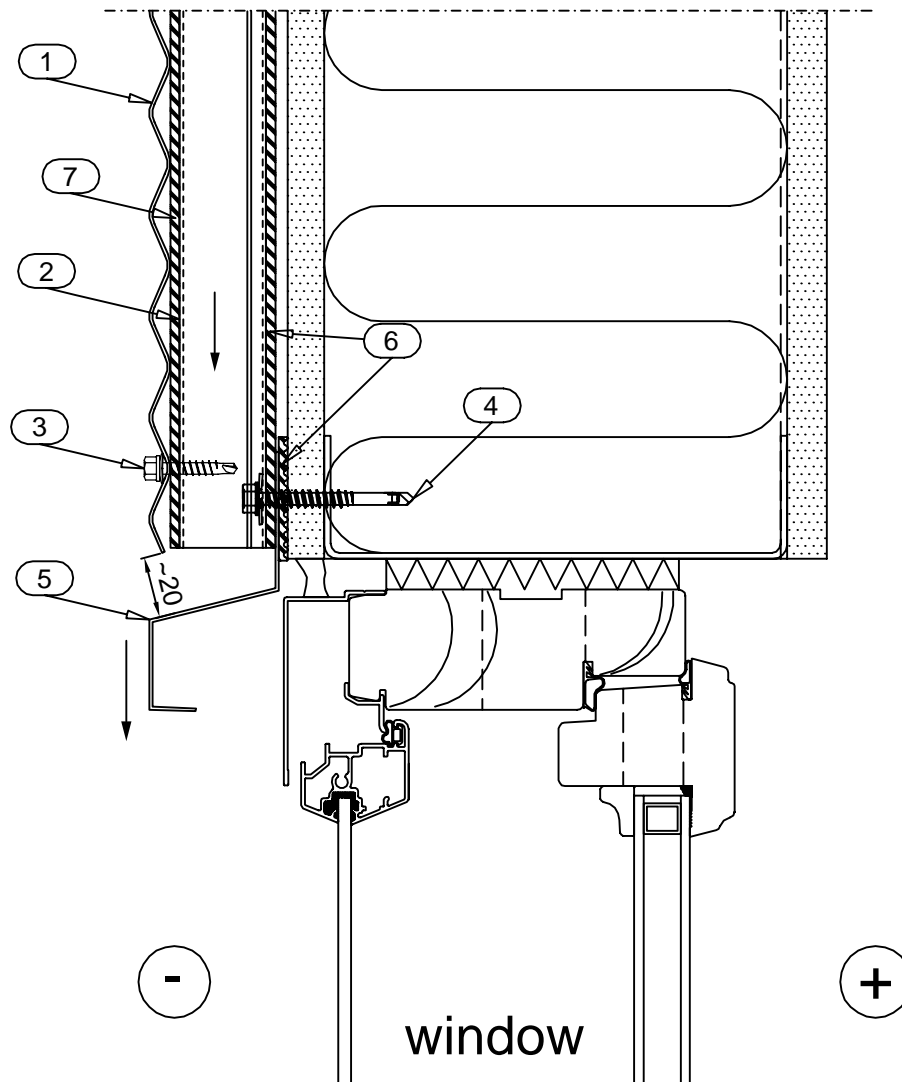
Date 12.08.2011	Rev. date	Work nr.	Drw. nr. DPCS7DE-6	Rev.
Drawn by Ruukki	Rev.			
Scale 1:2.5	Building		File nr.	



- 1. DESIGN COR-TEN S7
- 2. SUPPORT STUD CA1SS4
- 3. SCREW S3H4825D4S9.5 (Ferrometal PORAR 6K A2+RUSP 4.8X25+TIIV D=9.5MM)
- 4. SCREW S3H60050D03S6 (SFS intec SX3/20-S16-6x50)
- 5. SILL FLASHING CA1S2X
- 6. SEPARATING STRIP EPDM CA3SE420
- 7. SEPARATING STRIP EPDM CA3SE410
- 8. STORM FLASHING CA1ST1X (PVDF coated t=0.6)
- 9. SCREW S3H48035WA4 (SFS intec SW2-S-A14-4.8x35)

DELIVERY OF RUUKKI

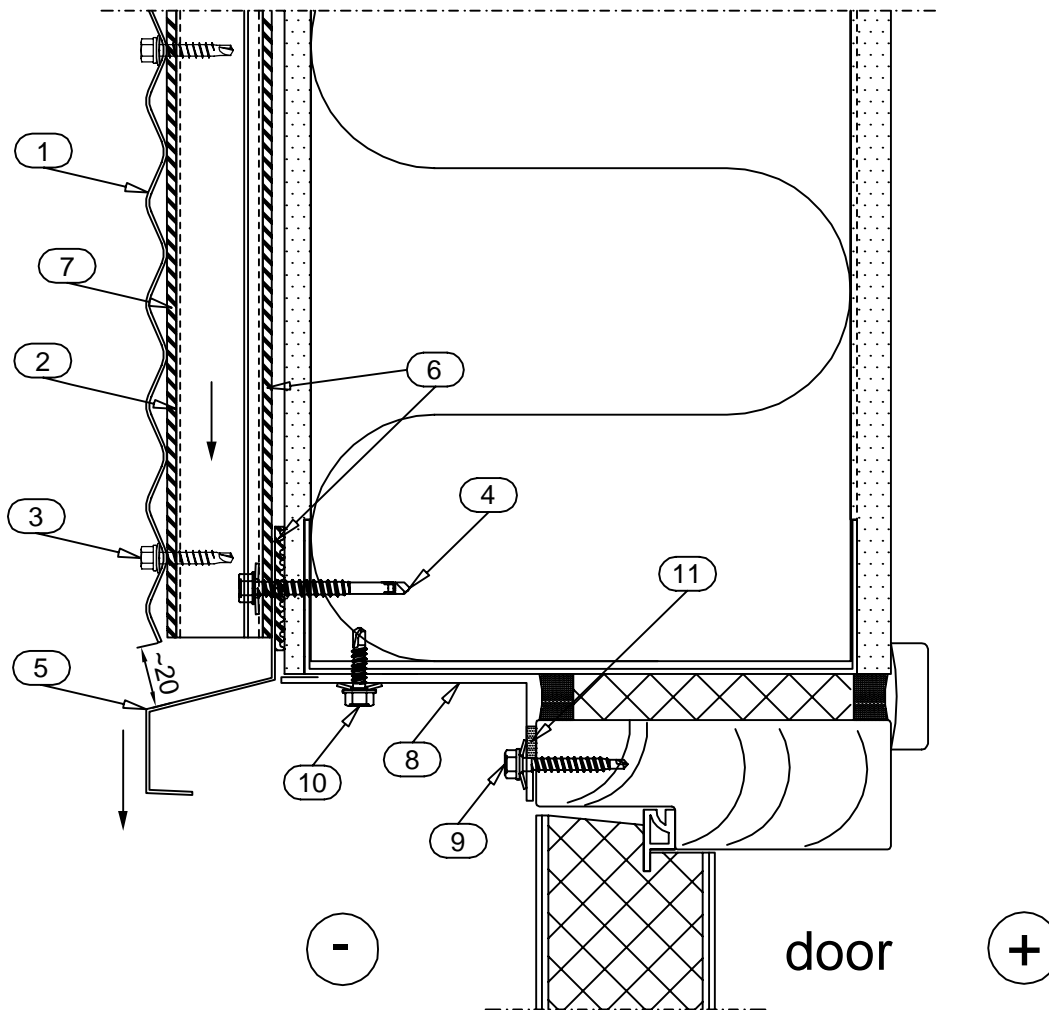
Date 12.08.2011	Rev. date	Work nr.	Drw. nr. DPCS7DE-7	Rev.
Drawn by Ruukki	Rev.			
Scale 1:2.5	Building		File nr.	



- 1. DESIGN COR-TEN S7
- 2. SUPPORT STUD CA1SS4
- 3. SCREW S3H4825D4S9.5 (Ferrometal PORAR 6K A2+RUSP 4.8X25+TIIV D=9.5MM)
- 4. SCREW S3H60050D03S6 (SFS intec SX3/20-S16-6x50)
- 5. (SILL) FLASHING CA1S2X
- 6. SEPARATING STRIP EPDM CA3SE420
- 7. SEPARATING STRIP EPDM CA3SE410

DELIVERY OF RUUKKI

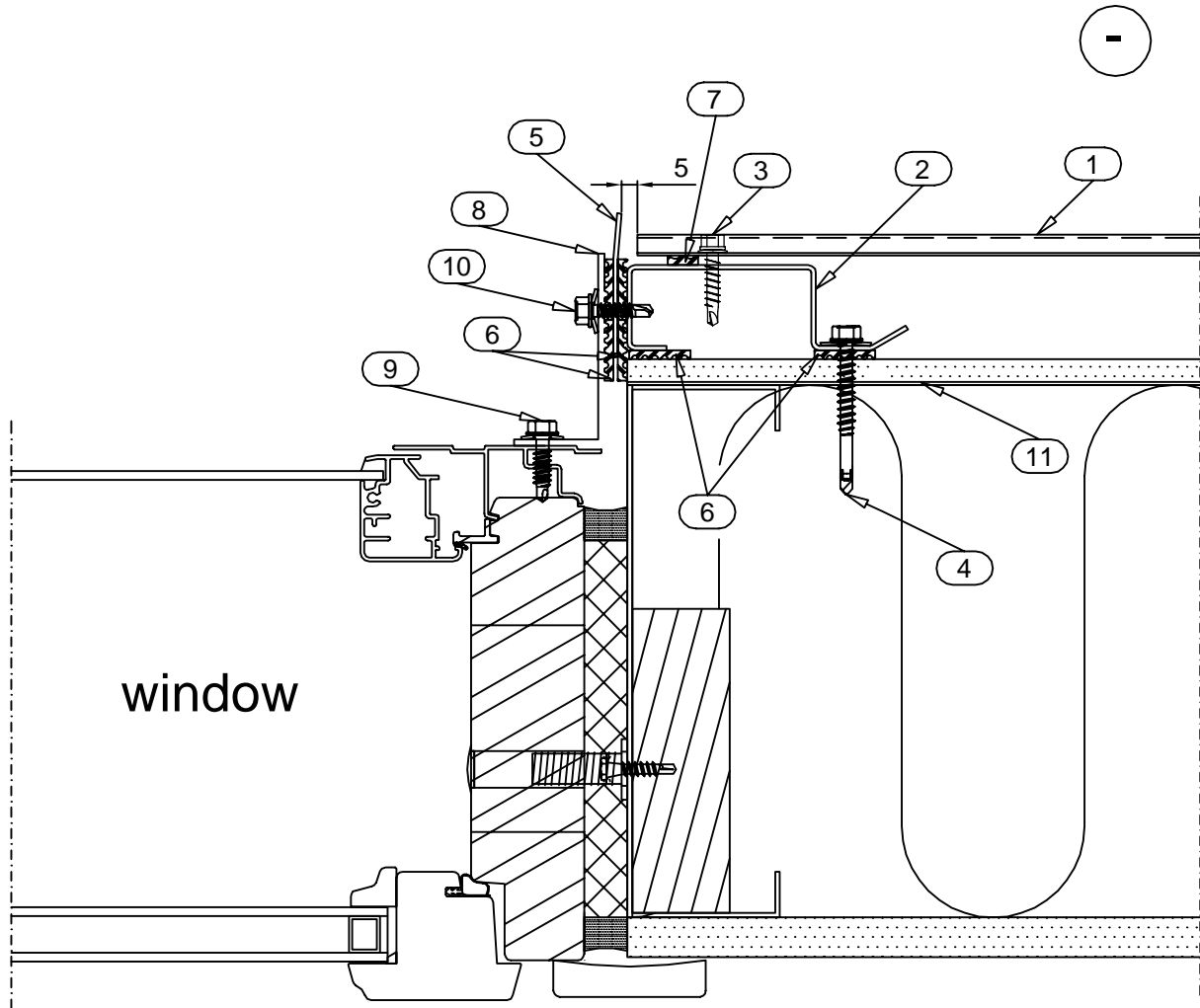
Date 12.08.2011	Rev. date	Work nr.	Rev.
Drawn by Ruukki	Rev.	DPCS7DE-8	
Scale 1:2.5	Building	File nr.	



- 1. DESIGN COR-TEN S7
- 2. SUPPORT STUD CA1SS4
- 3. SCREW S3H4825D4S9.5 (Ferrometal PORAR 6K A2+RUSP 4.8X25+TIIV D=9.5MM)
- 4. SCREW S3H60050D03S6 (SFS intec SX3/20-S16-6x50)
- 5. (SILL) FLASHING CA1S2X
- 6. SEPARATING STRIP EPDM CA3SE420
- 7. SEPARATING STRIP EPDM CA3SE410
- 8. COVER FLASHING CA1C10X (PVDF coated t=0.6)
- 9. SCREW S3H48035WA4 (SFS intec SW2-S-A14-4.8x35)
- 10. SCREW S3H48020D03A4 (SFS intec SD3-S-A14-4.8x20)
- 11. SEALING STRIP EA3SS410

DELIVERY OF RUUKKI

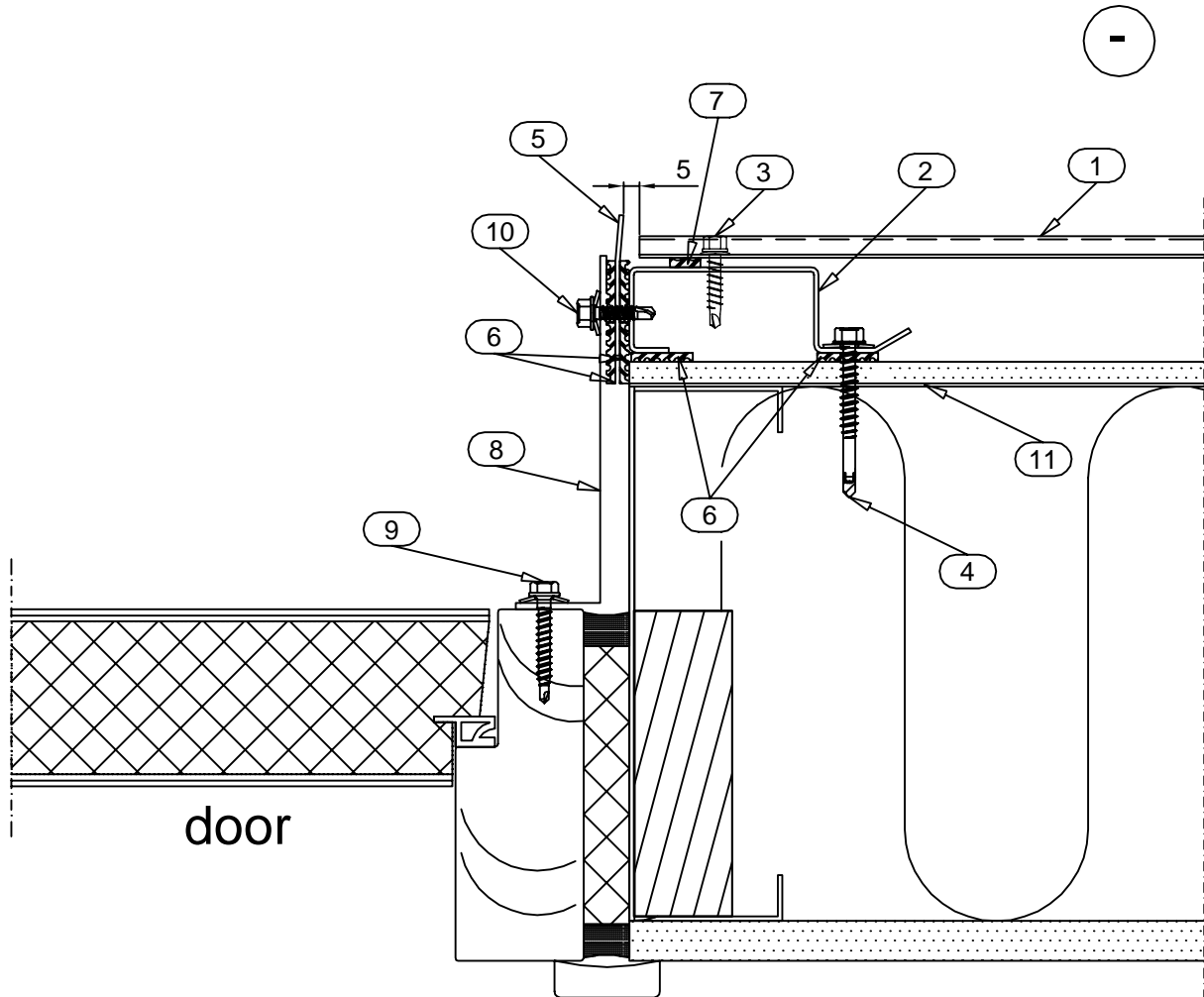
Date 12.08.2011	Rev. date	Work nr.	Drw. nr. DPCS7DE-9	Rev.
Drawn by Ruukki	Rev.			
Scale 1:2.5	Building		File nr.	



- 1. DESIGN COR-TEN S7
- 2. SUPPORT STUD CA1RS2
- 3. SCREW S3H4825D4S9.5 (Ferrometal PORAR 6K A2+RUSP 4.8X25+TIIV D=9.5MM)
- 4. SCREW S3H60050D03S6 (SFS intec SX3/20-S16-6x50)
- 5. COVER FLASHING CA1C14
- 6. SEPARATING STRIP EPDM CA3SE420
- 7. SEPARATING STRIP EPDM CA3SE410
- 8. COVER FLASHING CA1C10X (PVDF coated t=0.6)
- 9. SCREW S3H55022L02A4 (SFS intec SL2-S-A14-5.5x22)
- 10. SCREW S3H48020D03A4 (SFS intec SD3-S-A14-4.8x20)
- 11. HORIZONTAL BRACE STRIP (for fastening studs)

DELIVERY OF RUUKKI

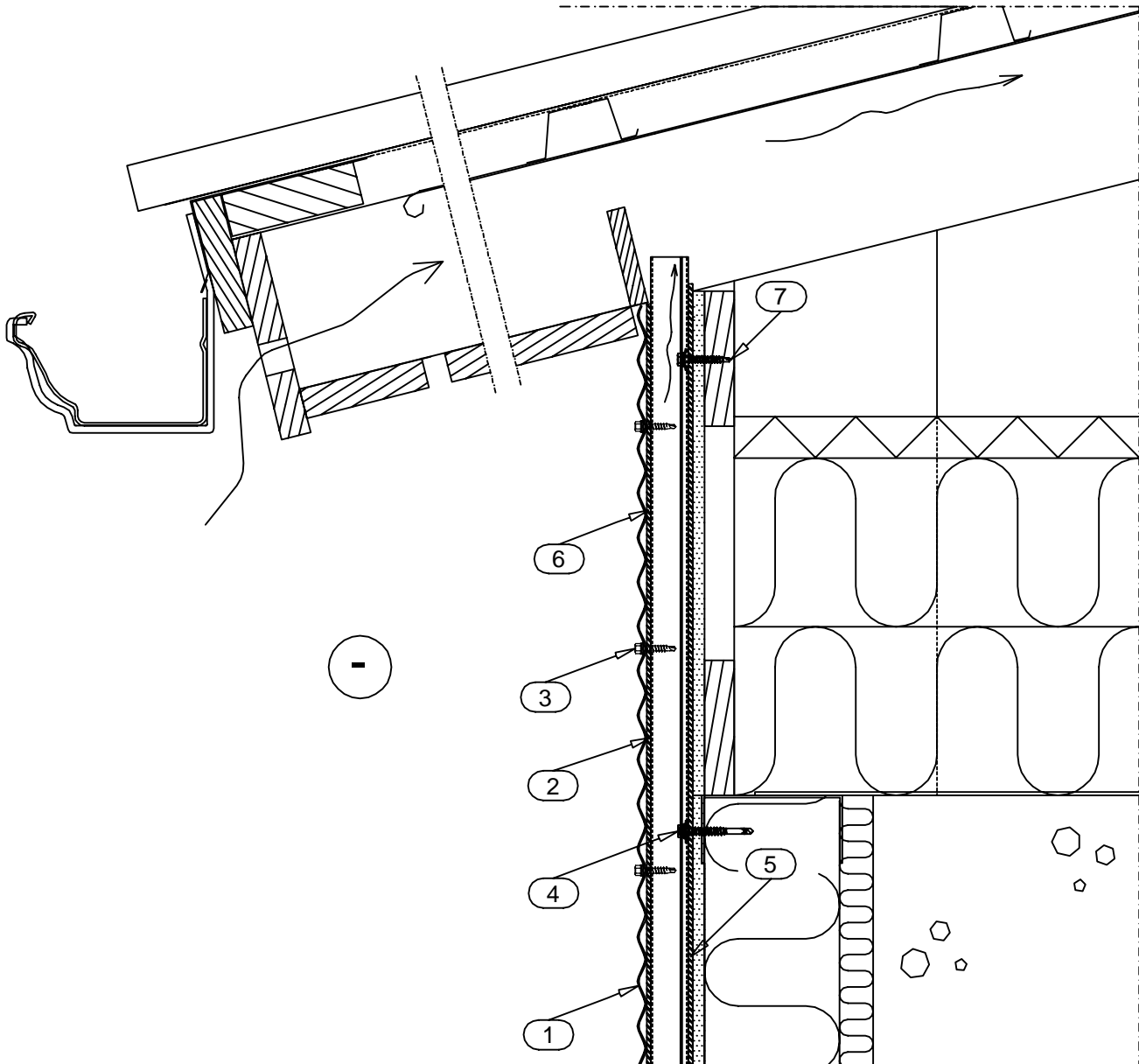
Date 12.08.2011	Rev. date	Work nr.	Drw. nr. DPCS7DE-10	Rev.
Drawn by Ruukki	Rev.			
Scale 1:2.5	Building		File nr.	



- 1. DESIGN COR-TEN S7
- 2. SUPPORT STUD CA1RS2
- 3. SCREW S3H4825D4S9.5 (Ferrometal PORAR 6K A2+RUSP 4.8X25+TIIV D=9.5MM)
- 4. SCREW S3H60050D03S6 (SFS intec SX3/20-S16-6x50)
- 5. COVER FLASHING CA1C14
- 6. SEPARATING STRIP EPDM CA3SE420
- 7. SEPARATING STRIP EPDM CA3SE410
- 8. COVER FLASHING CA1C10X (PVDF coated t=0.6)
- 9. SCREW S3H48035WA4 (SFS intec SW2-S-A14-4.8x35)
- 10. SCREW S3H48020D03A4 (SFS intec SD3-S-A14-4.8x20)
- 11. HORIZONTAL BRACE STRIP (for fastening studs)

DELIVERY OF RUUKKI

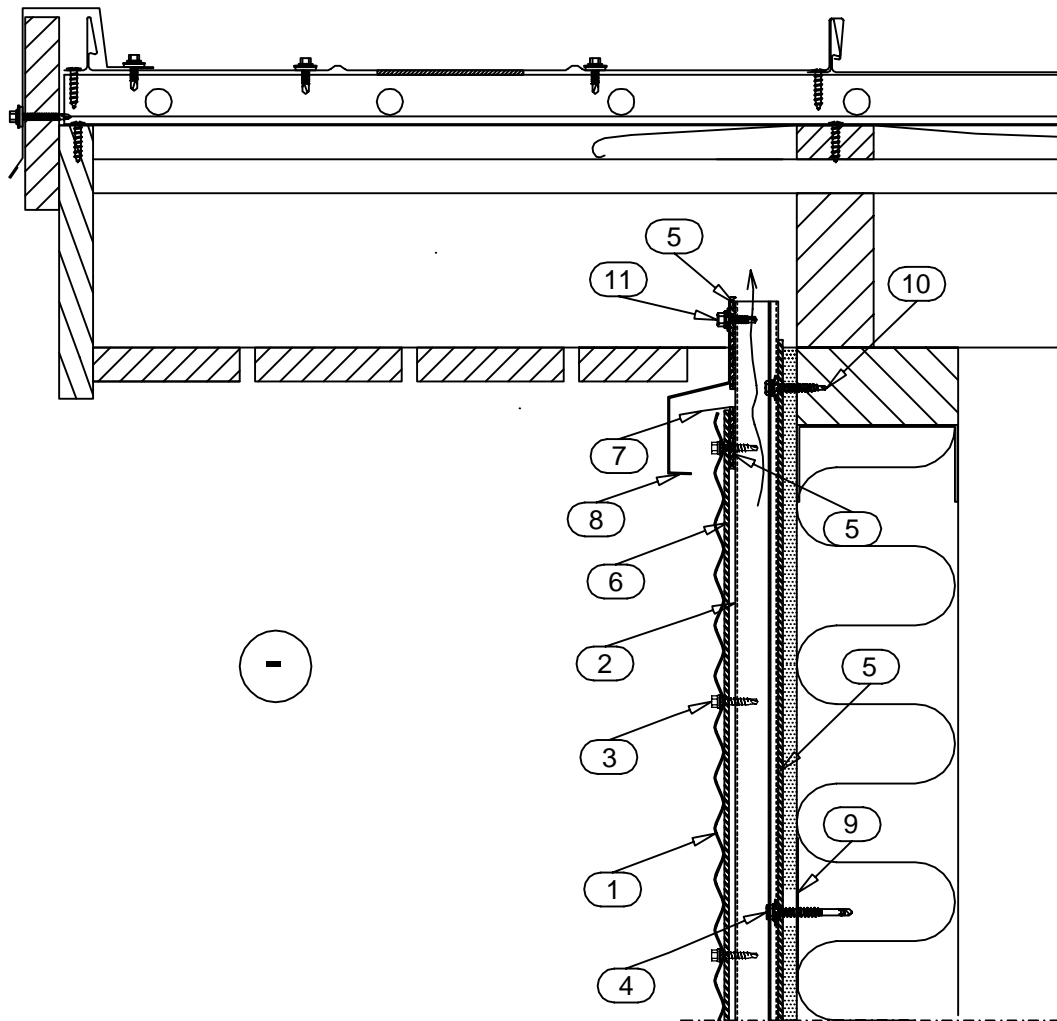
Date 12.08.2011	Rev. date	Work nr.	Drw. nr. DPCS7DE-11	Rev.
Drawn by Ruukki	Rev.			
Scale 1:5	Building		File nr.	



- 1. DESIGN COR-TEN S7
- 2. SUPPORT STUD CA1SS4
- 3. SCREW S3H4825D4S9.5 (Ferrometal PORAR 6K A2+RUSP 4.8X25+TIIV D=9.5MM)
- 4. SCREW S3H60050D03S6 (SFS intec SX3/20-S16-6x50)
- 5. SEPARATING STRIP EPDM CA3SE420
- 6. SEPARATING STRIP EPDM CA3SE410
- 7. SCREW S3H48035WA4 (SFS intec SW2-S-A14-4.8x35)

DELIVERY OF RUUKKI

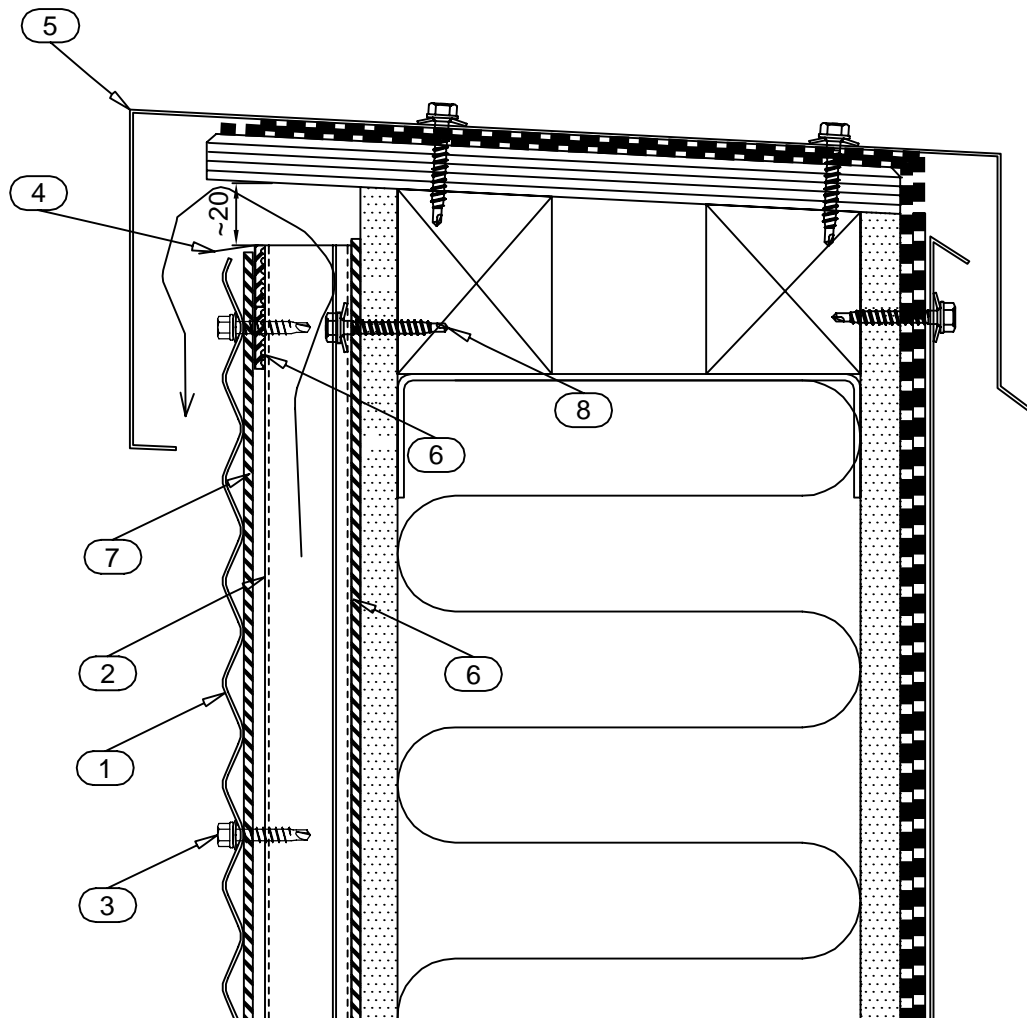
Date 12.08.2011	Rev. date	Work nr.	Drw. nr. DPCS7DE-12	Rev.
Drawn by Ruukki	Rev.			
Scale 1:5	Building		File nr.	



- 1. DESIGN COR-TEN S7
- 2. SUPPORT STUD CA1SS4
- 3. SCREW S3H4825D4S9.5 (Ferrometal PORAR 6K A2+RUSP 4.8X25+TIIV D=9.5MM)
- 4. SCREW S3H60050D03S6 (SFS intec SX3/20-S16-6x50)
- 5. SEPARATING STRIP EPDM CA3SE420
- 6. SEPARATING STRIP EPDM CA3SE410
- 7. STORM FLASHING CA1ST1X (PVDF coated t=0.6)
- 8. EAVES FLASHING CA1E4X
- 9. HORIZONTAL BRACE STRIP (for fastening studs)
- 10. SCREW S3H48035WA4 (SFS intec SW2-S-A14-4.8x35)
- 11. SCREW S3H48020D03A4 (SFS intec SD3-S-A14-4.8x20)

DELIVERY OF RUUKKI

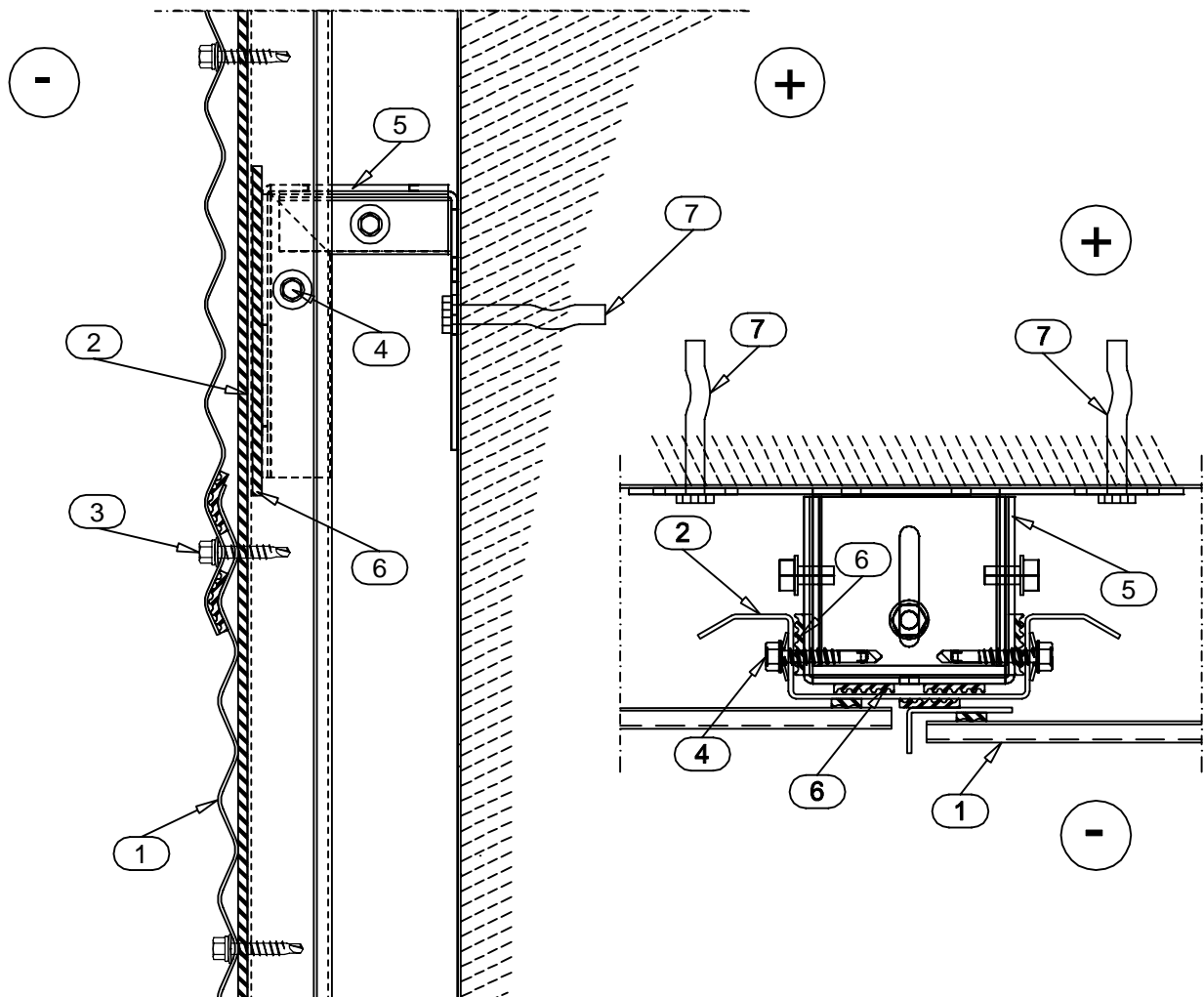
Date 12.08.2011	Rev. date	Work nr.	Rev.
Drawn by Ruukki	Rev.	DPCS7DE-13	
Scale 1:2.5	Building	File nr.	



- 1. DESIGN COR-TEN S7
- 2. SUPPORT STUD CA1SS4
- 3. SCREW S3H4825D4S9.5 (Ferrometal PORAR 6K A2+RUSP 4.8X25+TIIV D=9.5MM)
- 4. STORM FLASHING CA1ST1X (PVDF coated t=0.6)
- 5. EAVES FLASHING CA1E3X
- 6. SEPARATING STRIP EPDM CA3SE420
- 7. SEPARATING STRIP EPDM CA3SE410
- 8. SCREW S3H48035WA4 (SFS intec SW2-S-A14-4.8x35)

DELIVERY OF RUUKKI

Date 12.08.2011	Rev. date	Work nr.	Drw. nr. DPCS7DE-14	Rev.
Drawn by Ruukki	Rev.			
Scale 1:2.5	Building		File nr.	



- 1. DESIGN COR-TEN S7
- 2. SUPPORT STUD CA1SS4
- 3. SCREW S3H4825D4S9.5 (Ferrometal PORAR 6K A2+RUSP 4.8X25+TIIV D=9.5MM)
- 4. SCREW S3H55033D05S6 (SFS intec SX5/8-S16-5.5x33)
- 5. ADJUSTABLE FASTENER CAFRSP
- 6. SEPARATING STRIP EPDM CA3SE420
- 7. FASTENER

DELIVERY OF RUUKKI