
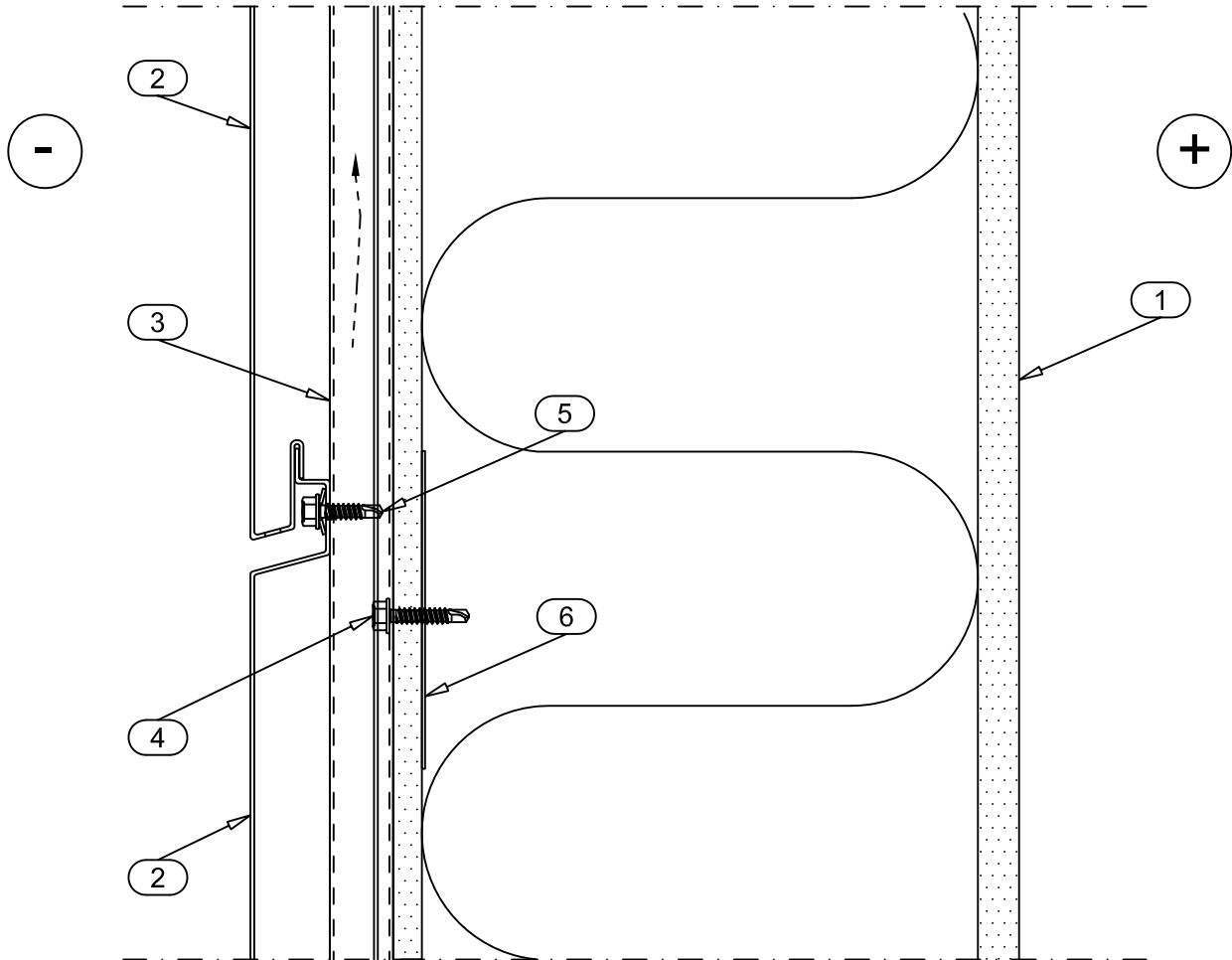


Drw. nr.	Contents of drawing	Date	Rev.	Rev. date
LRSPDE-1	Background structure type: Prefabricated external wall element	04.10.2011	.	.
LRSPDE-2	Background structure type: Sandwich panel	04.10.2011	.	.
LRSPDE-3	Background structure type: Liner tray	04.10.2011	.	.
LRSPDE-4	Background structure type: Concrete	04.10.2011	.	.
LRSPDE-5	Background structure type: Timber	04.10.2011	.	.

City sector		Block	Site/Reg. nr.	File nr.	
Building type			Drawing type		Nr.
Building, Name and address			Contents of drawing		Scale
			Liberta Rainscreen panels		
			DETAIL DRAWINGS DIFFERENT BACKGROUND STRUCTURE TYPES		
Date 04.10.2011	Designer Ruukki		Work nr.	Work nr.	Drw. nr. Rev.
Drawn by	Checked				

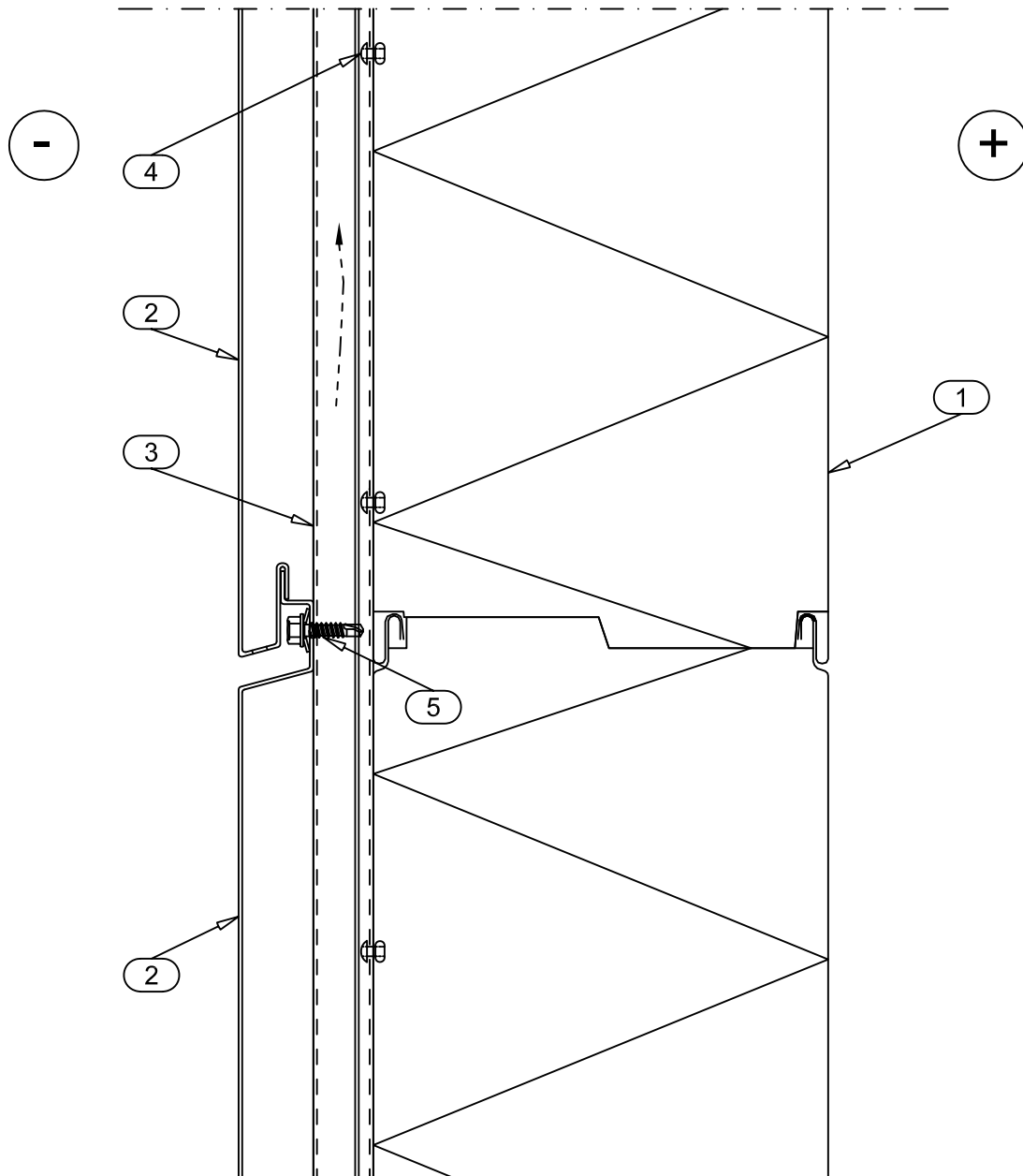
Date 04.10.2011	Rev. date	Work nr.	Drw. nr. LRSPDE-1	Rev.
Drawn by Ruukki	Rev.			
Scale 1:2.5	Building		File nr.	



1. PREFABRICATED EXTERNAL WALL ELEMENT
2. LIBERTA RAINSCREEN PANEL
3. SUPPORT STUD CA1SS1
4. SCREW S1H48025D03 (SFS intec SD3-4.8x25)
5. SCREW S3H48020D03A4 (SFS intec SD3-S-A14-4.8x20)
6. HORIZONTAL BRACE STRIP (for fastening studs)

THE FINAL EXECUTION ALWAYS
ACCORDING TO INSTRUCTION
OF THE STRUCTURAL DESIGNER

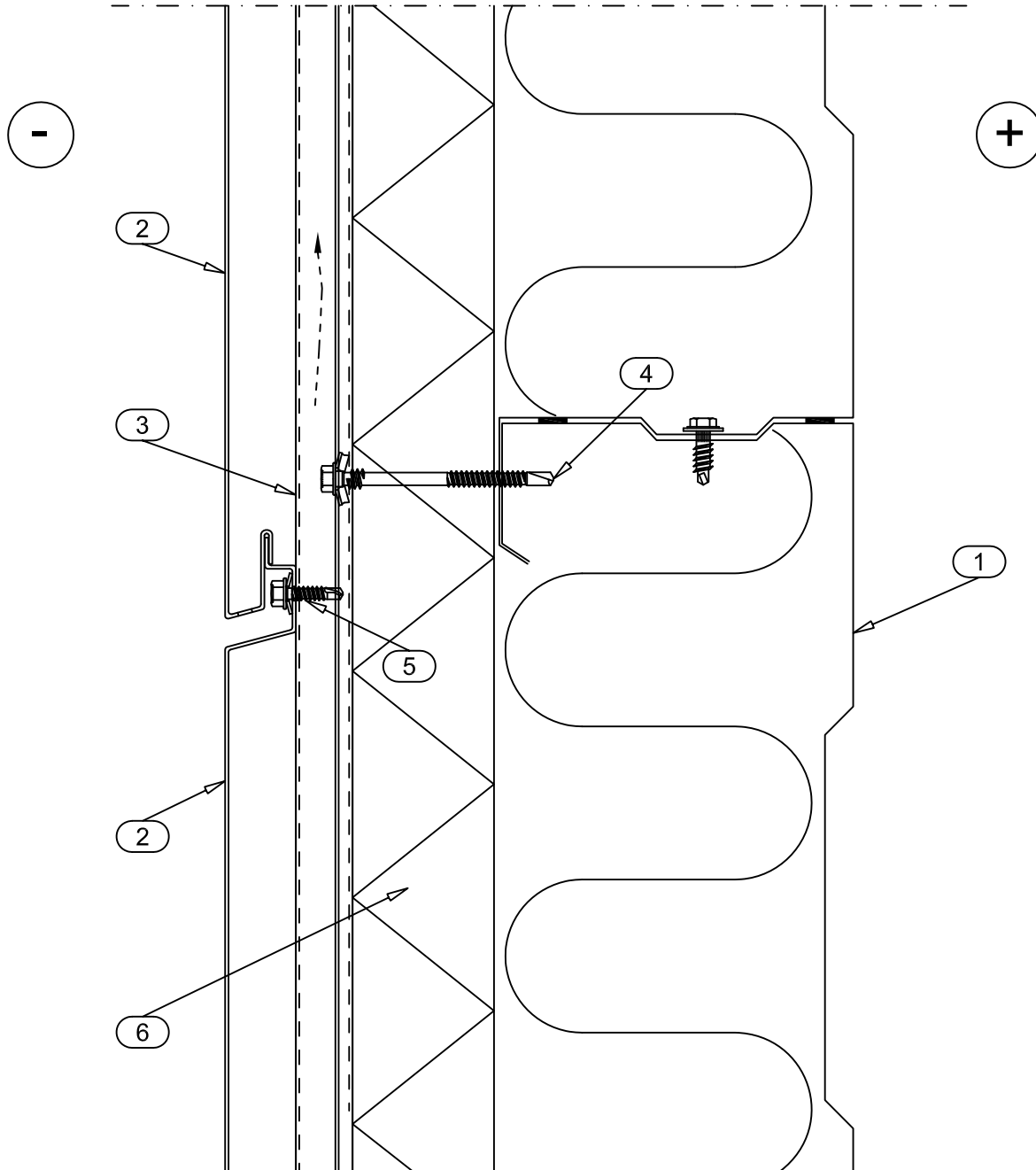
Date 04.10.2011	Rev. date	Work nr.	Drw. nr. LRSPDE-2	Rev.
Drawn by Ruukki	Rev.		File nr.	
Scale 1:2.5	Building			



1. SANDWICH PANEL
2. LIBERTA RAINSCREEN PANEL
3. SUPPORT STUD CA1SS1
4. RIVET (e.g. SFS intec ATC-D-3.2x8.0)
5. SCREW S3H48020D03A4 (SFS intec SD3-S-A14-4.8x20)

THE FINAL EXECUTION ALWAYS
ACCORDING TO INSTRUCTION
OF THE STRUCTURAL DESIGNER

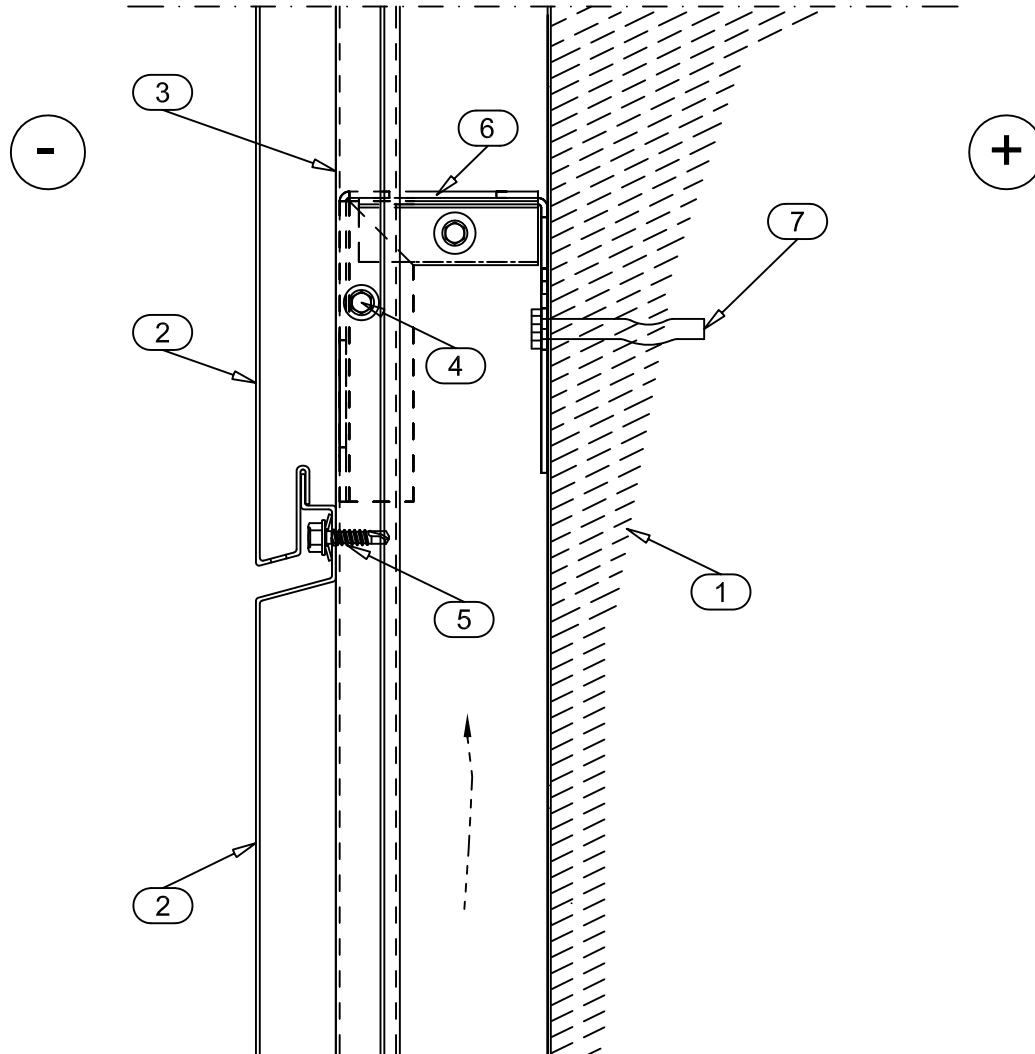
Date 04.10.2011	Rev. date	Work nr.	Drw. nr. LRSPDE-3	Rev.
Drawn by Ruukki	Rev.		File nr.	
Scale 1:2.5	Building			



1. LINER TRAY
2. LIBERTA RAINSCREEN PANEL
3. SUPPORT STUD CA1SS1
4. SCREW (e.g. SFS intec SDT5-S19-5.5x77)
5. SCREW S3H48020D03A4 (SFS intec SD3-S-A14-4.8x20)
6. HARD MINERAL WOOL (wind barrier)

THE FINAL EXECUTION ALWAYS
ACCORDING TO INSTRUCTION
OF THE STRUCTURAL DESIGNER

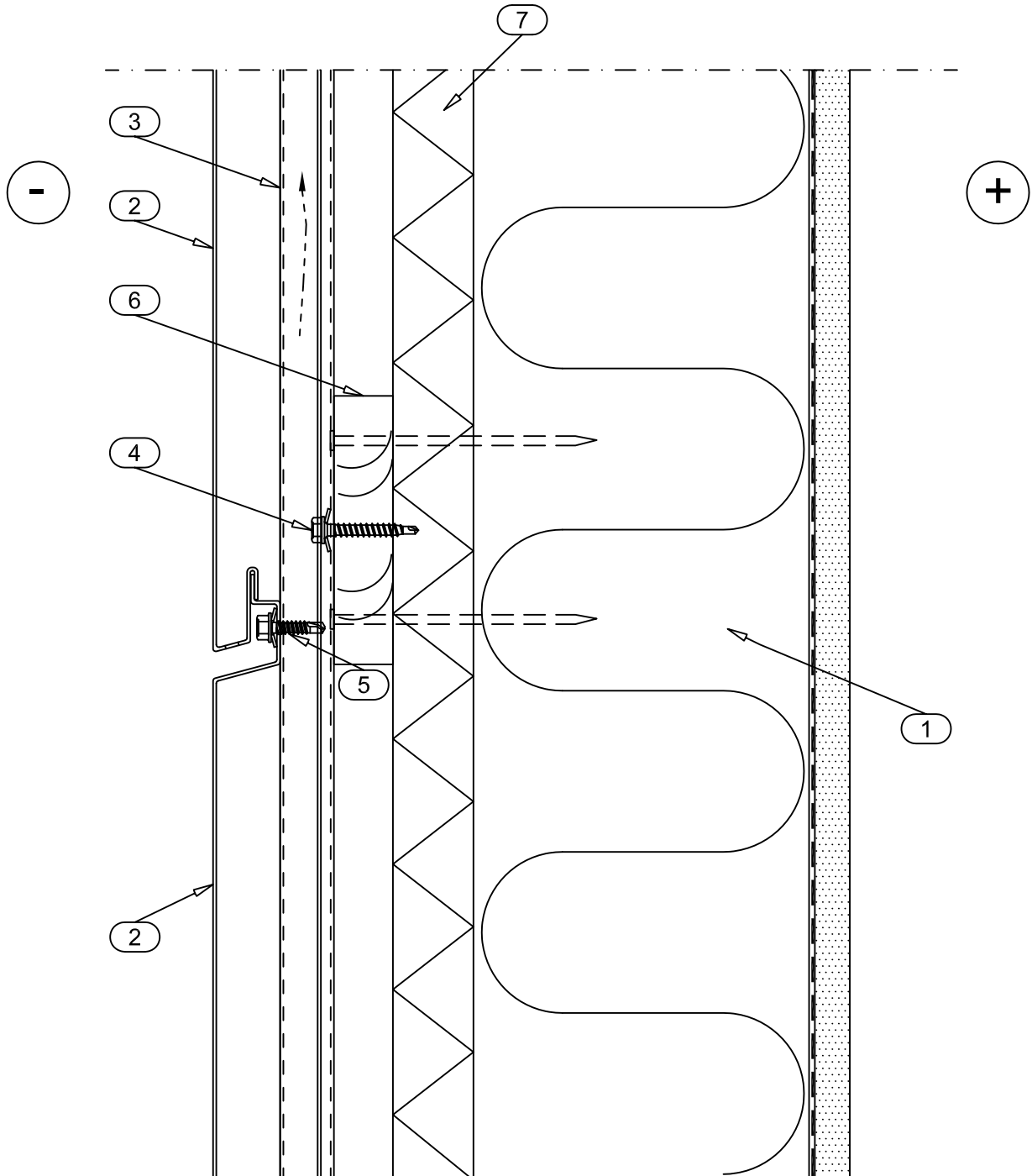
Date 04.10.2011	Rev. date	Work nr.	Drw. nr. LRSPDE-4	Rev.
Drawn by Ruukki	Rev.			
Scale 1:2.5	Building		File nr.	



1. CONCRETE
2. LIBERTA RAINSCREEN PANEL
3. SUPPORT STUD CA1SS1
4. SCREW S1H48025D03 (SFS intec SD3-4.8x25)
5. SCREW S3H48020D03A4 (SFS intec SD3-S-A14-4.8x20)
6. ADJUSTABLE FASTENER CAFRSP
7. SPIKE (e.g. SFS intec DT-6.3x51)

THE FINAL EXECUTION ALWAYS
ACCORDING TO INSTRUCTION
OF THE STRUCTURAL DESIGNER

Date 04.10.2011	Rev. date	Work nr.	Drw. nr. LRSPDE-5	Rev.
Drawn by Ruukki	Rev.			
Scale 1:2.5	Building		File nr.	



- 1. TIMBER STUDS
- 2. LIBERTA RAINSCREEN PANEL
- 3. SUPPORT STUD CA1SS1
- 4. SCREW (e.g. SFS intec SW-T-A14-4.8x35)
- 5. SCREW S3H48020D03A4 (SFS intec SD3-S-A14-4.8x20)
- 6. WOODEN BATTEN
- 7. HARD MINERAL WOOL (wind barrier)

THE FINAL EXECUTION ALWAYS
ACCORDING TO INSTRUCTION
OF THE STRUCTURAL DESIGNER