
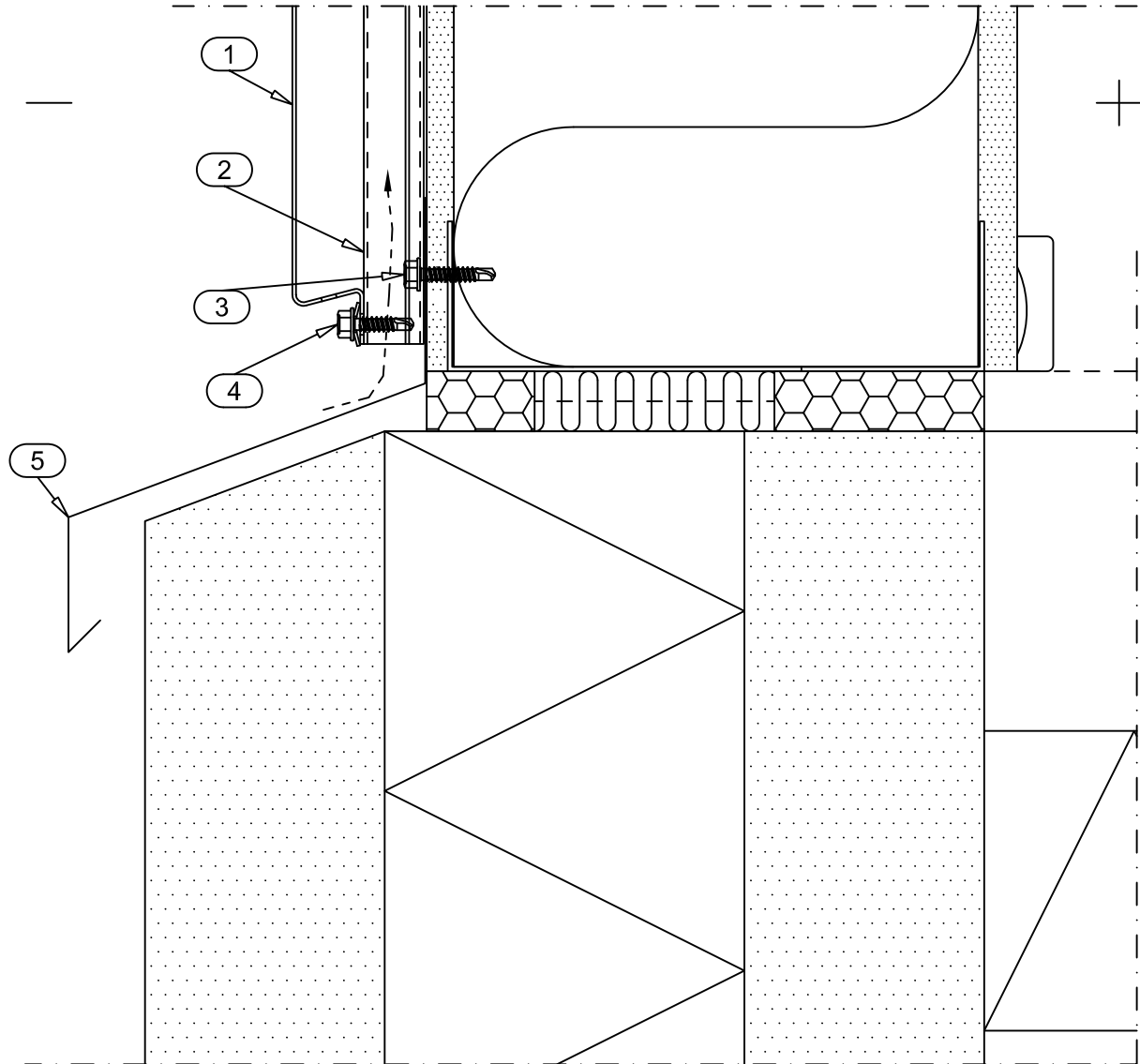


| Drw. nr. | Contents of drawing | Date | Rev. | Rev. date |
|--------------|--|------------|------|-----------|
| LRSP102DE-1 | Plinth, vertical section | 12.08.2011 | . | . |
| LRSP102DE-2 | Horizontal joint, vertical section | 12.08.2011 | . | . |
| LRSP102DE-3 | Vertical joint, horizontal section | 12.08.2011 | . | . |
| LRSP102DE-4 | External corner, horizontal section | 12.08.2011 | . | . |
| LRSP102DE-5 | External corner, horizontal section | 12.08.2011 | . | . |
| LRSP102DE-6 | Internal corner, horizontal section | 12.08.2011 | . | . |
| LRSP102DE-7 | Internal corner, horizontal section | 12.08.2011 | . | . |
| LRSP102DE-8 | Lower edge of window, vertical section | 12.08.2011 | . | . |
| LRSP102DE-9 | Upper edge of window, vertical section | 12.08.2011 | . | . |
| LRSP102DE-10 | Upper edge of window, vertical section | 12.08.2011 | . | . |
| LRSP102DE-11 | Upper edge of door, vertical section | 12.08.2011 | . | . |
| LRSP102DE-12 | Upper edge of door, vertical section | 12.08.2011 | . | . |
| LRSP102DE-13 | Vertical edge of window, horizontal section | 12.08.2011 | . | . |
| LRSP102DE-14 | Vertical edge of window, horizontal section | 12.08.2011 | . | . |
| LRSP102DE-15 | Vertical edge of door, horizontal section | 12.08.2011 | . | . |
| LRSP102DE-16 | Vertical edge of door, horizontal section | 12.08.2011 | . | . |
| LRSP102DE-17 | Side eaves, vertical section | 12.08.2011 | . | . |
| LRSP102DE-18 | Gable eaves, vertical section | 12.08.2011 | . | . |
| LRSP102DE-19 | Short eaves, vertical section | 12.08.2011 | . | . |
| LRSP102DE-20 | Horizontal and vertical joint, support studs fastened by adjustable fastener | 12.08.2011 | . | . |
| | | | | |

| | | | | | |
|--|--------------------|-------|----------------------------------|----------|----------|
| City sector | | Block | Site/Reg. nr. | File nr. | |
| Building type | | | Drawing type | | Nr. |
| Building, Name and address | | | Contents of drawing | | Scale |
|  | | | Liberta original 102 & 102Grande | | |
| | | | BASE DETAIL DRAWINGS | | |
| Date 12.08.2011 | Designer Ruukki | | Work nr. | Work nr. | Drw. nr. |
| Drawn by | Checked | | | | Rev. |

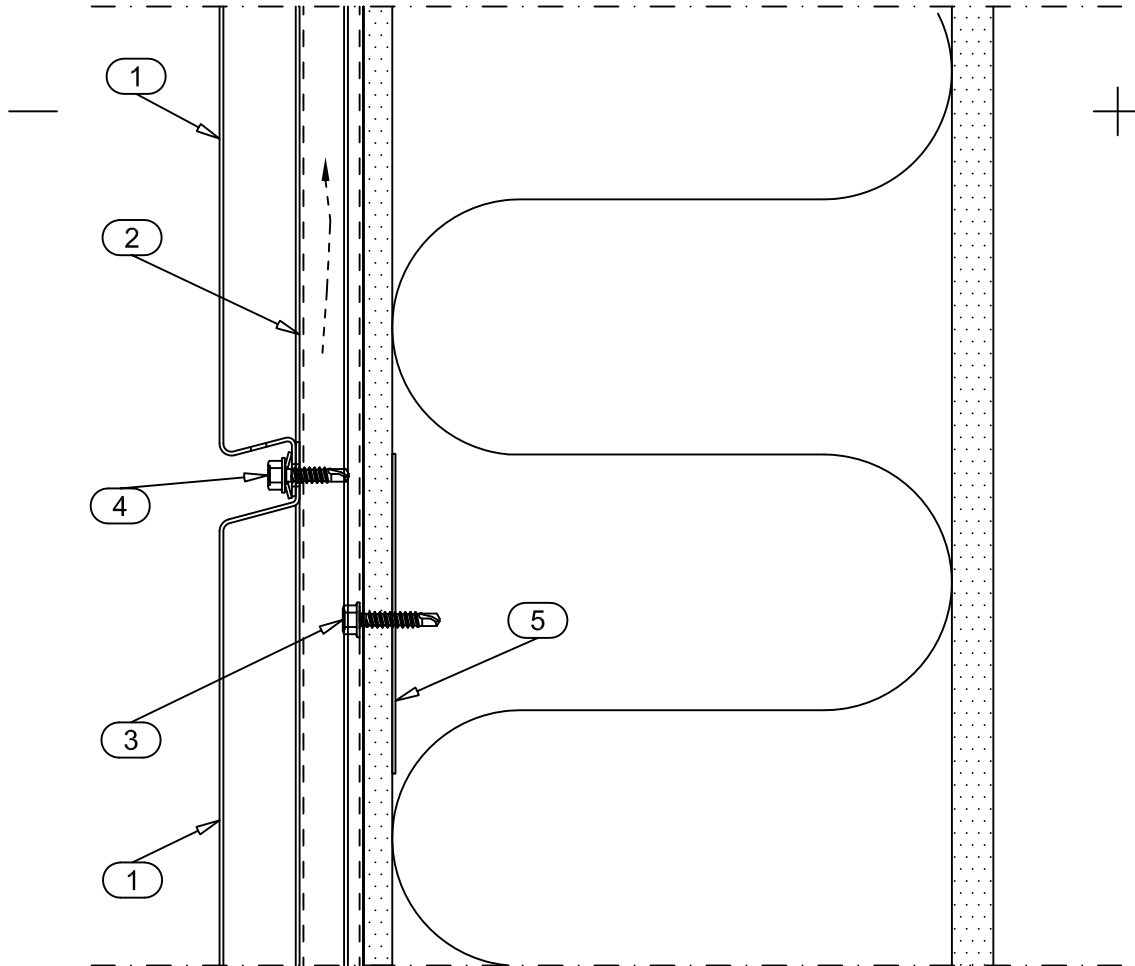
| | | | | |
|--------------------|-----------|----------|-------------------------|------|
| Date 12.08.2011 | Rev. date | Work nr. | Drw. nr. LRSP102DE-1 | Rev. |
| Drawn by Ruukki | Rev. | | | |
| Scale 1:2.5 | Building | File nr. | | |



- 1. LIBERTA ORIGINAL 102 & 102GRANDE
- 2. SUPPORT STUD CA1SS1
- 3. SCREW S1H48025D03 (SFS intec SD3-4.8x25)
- 4. SCREW S3H48020D03A4 (SFS intec SD3-S-A14-4.8x20)
- 5. PLINTH FLASHING CA1P1X

DELIVERY OF RUUKKI

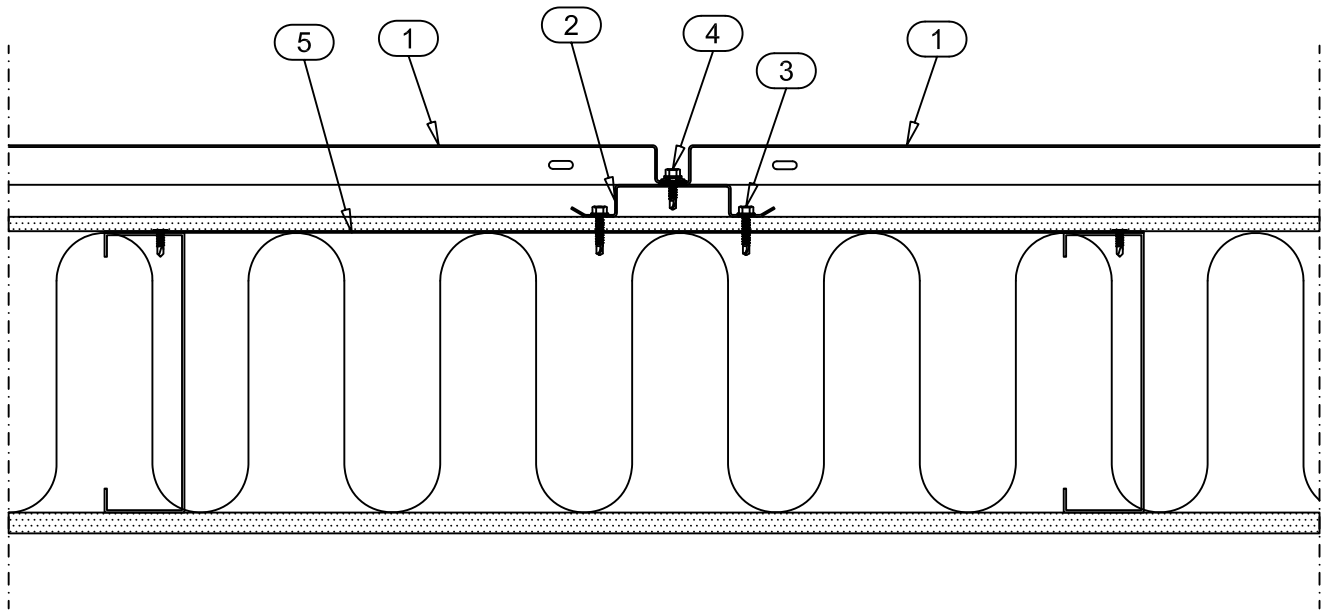
| | | | | |
|--------------------|-----------|----------|-------------------------|------|
| Date 12.08.2011 | Rev. date | Work nr. | Drw. nr. LRSP102DE-2 | Rev. |
| Drawn by Ruukki | Rev. | | File nr. | |
| Scale 1:2.5 | Building | | | |



- 1. LIBERTA ORIGINAL 102 & 102GRANDE
- 2. SUPPORT STUD CA1SS1
- 3. SCREW S1H48025D03 (SFS intec SD3-4.8x25)
- 4. SCREW S3H48020D03A4 (SFS intec SD3-S-A14-4.8x20)
- 5. HORIZONTAL BRACE STRIP (for fastening studs)

- DELIVERY OF RUUKKI

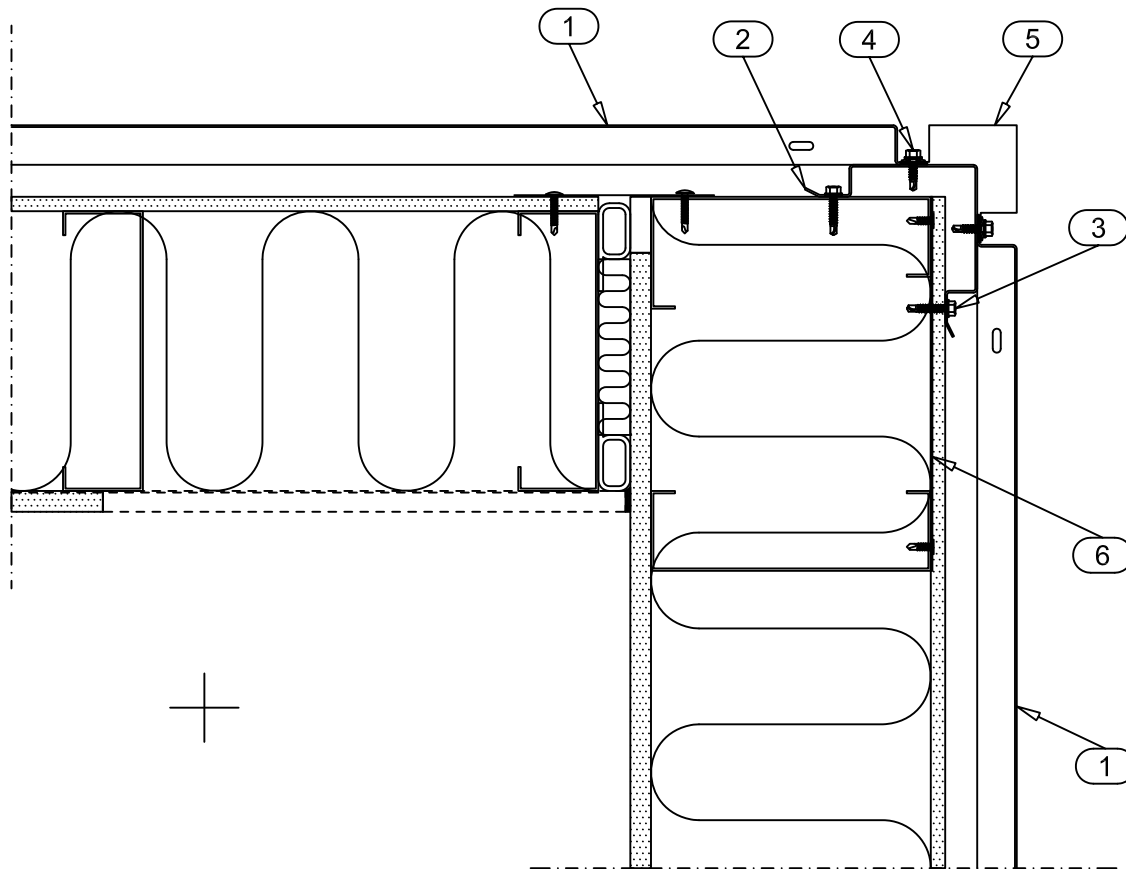
| | | | | |
|--------------------|-----------|----------|-------------------------|------|
| Date 12.08.2011 | Rev. date | Work nr. | Drw. nr. LRSP102DE-3 | Rev. |
| Drawn by Ruukki | Rev. | | | |
| Scale 1:5 | Building | | File nr. | |



- 1. LIBERTA ORIGINAL 102 & 102GRANDE
- 2. SUPPORT STUD CA1SS1
- 3. SCREW S1H48025D03 (SFS intec SD3-4.8x25)
- 4. SCREW S3H48020D03A4 (SFS intec SD3-S-A14-4.8x20)
- 5. HORIZONTAL BRACE STRIP (for fastening studs)

DELIVERY OF RUUKKI

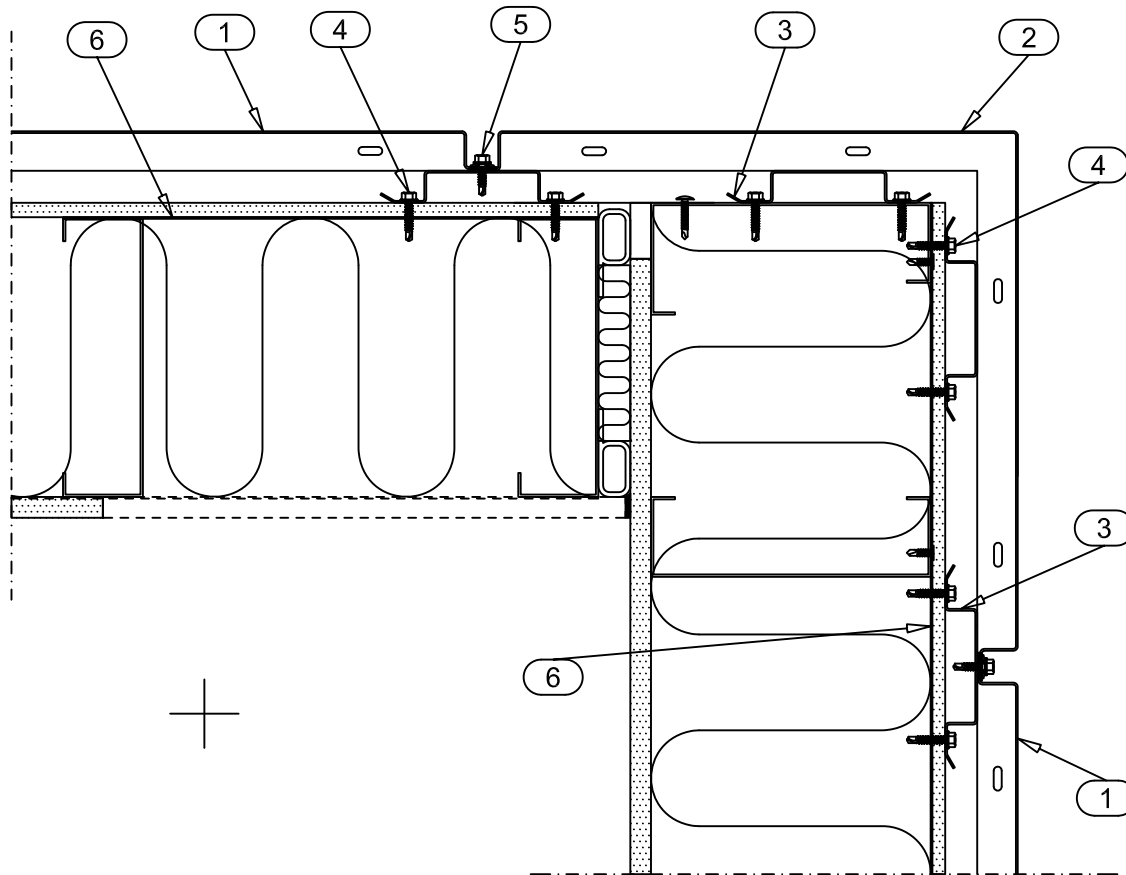
| | | | | |
|--------------------|-----------|----------|-------------------------|------|
| Date 12.08.2011 | Rev. date | Work nr. | Drw. nr. LRSP102DE-4 | Rev. |
| Drawn by Ruukki | Rev. | | | |
| Scale 1:5 | Building | | File nr. | |



- 1. LIBERTA ORIGINAL 102 & 102GRANDE
- 2. SUPPORT STUD CORNER CA1SSC1
- 3. SCREW S1H48025D03 (SFS intec SD3-4.8x25)
- 4. SCREW S3H48020D03A4 (SFS intec SD3-S-A14-4.8x20)
- 5. EXTERNAL CORNER FLASHING CA1EC1X
- 6. HORIZONTAL BRACE STRIP (for fastening studs)

DELIVERY OF RUUKKI

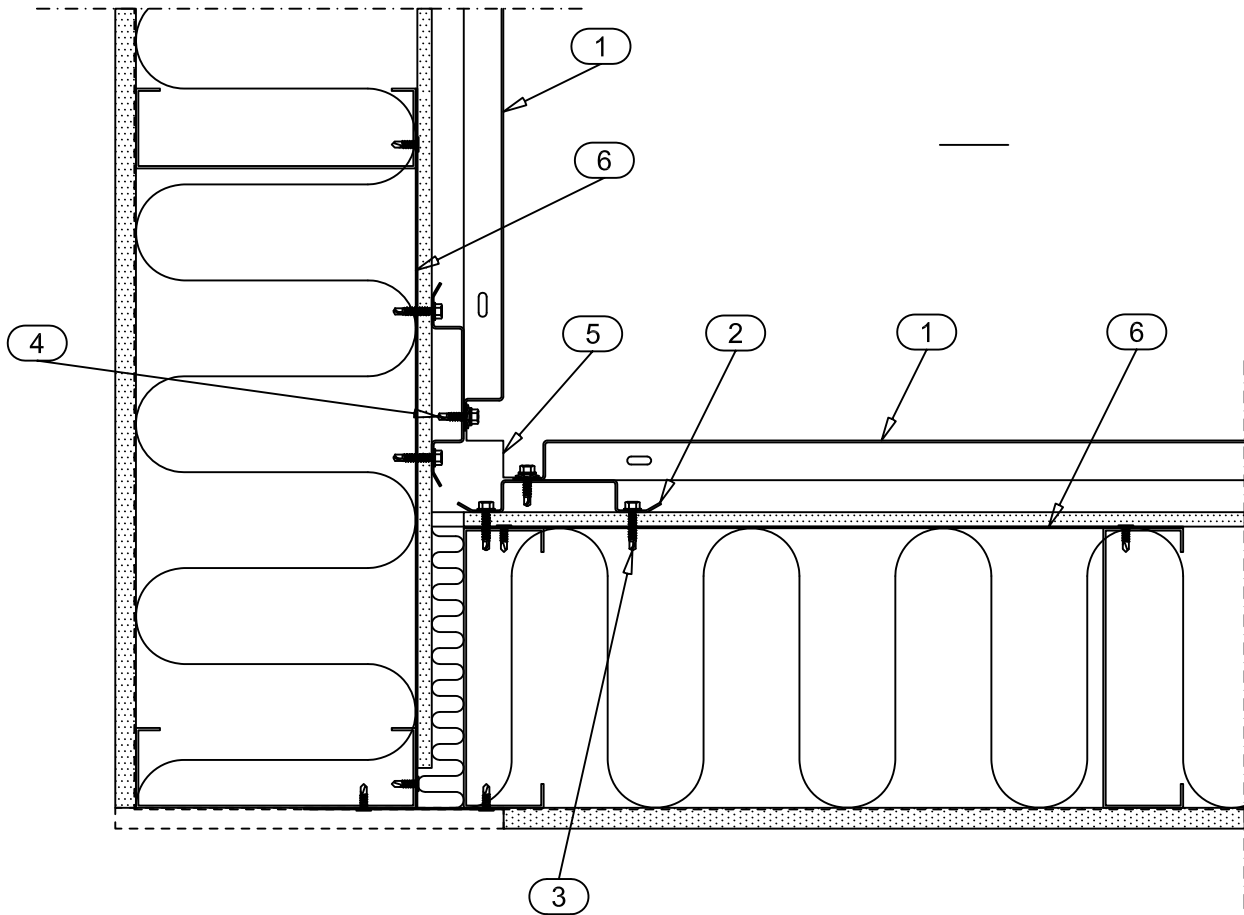
| | | | | |
|--------------------|-----------|----------|-------------------------|------|
| Date 12.08.2011 | Rev. date | Work nr. | Drw. nr. LRSP102DE-5 | Rev. |
| Drawn by Ruukki | Rev. | | | |
| Scale 1:5 | Building | | File nr. | |



- 1. LIBERTA ORIGINAL 102 & 102GRANDE
- 2. LIBERTA ORIGINAL 102 & 102GRANDE, CORNER PANEL
- 3. SUPPORT STUD CA1SS1
- 4. SCREW S1H48025D03 (SFS intec SD3-4.8x25)
- 5. SCREW S3H48020D03A4 (SFS intec SD3-S-A14-4.8x20)
- 6. HORIZONTAL BRACE STRIP (for fastening studs)

DELIVERY OF RUUKKI

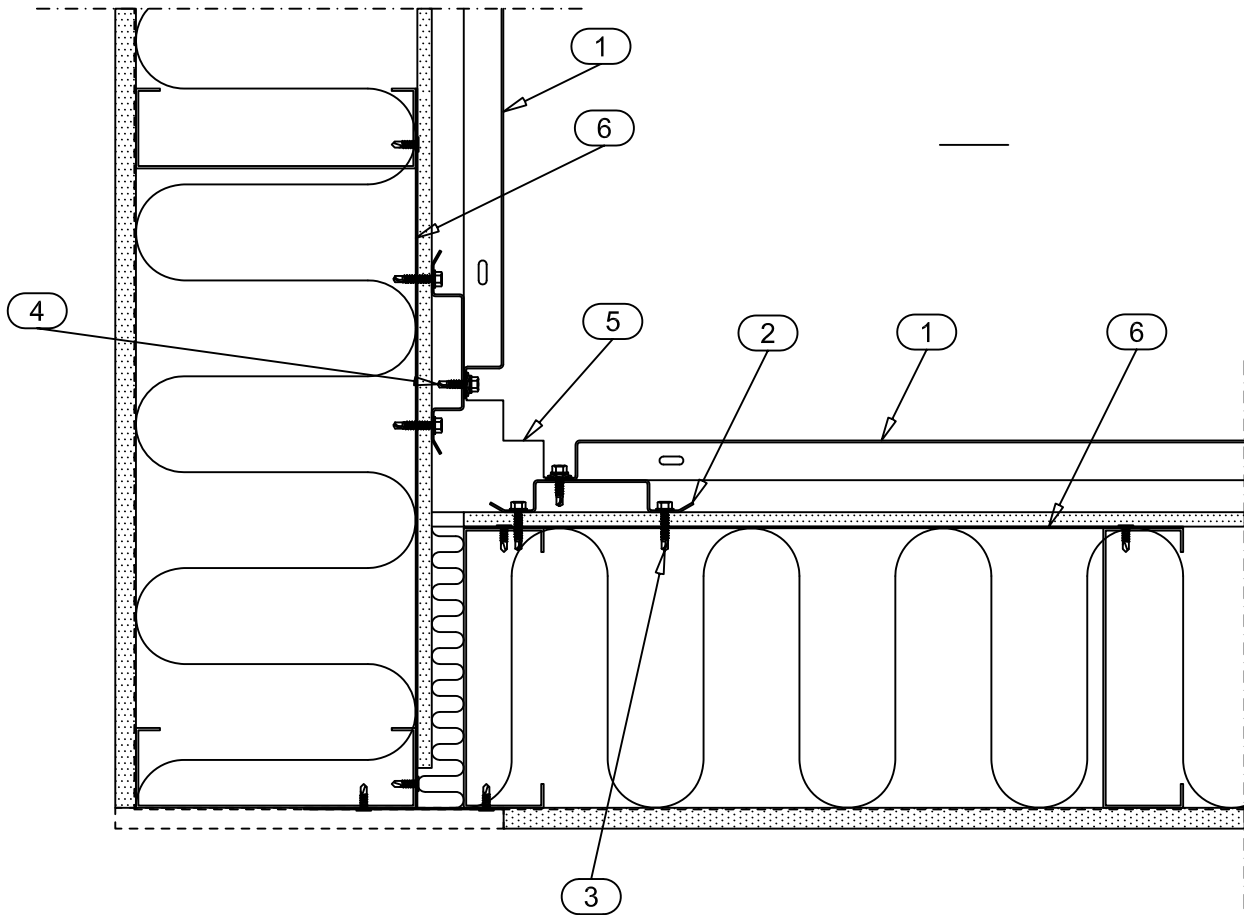
| | | | | |
|--------------------|-----------|----------|-------------------------|------|
| Date 12.08.2011 | Rev. date | Work nr. | Drw. nr. LRSP102DE-6 | Rev. |
| Drawn by Ruukki | Rev. | | | |
| Scale 1:5 | Building | | File nr. | |



- 1. LIBERTA ORIGINAL 102 & 102GRANDE
- 2. SUPPORT STUD CA1SS1
- 3. SCREW S1H48025D03 (SFS intec SD3-4.8x25)
- 4. SCREW S3H48020D03A4 (SFS intec SD3-S-A14-4.8x20)
- 5. INTERNAL CORNER FLASHING CA1IC1X
- 6. HORIZONTAL BRACE STRIP (for fastening studs)

DELIVERY OF RUUKKI

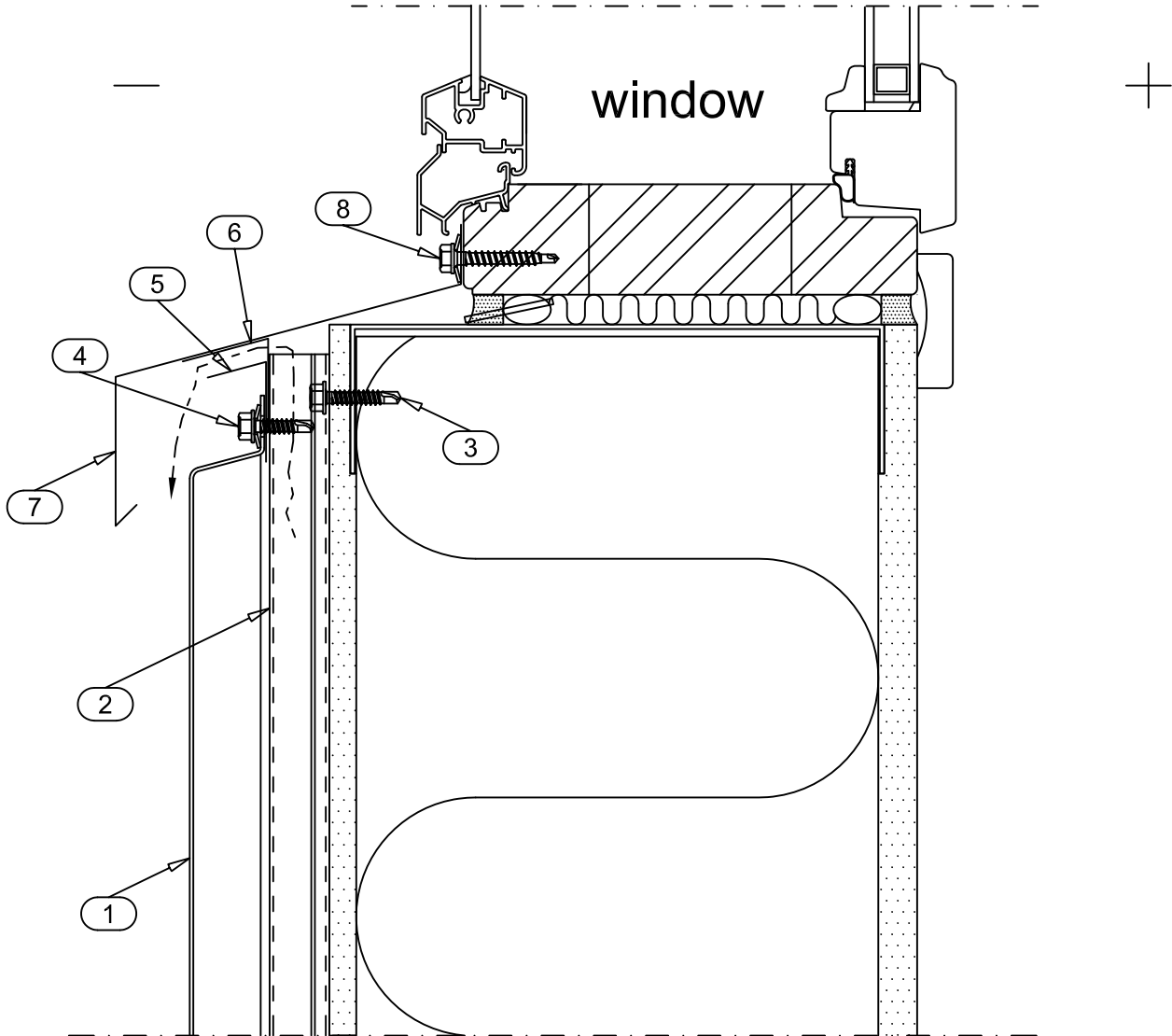
| | | | | |
|--------------------|-----------|----------|-------------------------|------|
| Date 12.08.2011 | Rev. date | Work nr. | Drw. nr. LRSP102DE-7 | Rev. |
| Drawn by Ruukki | Rev. | | | |
| Scale 1:5 | Building | | File nr. | |



- 1. LIBERTA ORIGINAL 102 & 102GRANDE
- 2. SUPPORT STUD CA1SS1
- 3. SCREW S1H48025D03 (SFS intec SD3-4.8x25)
- 4. SCREW S3H48020D03A4 (SFS intec SD3-S-A14-4.8x20)
- 5. INTERNAL CORNER FLASHING CA1IC2X
- 6. HORIZONTAL BRACE STRIP (for fastening studs)

DELIVERY OF RUUKKI

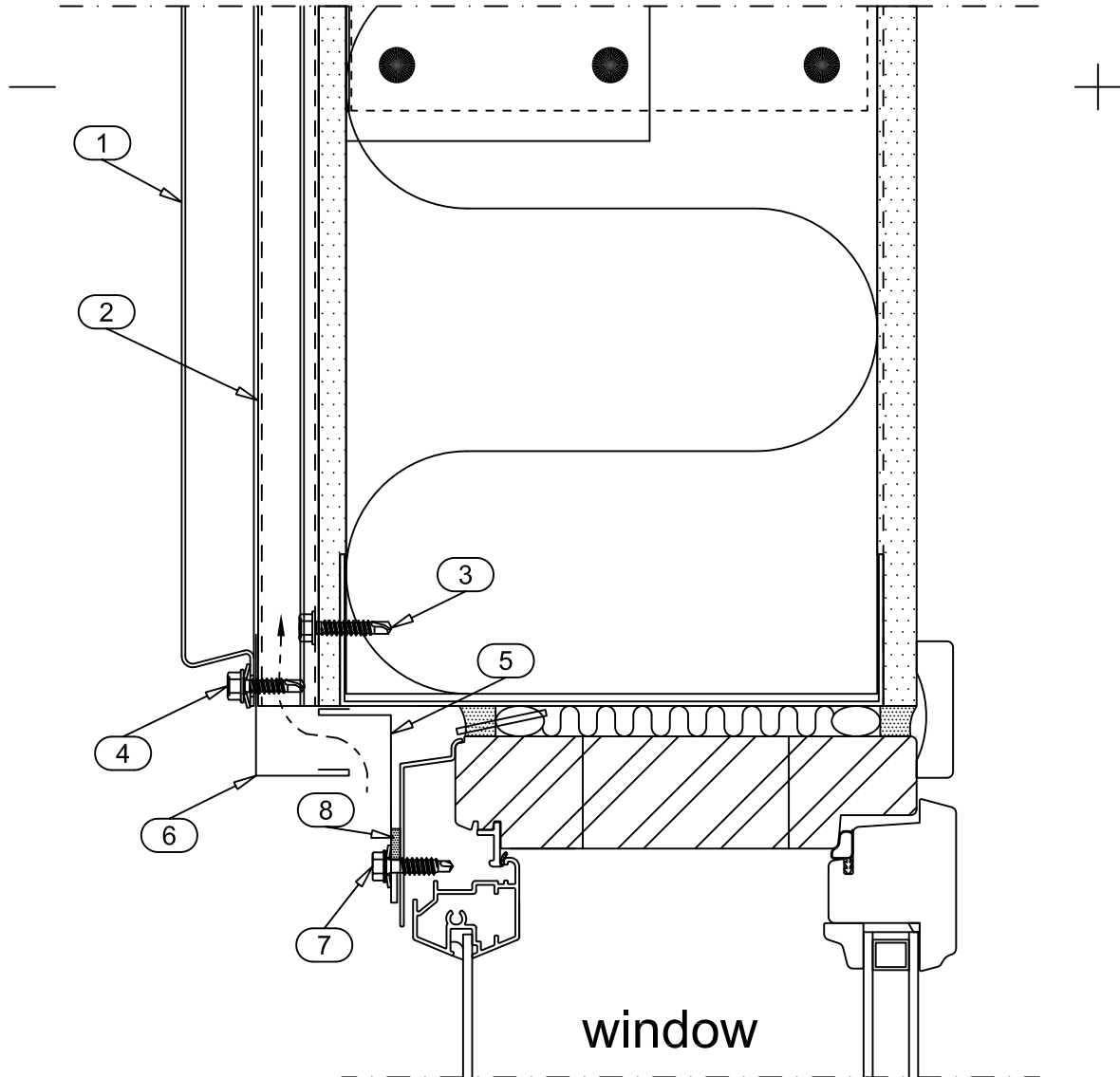
| | | | | |
|--------------------|-----------|----------|-------------------------|------|
| Date 12.08.2011 | Rev. date | Work nr. | Drw. nr. LRSP102DE-8 | Rev. |
| Drawn by Ruukki | Rev. | | | |
| Scale 1:2.5 | Building | | File nr. | |



- 1. LIBERTA ORIGINAL 102 & 102GRANDE
- 2. SUPPORT STUD CA1SS1
- 3. SCREW S1H48025D03 (SFS intec SD3-4.8x25)
- 4. SCREW S3H48020D03A4 (SFS intec SD3-S-A14-4.8x20)
- 5. STORM FLASHING CA1ST1X
- 6. SUPPORT FLASHING CA1SU1X
- 7. SILL FLASHING CA1S1X
- 8. SCREW S3H48035WA4 (SFS intec SW2-S-A14-4.8x35)

DELIVERY OF RUUKKI

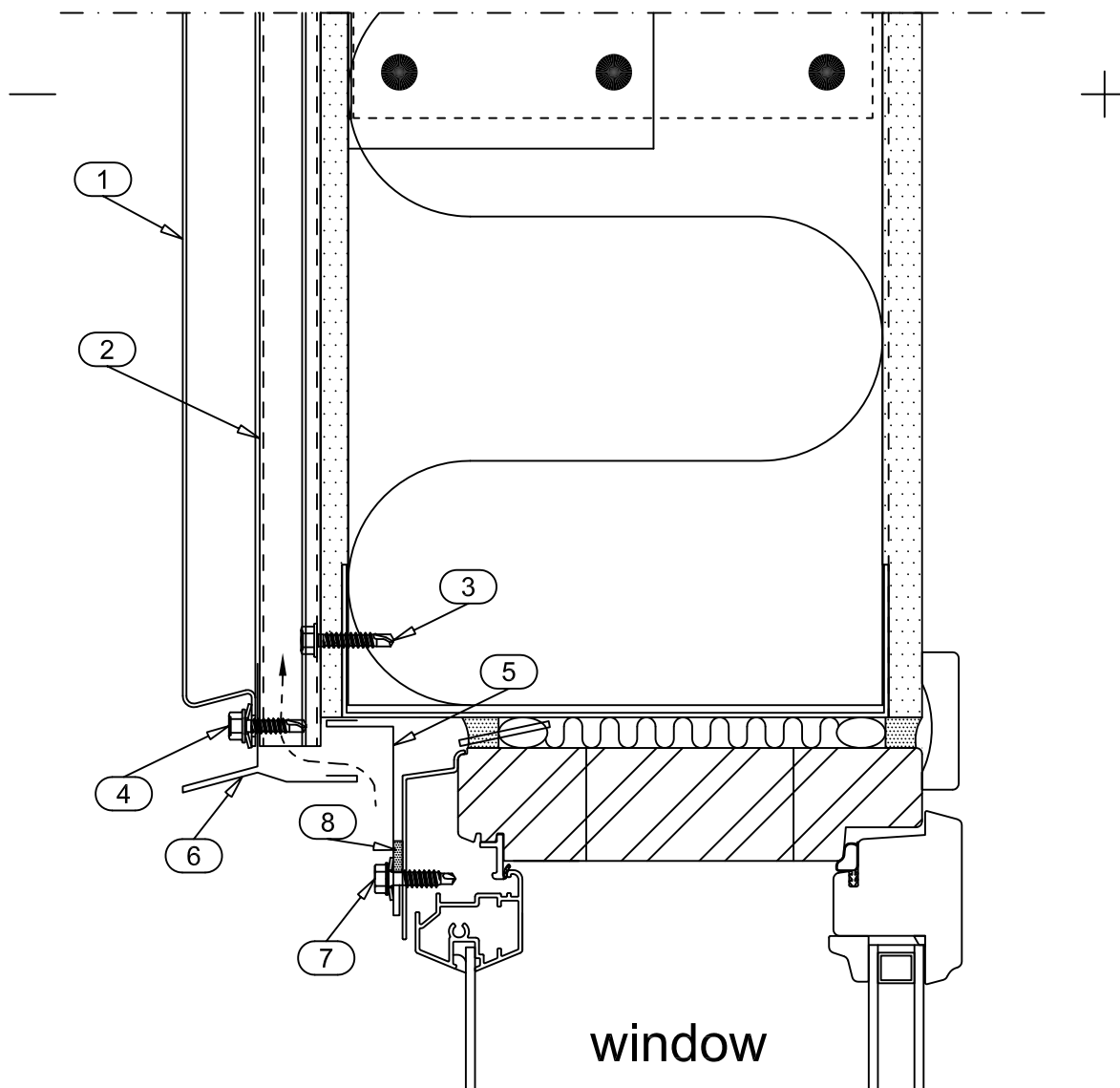
| | | | | |
|--------------------|-----------|----------|-------------------------|------|
| Date 12.08.2011 | Rev. date | Work nr. | Drw. nr. LRSP102DE-9 | Rev. |
| Drawn by Ruukki | Rev. | | | |
| Scale 1:2.5 | Building | File nr. | | |



- 1. LIBERTA ORIGINAL 102 & 102GRANDE
- 2. SUPPORT STUD CA1SS1
- 3. SCREW S1H48025D03 (SFS intec SD3-4.8x25)
- 4. SCREW S3H48020D03A4 (SFS intec SD3-S-A14-4.8x20)
- 5. COVER FLASHING CA1C10X
- 6. COVER FLASHING CA1C8X
- 7. SCREW S3H55022L02A4 (SFS intec SL2-S-A14-5.5x22)
- 8. SEALING STRIP EA3SS410

DELIVERY OF RUUKKI

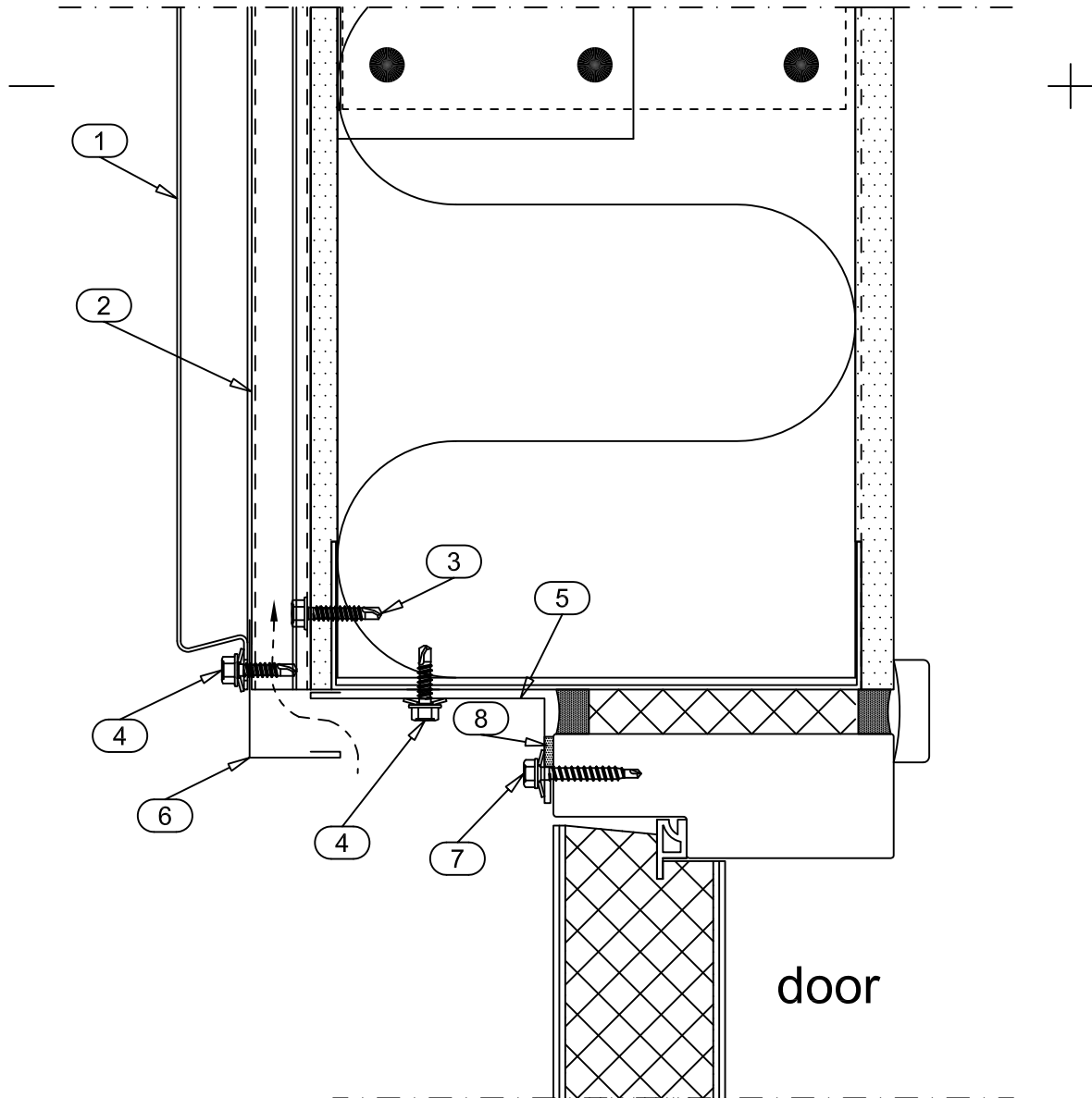
| | | | | |
|--------------------|-----------|----------|--------------------------|------|
| Date 12.08.2011 | Rev. date | Work nr. | Drw. nr. LRSP102DE-10 | Rev. |
| Drawn by Ruukki | Rev. | | | |
| Scale 1:2.5 | Building | | File nr. | |



- 1. LIBERTA ORIGINAL 102 & 102GRANDE
- 2. SUPPORT STUD CA1SS1
- 3. SCREW S1H48025D03 (SFS intec SD3-4.8x25)
- 4. SCREW S3H48020D03A4 (SFS intec SD3-S-A14-4.8x20)
- 5. COVER FLASHING CA1C10X
- 6. COVER FLASHING CA1C9X
- 7. SCREW S3H55022L02A4 (SFS intec SL2-S-A14-5.5x22)
- 8. SEALING STRIP EA3SS410

DELIVERY OF RUUKKI

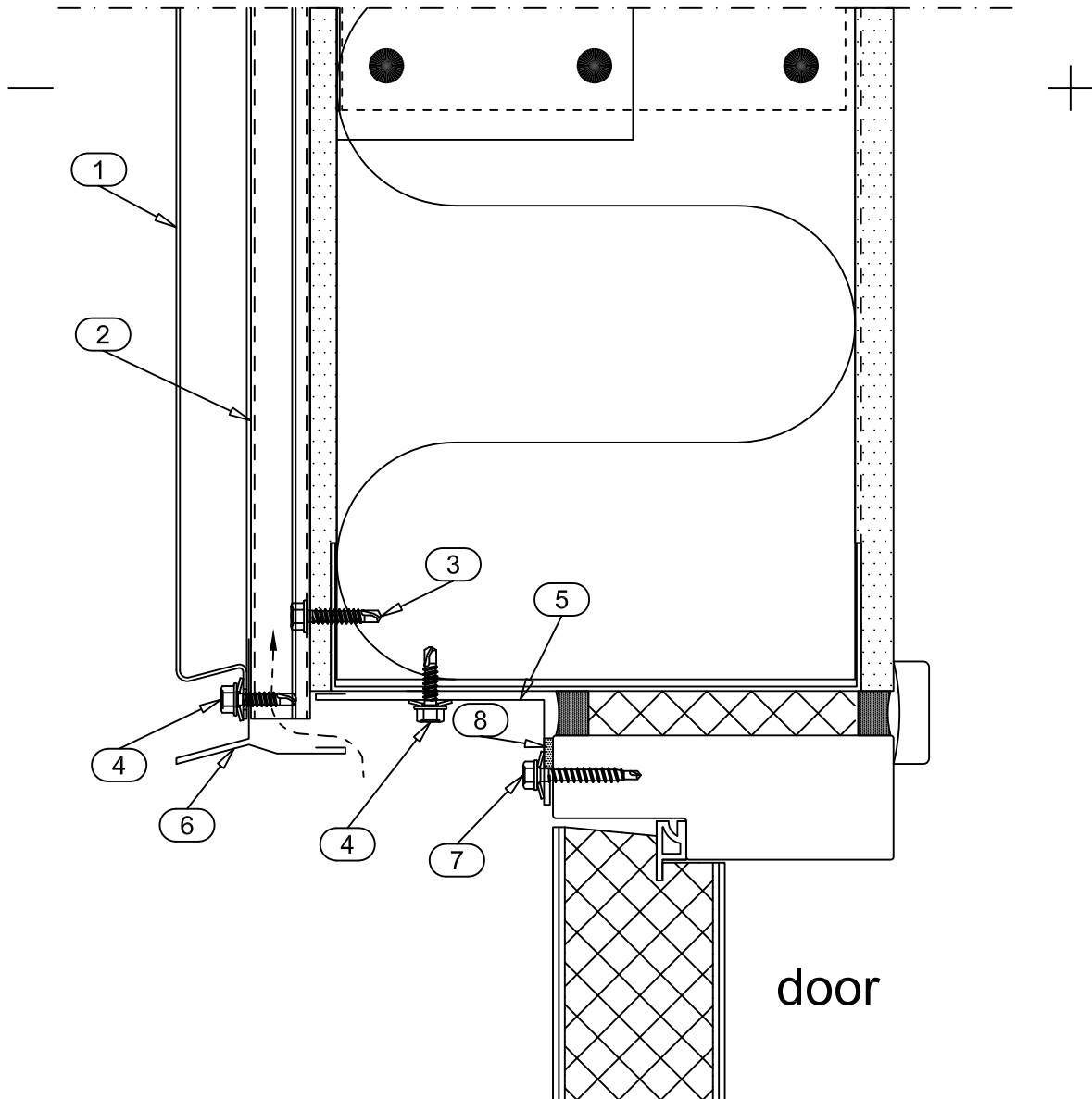
| | | | | |
|--------------------|-----------|----------|--------------------------|------|
| Date 12.08.2011 | Rev. date | Work nr. | Drw. nr. LRSP102DE-11 | Rev. |
| Drawn by Ruukki | Rev. | | | |
| Scale 1:2.5 | Building | | File nr. | |



- 1. LIBERTA ORIGINAL 102 & 102GRANDE
- 2. SUPPORT STUD CA1SS1
- 3. SCREW S1H48025D03 (SFS intec SD3-4.8x25)
- 4. SCREW S3H48020D03A4 (SFS intec SD3-S-A14-4.8x20)
- 5. COVER FLASHING CA1C10X
- 6. COVER FLASHING CA1C8X
- 7. SCREW S3H48035WA4 (SFS intec SW2-S-A14-4.8x35)
- 8. SEALING STRIP EA3SS410

DELIVERY OF RUUKKI

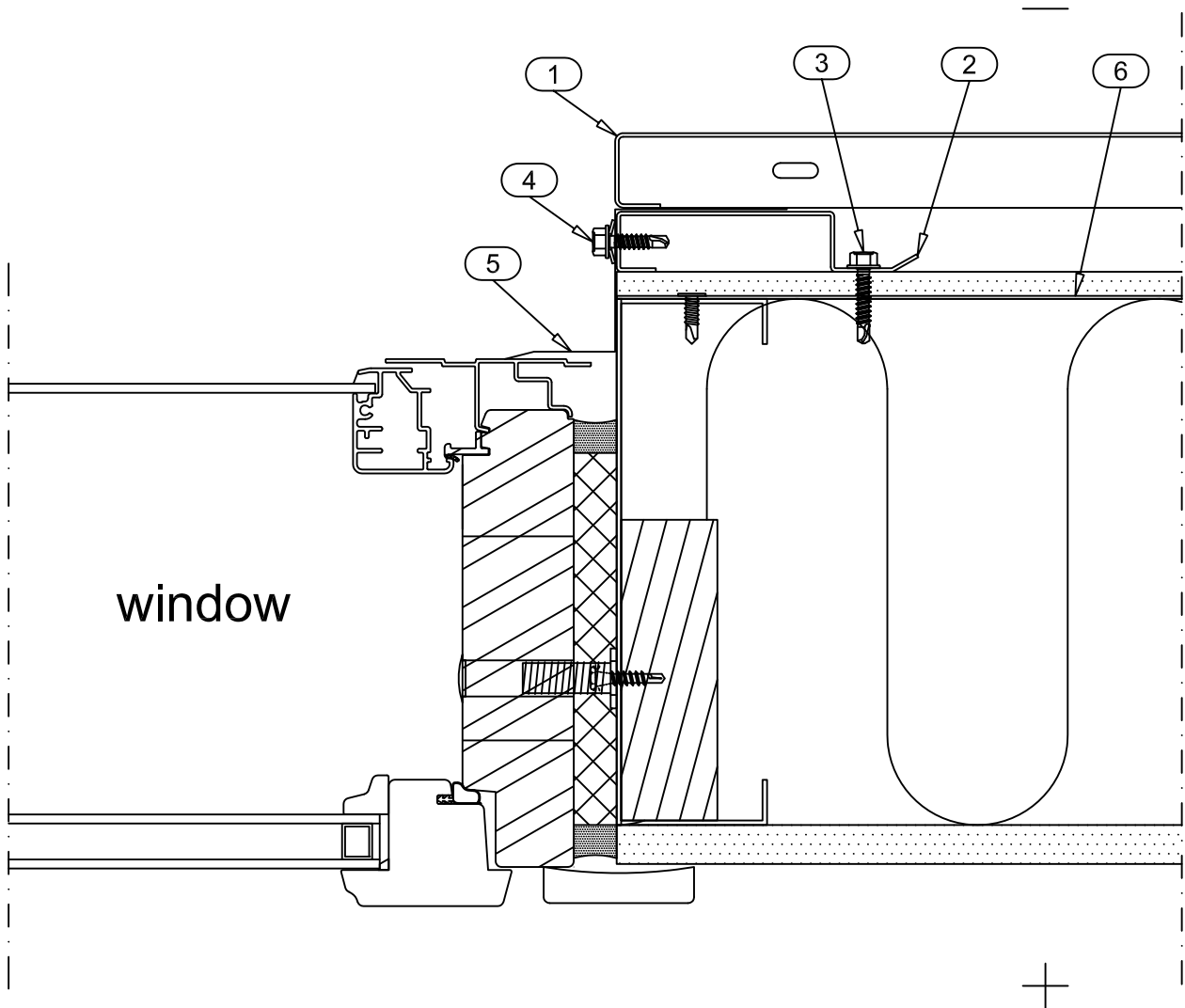
| | | | | |
|--------------------|-----------|----------|--------------------------|------|
| Date 12.08.2011 | Rev. date | Work nr. | Drw. nr. LRSP102DE-12 | Rev. |
| Drawn by Ruukki | Rev. | | | |
| Scale 1:2.5 | Building | | File nr. | |



- 1. LIBERTA ORIGINAL 102 & 102GRANDE
- 2. SUPPORT STUD CA1SS1
- 3. SCREW S1H48025D03 (SFS intec SD3-4.8x25)
- 4. SCREW S3H48020D03A4 (SFS intec SD3-S-A14-4.8x20)
- 5. COVER FLASHING CA1C10X
- 6. COVER FLASHING CA1C9X
- 7. SCREW S3H48035WA4 (SFS intec SW2-S-A14-4.8x35)
- 8. SEALING STRIP EA3SS410

DELIVERY OF RUUKKI

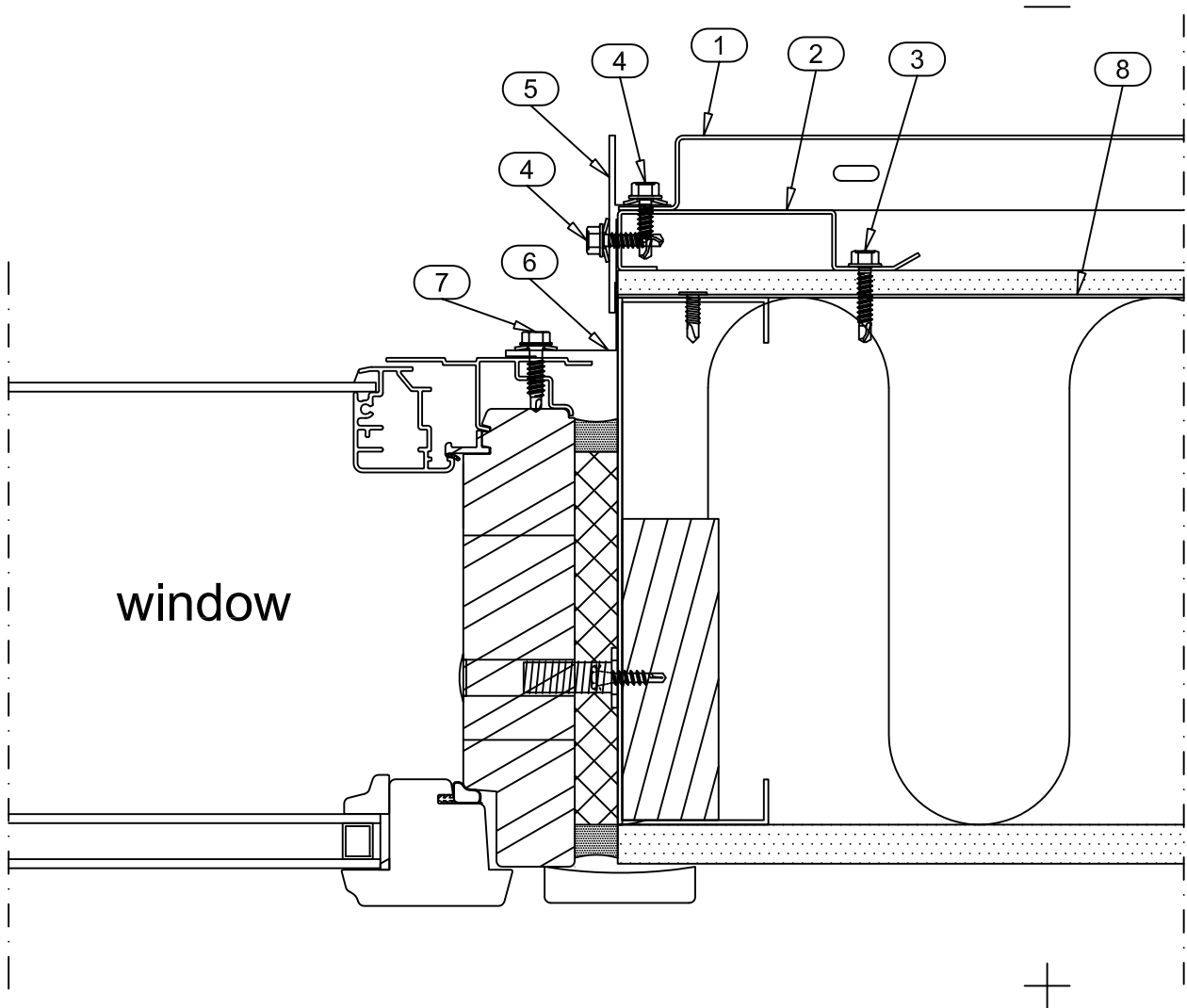
| | | | | |
|--------------------|-----------|----------|--------------------------|------|
| Date 12.08.2011 | Rev. date | Work nr. | Drw. nr. LRSP102DE-13 | Rev. |
| Drawn by Ruukki | Rev. | | | |
| Scale 1:2.5 | Building | | File nr. | |



- 1. LIB. ORIGINAL 102 & 102GRANDE (special panel: vertical edge bended to backside)
- 2. SUPPORT STUD CA1RS1
- 3. SCREW S1H48025D03 (SFS intec SD3-4.8x25)
- 4. SCREW S3H48020D03A4 (SFS intec SD3-S-A14-4.8x20)
- 5. COVER FLASHING CA1C1X
- 6. HORIZONTAL BRACE STRIP (for fastening studs)

DELIVERY OF RUUKKI

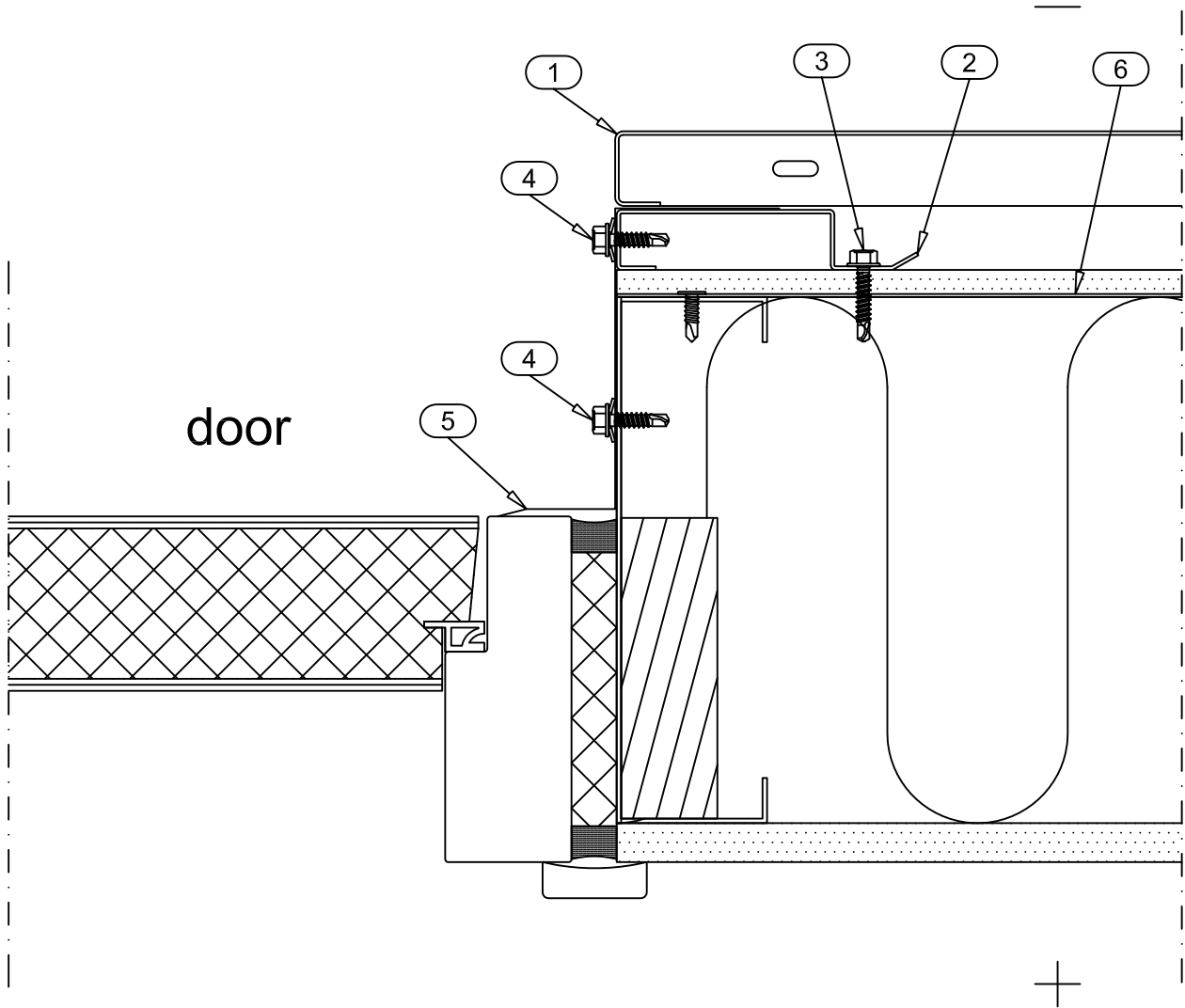
| | | | | |
|--------------------|-----------|----------|--------------------------|------|
| Date 12.08.2011 | Rev. date | Work nr. | Drw. nr. LRSP102DE-14 | Rev. |
| Drawn by Ruukki | Rev. | | | |
| Scale 1:2.5 | Building | | File nr. | |



- 1. LIBERTA ORIGINAL 102 & 102GRANDE
- 2. SUPPORT STUD CA1RS1
- 3. SCREW S1H48025D03 (SFS intec SD3-4.8x25)
- 4. SCREW S3H48020D03A4 (SFS intec SD3-S-A14-4.8x20)
- 5. COVER FLASHING CA1C3X
- 6. COVER FLASHING CA1C12X
- 7. SCREW S3H55022L02A4 (SFS intec SL2-S-A14-5.5x22)
- 8. HORIZONTAL BRACE STRIP (for fastening studs)

DELIVERY OF RUUKKI

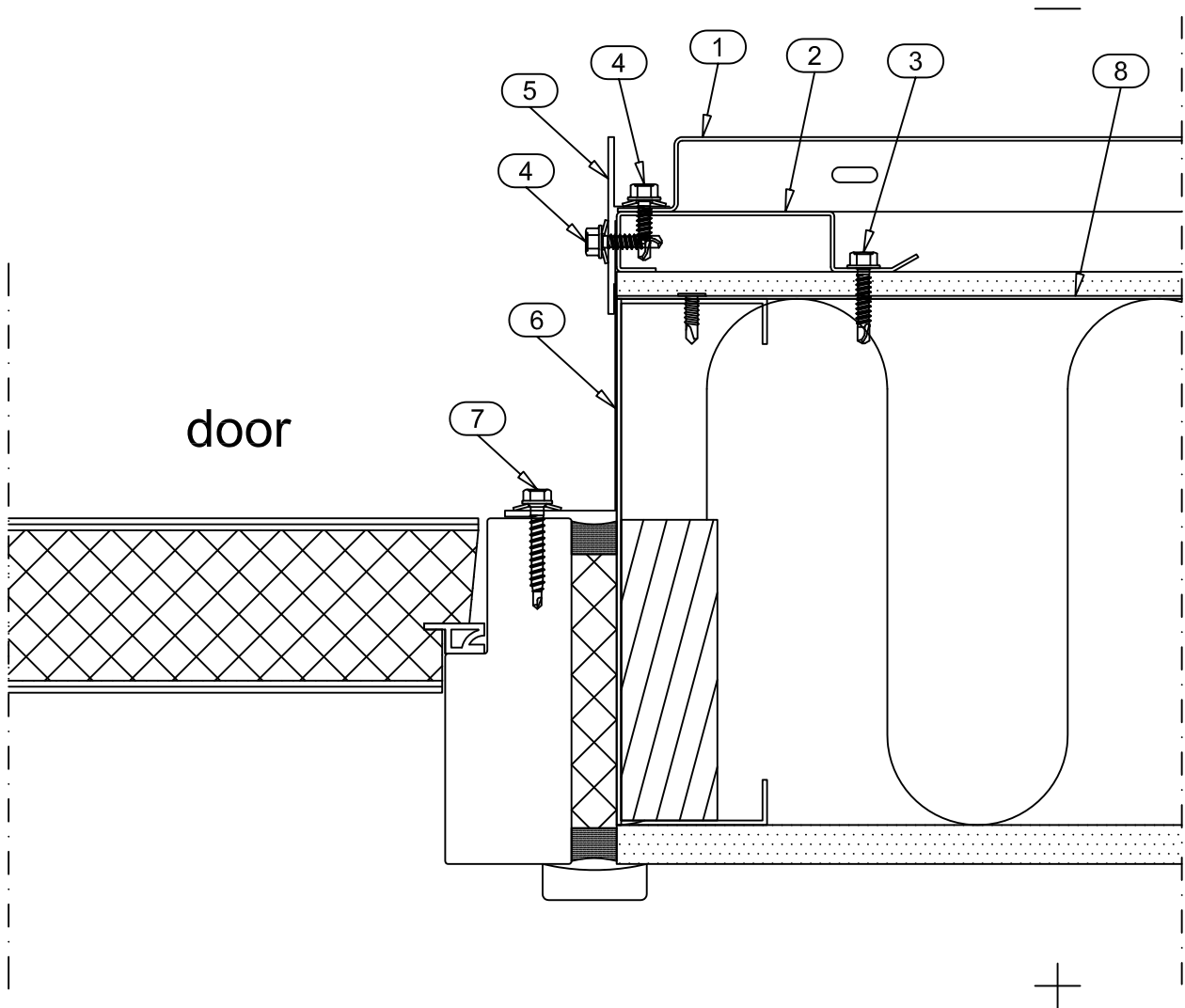
| | | | | |
|--------------------|-----------|----------|--------------------------|------|
| Date 12.08.2011 | Rev. date | Work nr. | Drw. nr. LRSP102DE-15 | Rev. |
| Drawn by Ruukki | Rev. | | | |
| Scale 1:2.5 | Building | | File nr. | |



- 1. LIB. ORIGINAL 102 & 102GRANDE (special panel: vertical edge bended to backside)
- 2. SUPPORT STUD CA1RS1
- 3. SCREW S1H48025D03 (SFS intec SD3-4.8x25)
- 4. SCREW S3H48020D03A4 (SFS intec SD3-S-A14-4.8x20)
- 5. COVER FLASHING CA1C1X
- 6. HORIZONTAL BRACE STRIP (for fastening studs)

DELIVERY OF RUUKKI

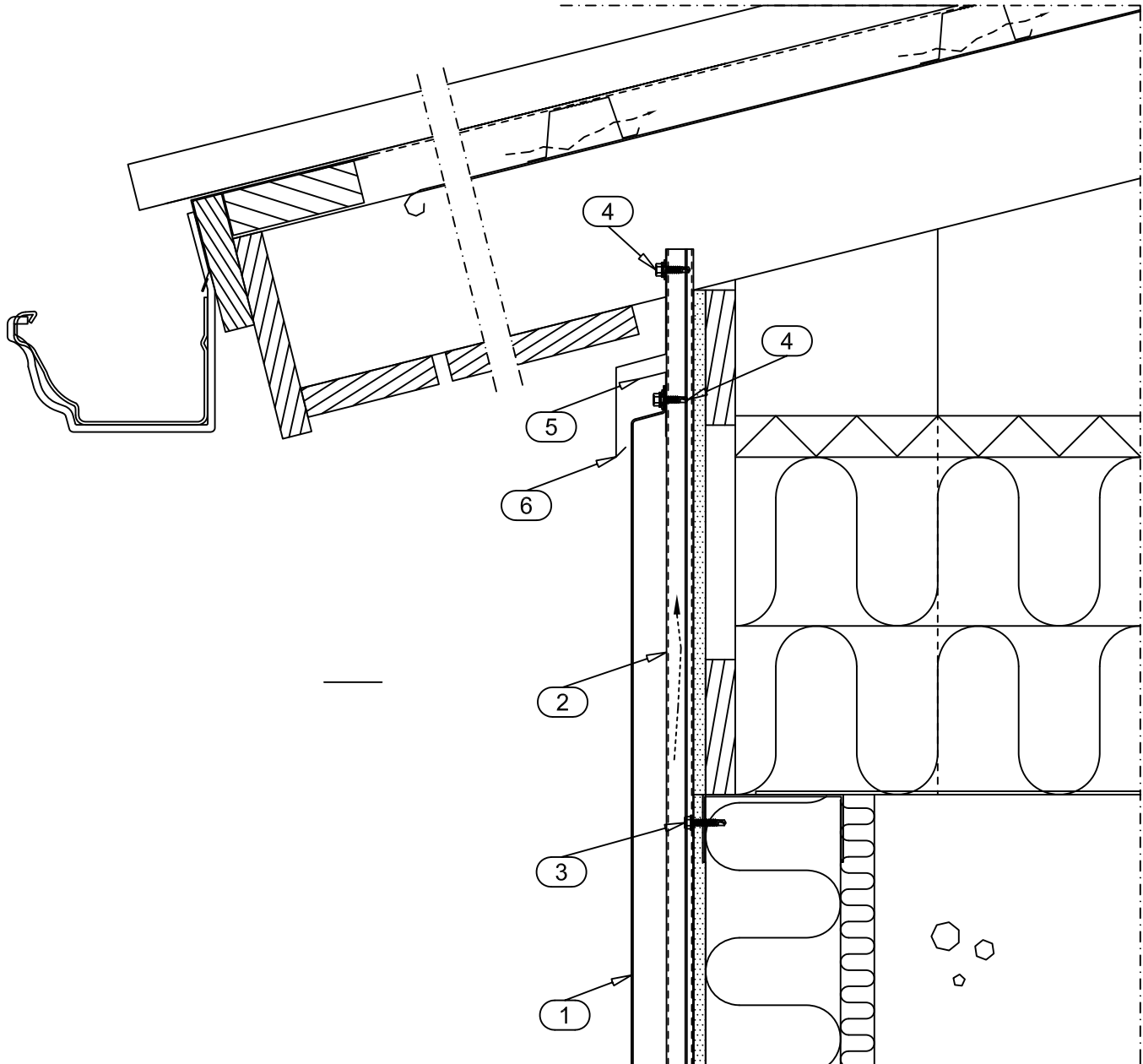
| | | | | |
|--------------------|-----------|----------|--------------------------|------|
| Date 12.08.2011 | Rev. date | Work nr. | Drw. nr. LRSP102DE-16 | Rev. |
| Drawn by Ruukki | Rev. | | | |
| Scale 1:2.5 | Building | | File nr. | |



- 1. LIBERTA ORIGINAL 102 & 102GRANDE
- 2. SUPPORT STUD CA1RS1
- 3. SCREW S1H48025D03 (SFS intec SD3-4.8x25)
- 4. SCREW S3H48020D03A4 (SFS intec SD3-S-A14-4.8x20)
- 5. COVER FLASHING CA1C3X
- 6. COVER FLASHING CA1C12X
- 7. SCREW S3H48035WA4 (SFS intec SW2-S-A14-4.8x35)
- 8. HORIZONTAL BRACE STRIP (for fastening studs)

DELIVERY OF RUUKKI

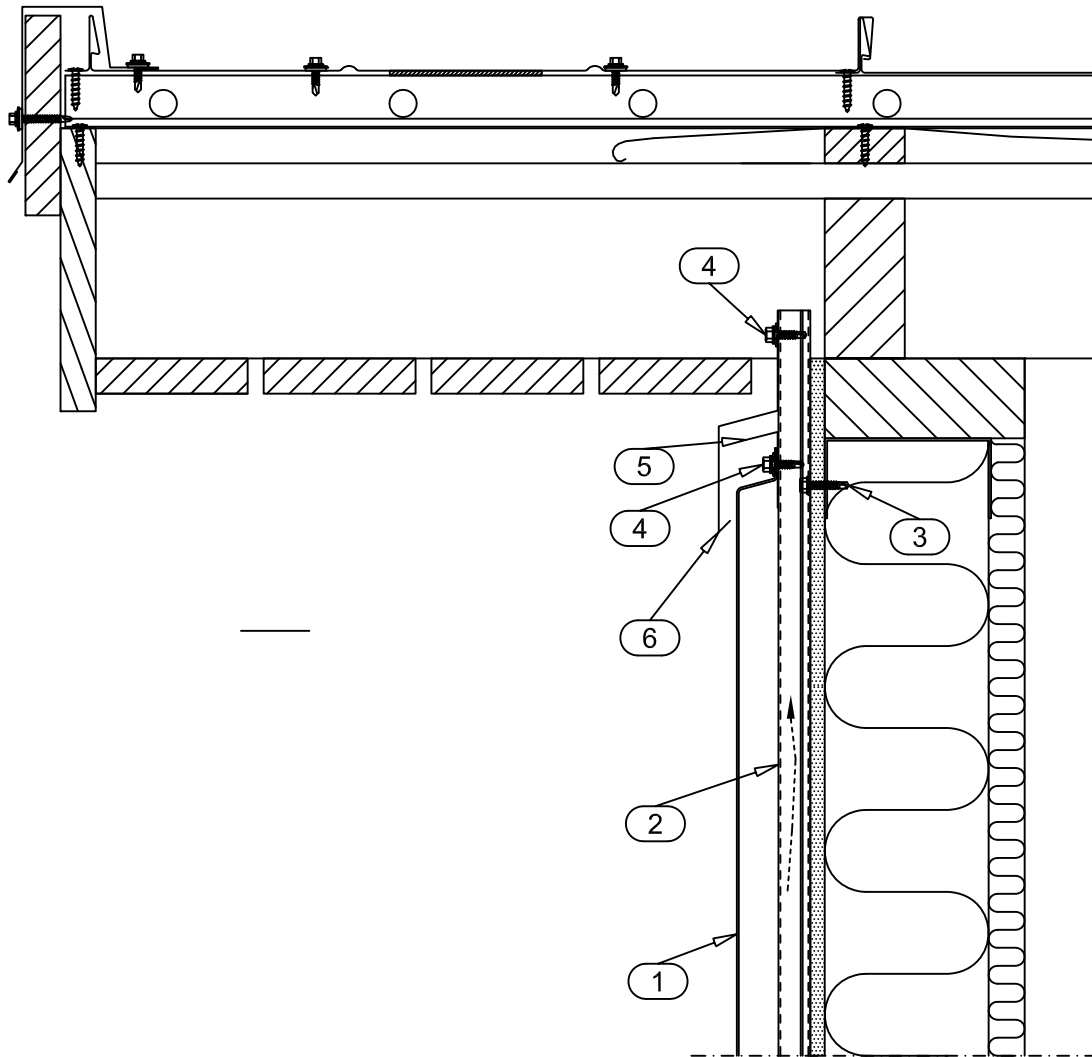
| | | | | |
|--------------------|-----------|----------|--------------------------|------|
| Date 12.08.2011 | Rev. date | Work nr. | Drw. nr. LRSP102DE-17 | Rev. |
| Drawn by Ruukki | Rev. | | | |
| Scale 1:5 | Building | | File nr. | |



- 1. LIBERTA ORIGINAL 102 & 102GRANDE
- 2. SUPPORT STUD CA1SS1
- 3. SCREW S1H48025D03 (SFS intec SD3-4.8x25)
- 4. SCREW S3H48020D03A4 (SFS intec SD3-S-A14-4.8x20)
- 5. STORM FLASHING CA1ST1X
- 6. EAVES FLASHING CA1E1X

DELIVERY OF RUUKKI

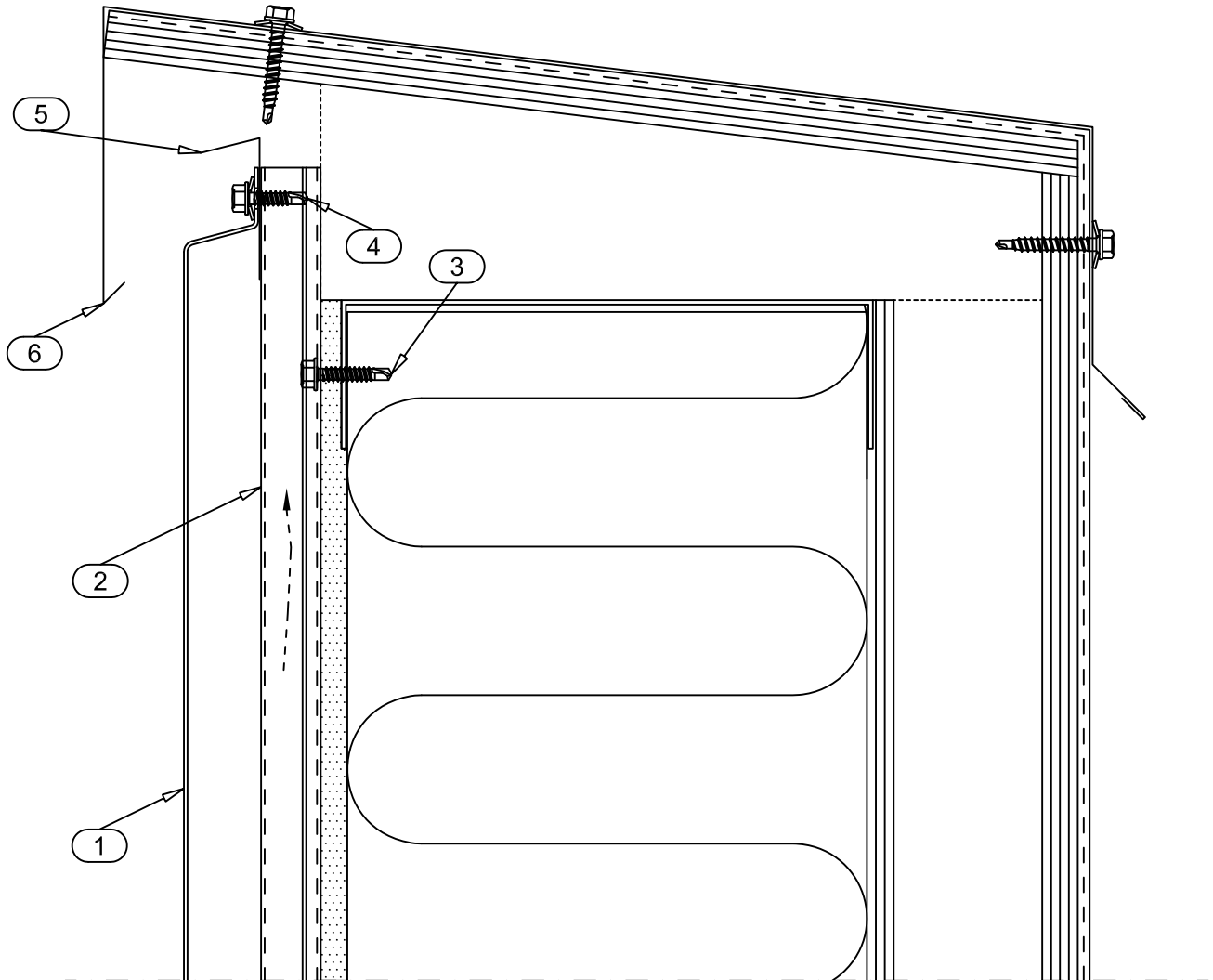
| | | | | |
|--------------------|-----------|----------|--------------------------|------|
| Date 12.08.2011 | Rev. date | Work nr. | Drw. nr. LRSP102DE-18 | Rev. |
| Drawn by Ruukki | Rev. | | | |
| Scale 1:5 | Building | | File nr. | |



- 1. LIBERTA ORIGINAL 102 & 102GRANDE, PITCHED PANEL
- 2. SUPPORT STUD CA1SS1
- 3. SCREW S1H48025D03 (SFS intec SD3-4.8x25)
- 4. SCREW S3H48020D03A4 (SFS intec SD3-S-A14-4.8x20)
- 5. STORM FLASHING CA1ST1X
- 6. EAVES FLASHING CA1E1X

DELIVERY OF RUUKKI

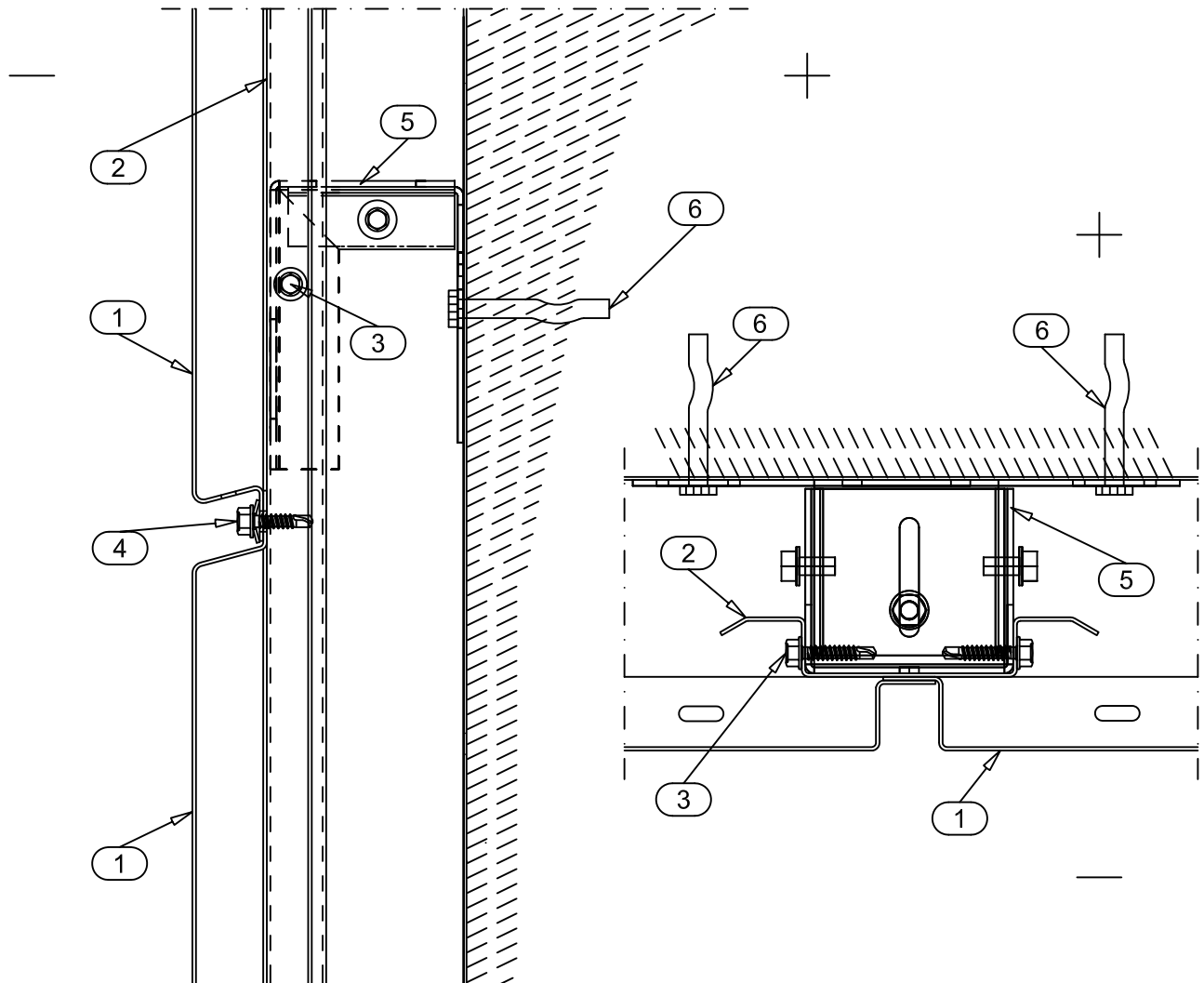
| | | | | |
|--------------------|-----------|----------|--------------------------|------|
| Date 12.08.2011 | Rev. date | Work nr. | Drw. nr. LRSP102DE-19 | Rev. |
| Drawn by Ruukki | Rev. | | | |
| Scale 1:2.5 | Building | | File nr. | |



- 1. LIBERTA ORIGINAL 102 & 102GRANDE
- 2. SUPPORT STUD CA1SS1
- 3. SCREW S1H48025D03 (SFS intec SD3-4.8x25)
- 4. SCREW S3H48020D03A4 (SFS intec SD3-S-A14-4.8x20)
- 5. STORM FLASHING CA1ST1X
- 6. EAVES FLASHING CA1E2X

DELIVERY OF RUUKKI

| | | | | |
|--------------------|-----------|----------|--------------------------|------|
| Date 12.08.2011 | Rev. date | Work nr. | Drw. nr. LRSP102DE-20 | Rev. |
| Drawn by Ruukki | Rev. | | | |
| Scale 1:2.5 | Building | | File nr. | |



- 1. LIBERTA ORIGINAL 102 & 102GRANDE
- 2. SUPPORT STUD CA1SS1
- 3. SCREW S1H48025D03 (SFS intec SD3-4.8x25)
- 4. SCREW S3H48020D03A4 (SFS intec SD3-S-A14-4.8x20)
- 5. ADJUSTABLE FASTENER CAFRSP
- 6. FASTENER

DELIVERY OF RUUKKI