
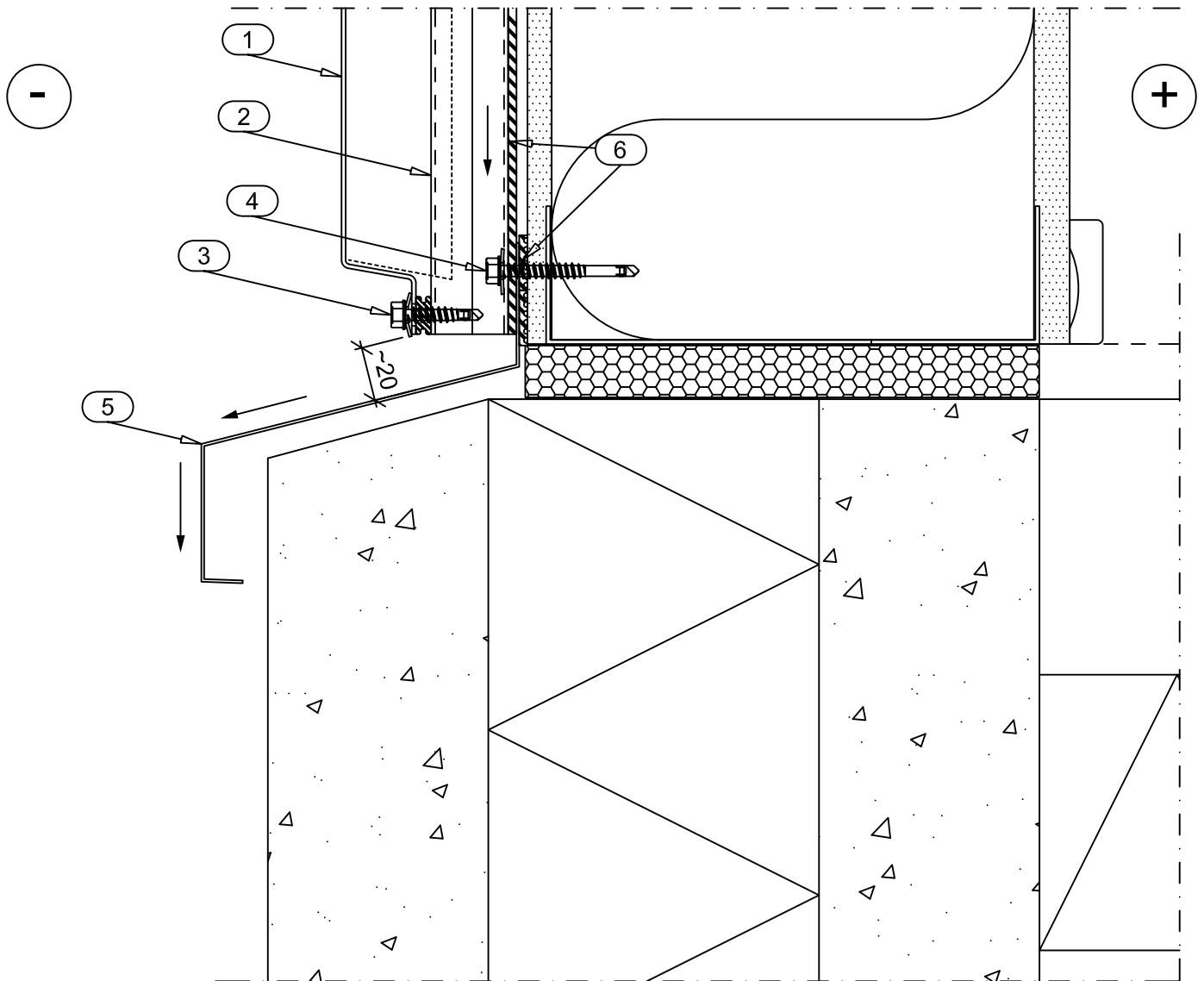


Drw. nr.	Contents of drawing	Date	Rev.	Rev. date
LRSP600DE-1	Plinth, vertical section	12.08.2011	.	.
LRSP600DE-2	Horizontal joint, vertical section	12.08.2011	.	.
LRSP600DE-3	Vertical joint and middle fastening, horizontal section	12.08.2011	.	.
LRSP600DE-4	External corner, short panel, horizontal section	12.08.2011	.	.
LRSP600DE-5	External corner, long panel, horizontal section	12.08.2011	.	.
LRSP600DE-6	Internal corner, horizontal section	12.08.2011	.	.
LRSP600DE-7	Lower edge of window, vertical section	12.08.2011	.	.
LRSP600DE-8	Upper edge of window, vertical section	12.08.2011	.	.
LRSP600DE-9	Upper edge of door, vertical section	12.08.2011	.	.
LRSP600DE-10	Vertical edge of window, horizontal section	12.08.2011	.	.
LRSP600DE-11	Vertical edge of door, horizontal section	12.08.2011	.	.
LRSP600DE-12	Side eaves, vertical section	12.08.2011	.	.
LRSP600DE-13	Gable eaves, vertical section	12.08.2011	.	.
LRSP600DE-14	Short eaves, vertical section	12.08.2011	.	.
LRSP600DE-15	Horizontal and vertical joint, support studs fastened by adjustable fastener	12.08.2011	.	.

City sector		Block	Site/Reg. nr.	File nr.	
Building type			Drawing type		Nr.
Building, Name and address			Contents of drawing		Scale
			Liberta Cor-Ten 600		
			BASE DETAIL DRAWINGS		
Date 12.08.2011	Designer Ruukki		Work nr.	Work nr.	Drw. nr.
Drawn by	Checked				Rev.

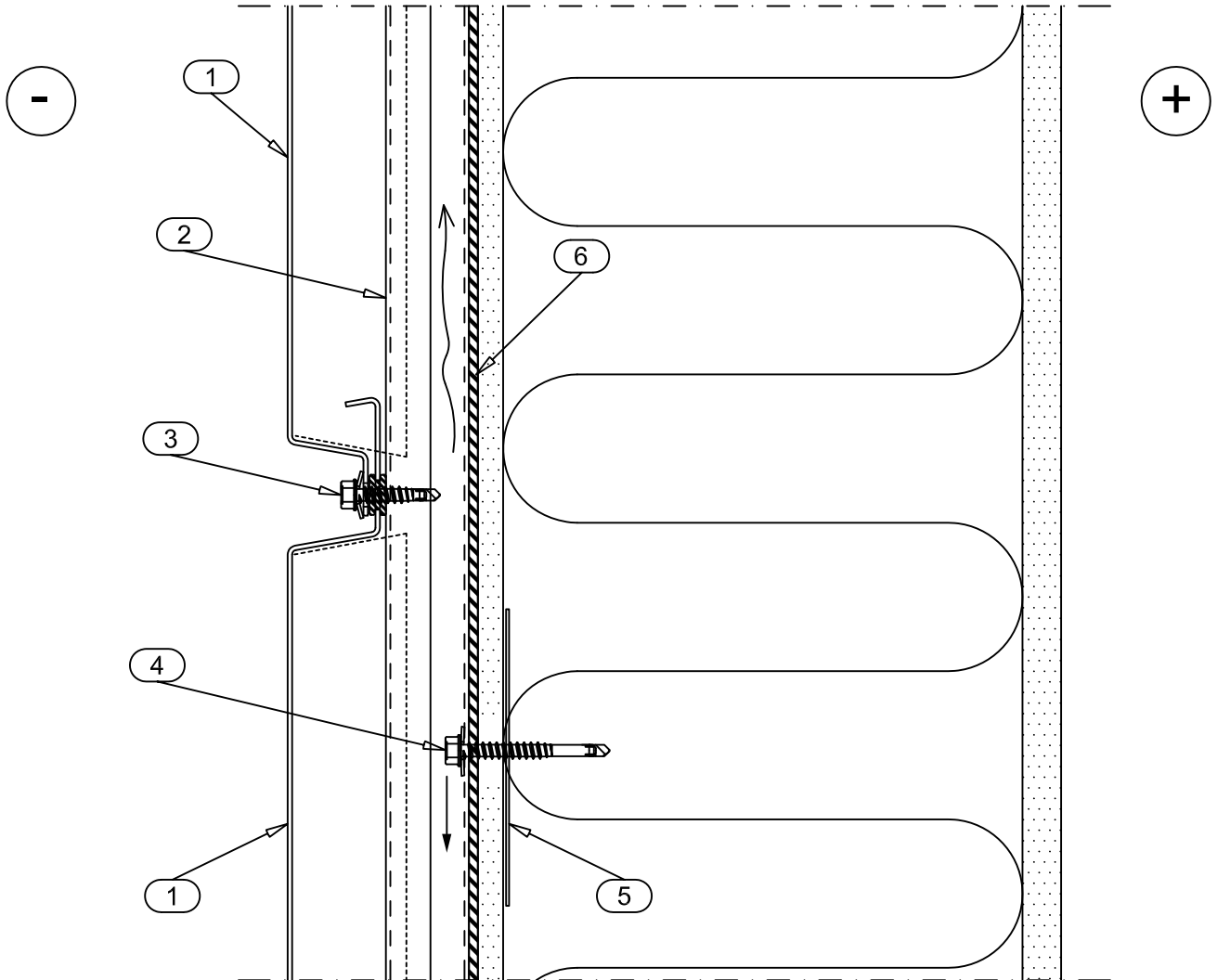
Date 12.08.2011	Rev. date	Work nr.	Drw. nr. LRSP600DE-1	Rev.
Drawn by Ruukki	Rev.			
Scale 1:2.5	Building		File nr.	



- 1. LIBERTA COR-TEN 600
- 2. SUPPORT STUD CA1SS3
- 3. SCREW S3H60029D03S6 (SFS intec SX3/9-S16-6x29)  
+ SEPARATING PIECE EPDM CA3SP814
- 4. SCREW S3H60050D03S6 (SFS intec SX3/20-S16-6x50)
- 5. PLINTH FLASHING CA1P2X
- 6. SEPARATING STRIP EPDM CA3SE420

DELIVERY OF RUUKKI

Date 12.08.2011	Rev. date	Work nr.	Drw. nr. LRSP600DE-2	Rev.
Drawn by Ruukki	Rev.			
Scale 1:2.5	Building	File nr.		



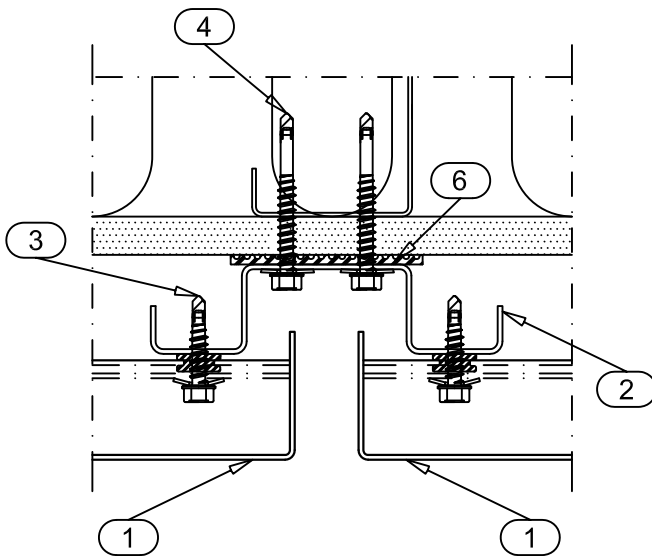
- 1. LIBERTA COR-TEN 600
- 2. SUPPORT STUD CA1SS3
- 3. SCREW S3H60029D03S6 (SFS intec SX3/9-S16-6x29)  
+ SEPARATING PIECE EPDM CA3SP814
- 4. SCREW S3H60050D03S6 (SFS intec SX3/20-S16-6x50)
- 5. HORIZONTAL BRACE STRIP (for fastening studs)
- 6. SEPARATING STRIP EPDM CA3SE420

DELIVERY OF RUUKKI

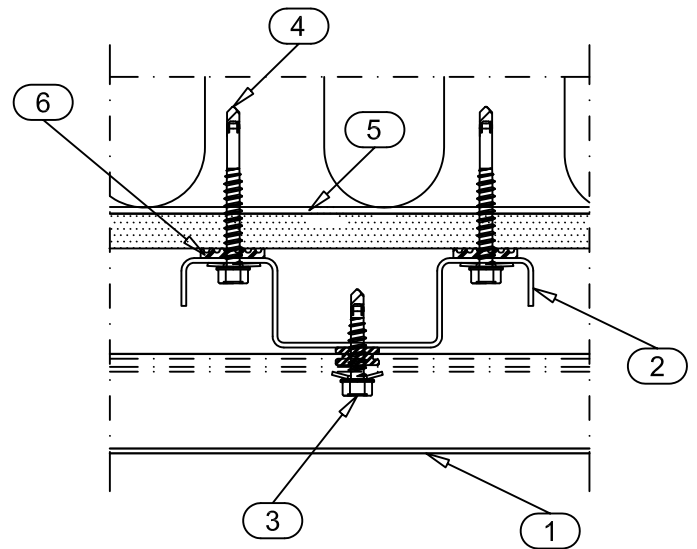
Date 12.08.2011	Rev. date	Work nr.	Drw. nr. LRSP600DE-3	Rev.
Drawn by Ruukki	Rev.			
Scale 1:2.5	Building		File nr.	



### VERTICAL JOINT



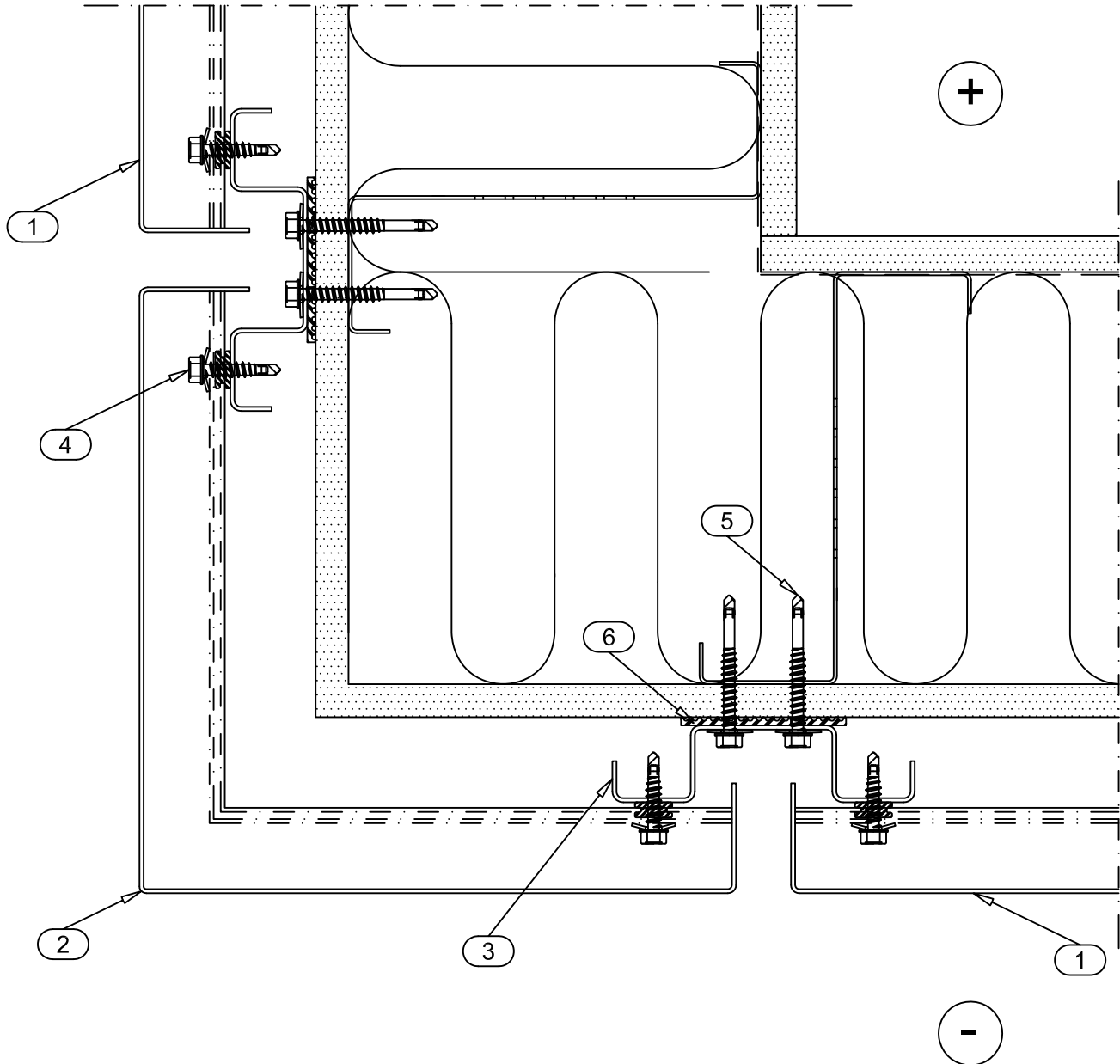
### MIDDLE FASTENING



- 1. LIBERTA COR-TEN 600
- 2. SUPPORT STUD CA1SS3
- 3. SCREW S3H60029D03S6 (SFS intec SX3/9-S16-6x29)  
+ SEPARATING PIECE EPDM CA3SP814
- 4. SCREW S3H60050D03S6 (SFS intec SX3/20-S16-6x50)
- 5. HORIZONTAL BRACE STRIP (for fastening studs)
- 6. SEPARATING STRIP EPDM CA3SE420

DELIVERY OF RUUKKI

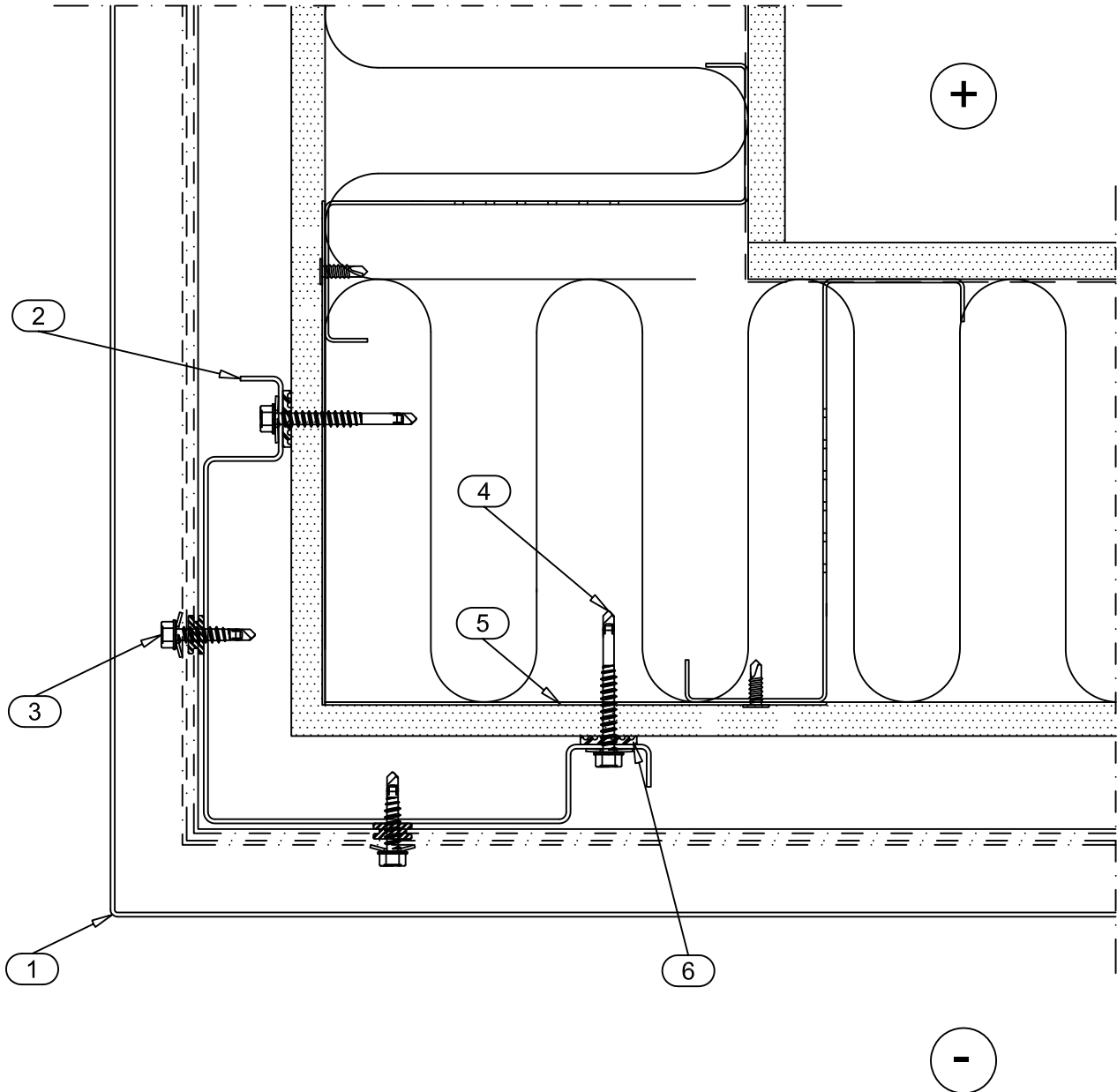
Date 12.08.2011	Rev. date	Work nr.	Drw. nr. LRSP600DE-4	Rev.
Drawn by Ruukki	Rev.			
Scale 1:2.5	Building		File nr.	



- 1. LIBERTA COR-TEN 600
- 2. LIBERTA COR-TEN 600, CORNER PANEL
- 3. SUPPORT STUD CA1SS3
- 4. SCREW S3H60029D03S6 (SFS intec SX3/9-S16-6x29)  
+ SEPARATING PIECE EPDM CA3SP814
- 5. SCREW S3H60050D03S6 (SFS intec SX3/20-S16-6x50)
- 6. SEPARATING STRIP EPDM CA3SE420

DELIVERY OF RUUKKI

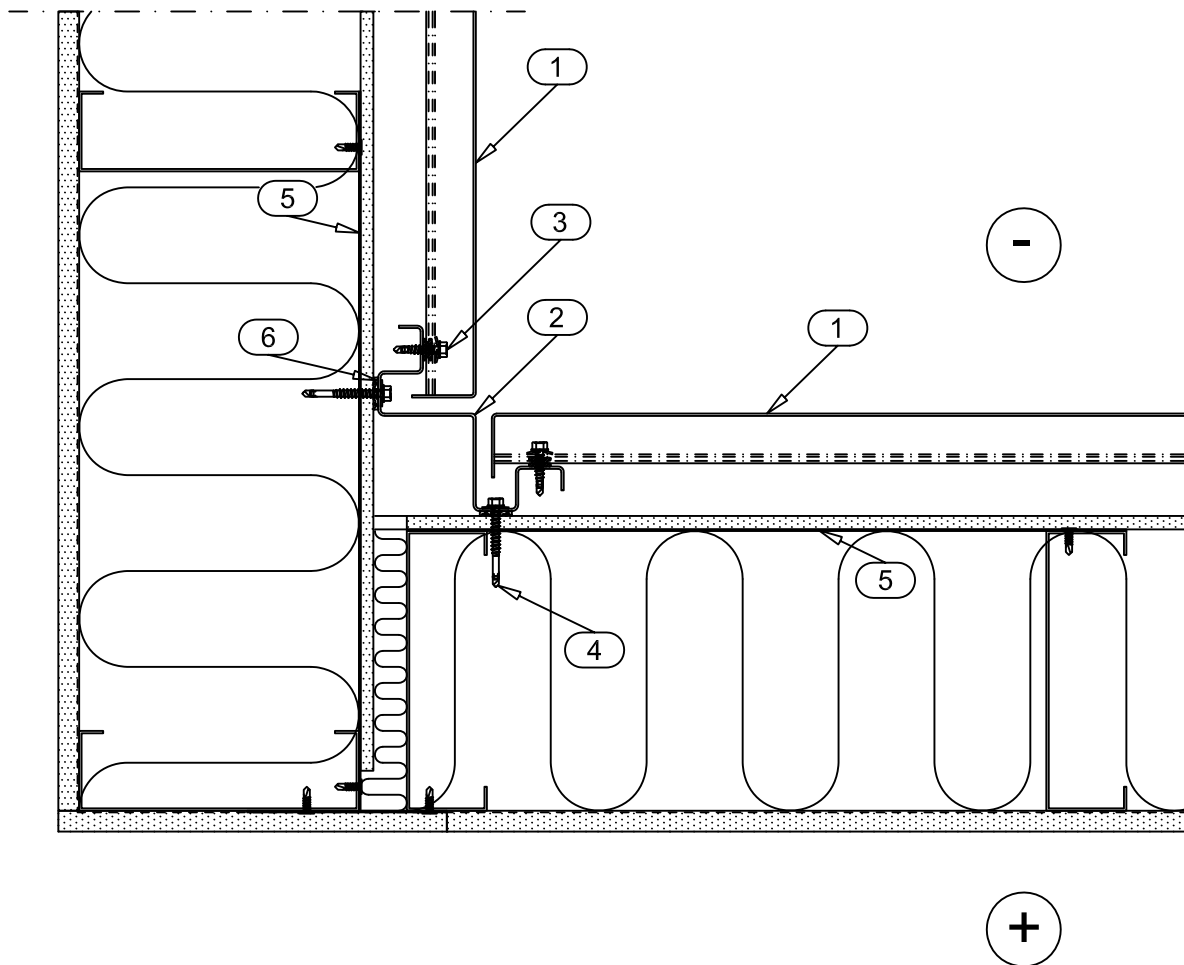
Date 12.08.2011	Rev. date	Work nr.	Drw. nr. LRSP600DE-5	Rev.
Drawn by Ruukki	Rev.			
Scale 1:2.5	Building		File nr.	



- 1. LIBERTA COR-TEN 600, CORNER PANEL
- 2. SUPPORT STUD CORNER CA1SSC2
- 3. SCREW S3H60029D03S6 (SFS intec SX3/9-S16-6x29)  
+ SEPARATING PIECE EPDM CA3SP814
- 4. SCREW S3H60050D03S6 (SFS intec SX3/20-S16-6x50)
- 5. HORIZONTAL BRACE STRIP (for fastening studs)
- 6. SEPARATING STRIP EPDM CA3SE420

DELIVERY OF RUUKKI

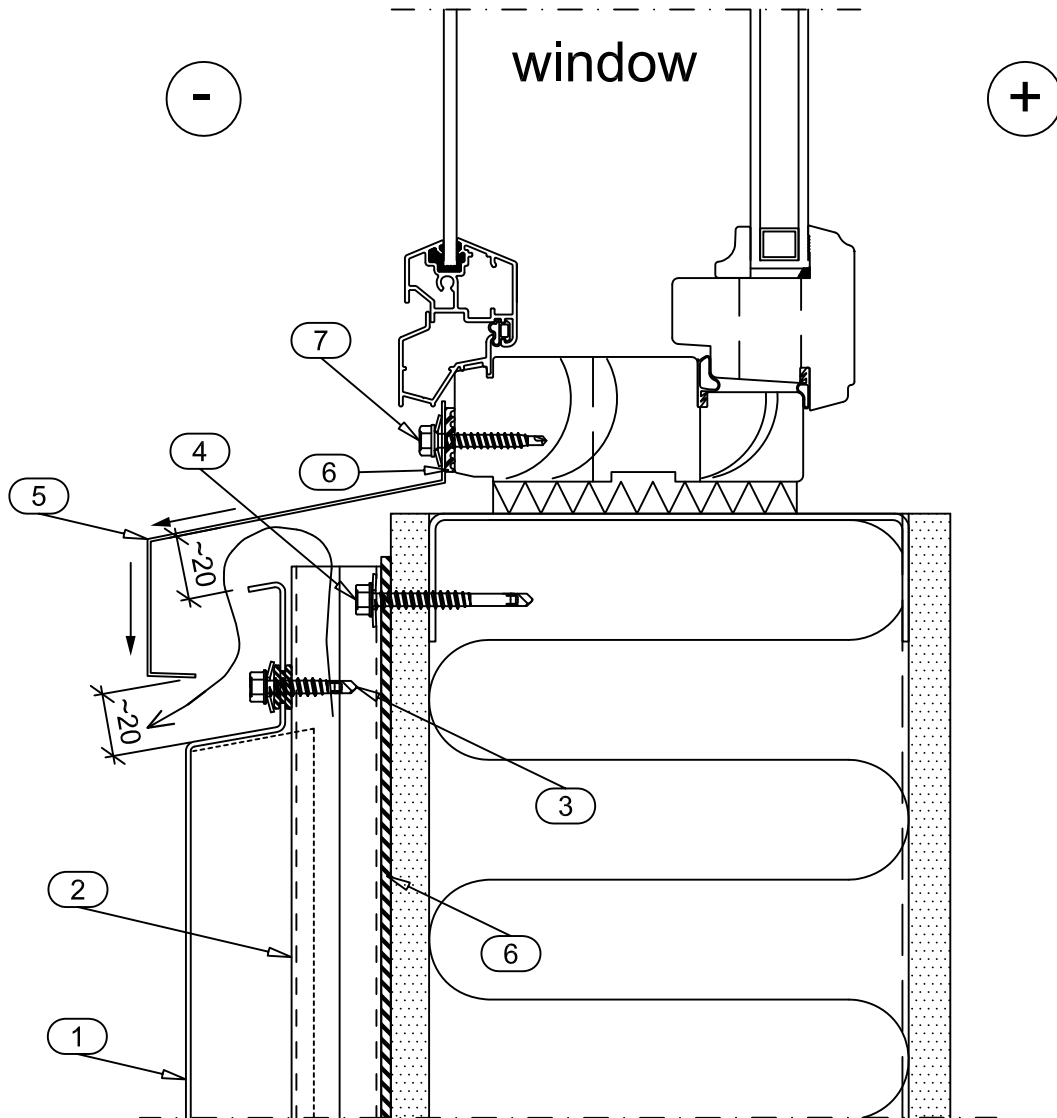
Date 12.08.2011	Rev. date .	Work nr.	Drw. nr. LRSP600DE-6	Rev.
Drawn by Ruukki	Rev. .		File nr. .	
Scale 1:5	Building .			



- 1. LIBERTA COR-TEN 600
- 2. SUPPORT STUD CORNER CA1SSC4
- 3. SCREW S3H60029D03S6 (SFS intec SX3/9-S16-6x29)  
+ SEPARATING PIECE EPDM CA3SP814
- 4. SCREW S3H60050D03S6 (SFS intec SX3/20-S16-6x50)
- 5. HORIZONTAL BRACE STRIP (for fastening studs)
- 6. SEPARATING STRIP EPDM CA3SE420

DELIVERY OF RUUKKI

Date 12.08.2011	Rev. date	Work nr.	Drw. nr. LRSP600DE-7	Rev.
Drawn by Ruukki	Rev.			
Scale 1:2.5	Building		File nr.	

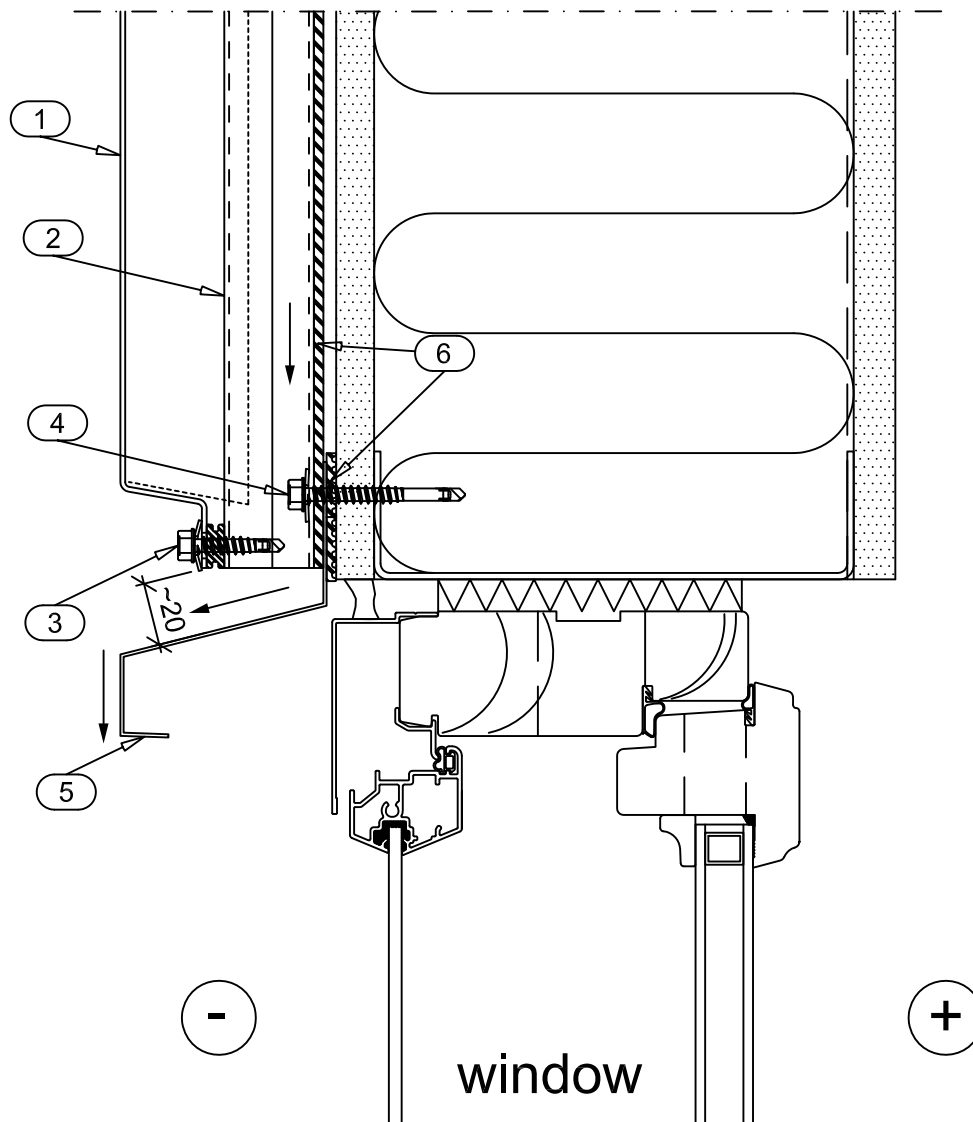


- 1. LIBERTA COR-TEN 600
- 2. SUPPORT STUD CA1SS3
- 3. SCREW S3H60029D03S6 (SFS intec SX3/9-S16-6x29)  
+ SEPARATING PIECE EPDM CA3SP814
- 4. SCREW S3H60050D03S6 (SFS intec SX3/20-S16-6x50)
- 5. SILL FLASHING CA1S2X
- 6. SEPARATING STRIP EPDM CA3SE420
- 7. SCREW S3H48035WA4 (SFS intec SW2-S-A14-4.8x35)

DELIVERY OF RUUKKI



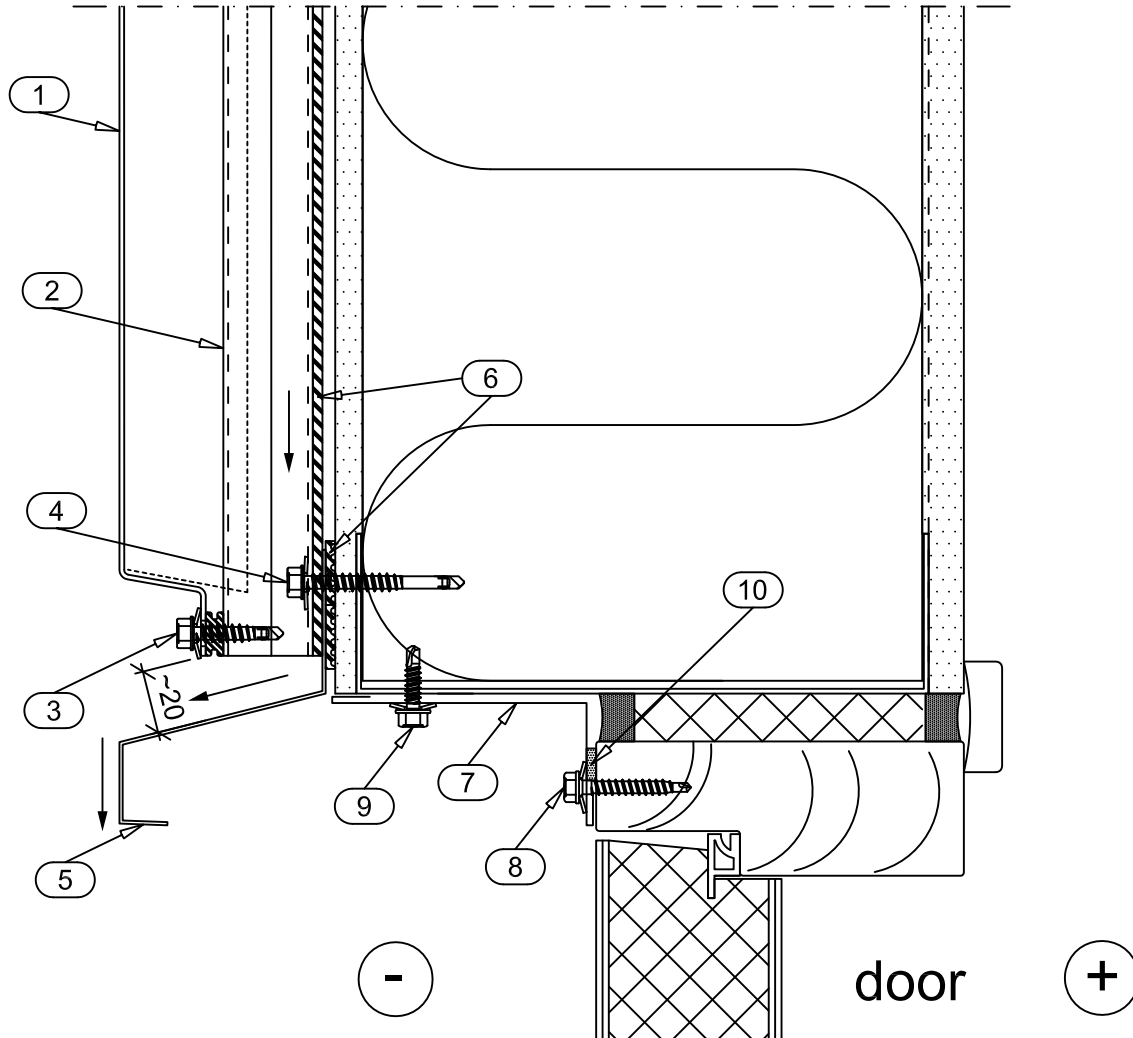
Date 12.08.2011	Rev. date	Work nr.	Drw. nr. LRSP600DE-8	Rev.
Drawn by Ruukki	Rev.			
Scale 1:2.5	Building		File nr.	



- 1. LIBERTA COR-TEN 600
- 2. SUPPORT STUD CA1SS3
- 3. SCREW S3H60029D03S6 (SFS intec SX3/9-S16-6x29)  
+ SEPARATING PIECE EPDM CA3SP814
- 4. SCREW S3H60050D03S6 (SFS intec SX3/20-S16-6x50)
- 5. (SILL) FLASHING CA1S2X
- 6. SEPARATING STRIP EPDM CA3SE420

DELIVERY OF RUUKKI

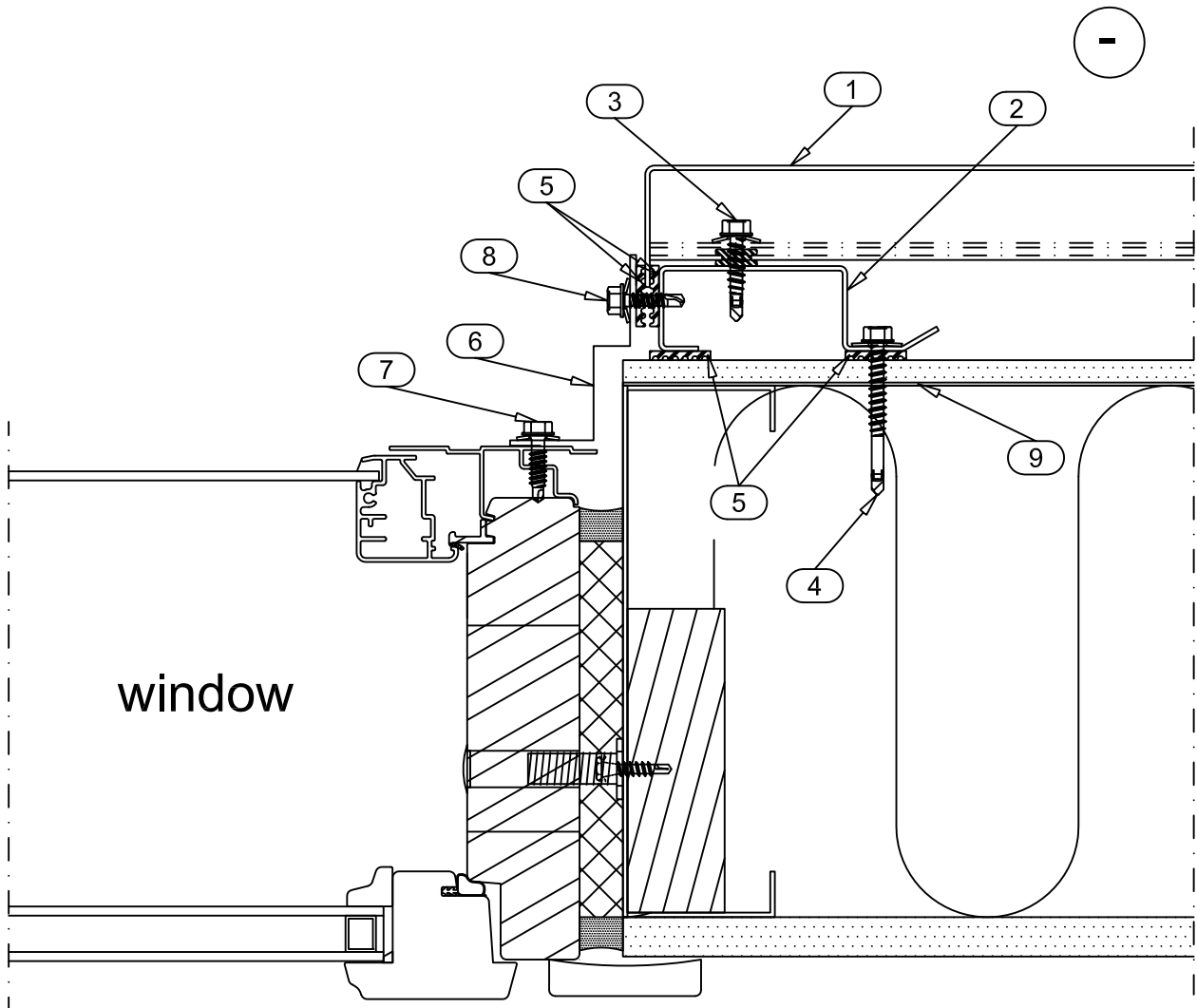
Date 12.08.2011	Rev. date	Work nr.	Drw. nr. LRSP600DE-9	Rev.
Drawn by Ruukki	Rev.			
Scale 1:2.5	Building		File nr.	



- 1. LIBERTA COR-TEN 600
- 2. SUPPORT STUD CA1SS3
- 3. SCREW S3H60029D03S6 (SFS intec SX3/9-S16-6x29)  
+ SEPARATING PIECE EPDM CA3SP814
- 4. SCREW S3H60050D03S6 (SFS intec SX3/20-S16-6x50)
- 5. (SILL) FLASHING CA1S2X
- 6. SEPARATING STRIP EPDM CA3SE420
- 7. COVER FLASHING CA1C10X (PVDF coated t=0.6)
- 8. SCREW S3H48035WA4 (SFS intec SW2-S-A14-4.8x35)
- 9. SCREW S3H48020D03A4 (SFS intec SD3-S-A14-4.8x20)
- 10. SEALING STRIP EA3SS410

DELIVERY OF RUUKKI

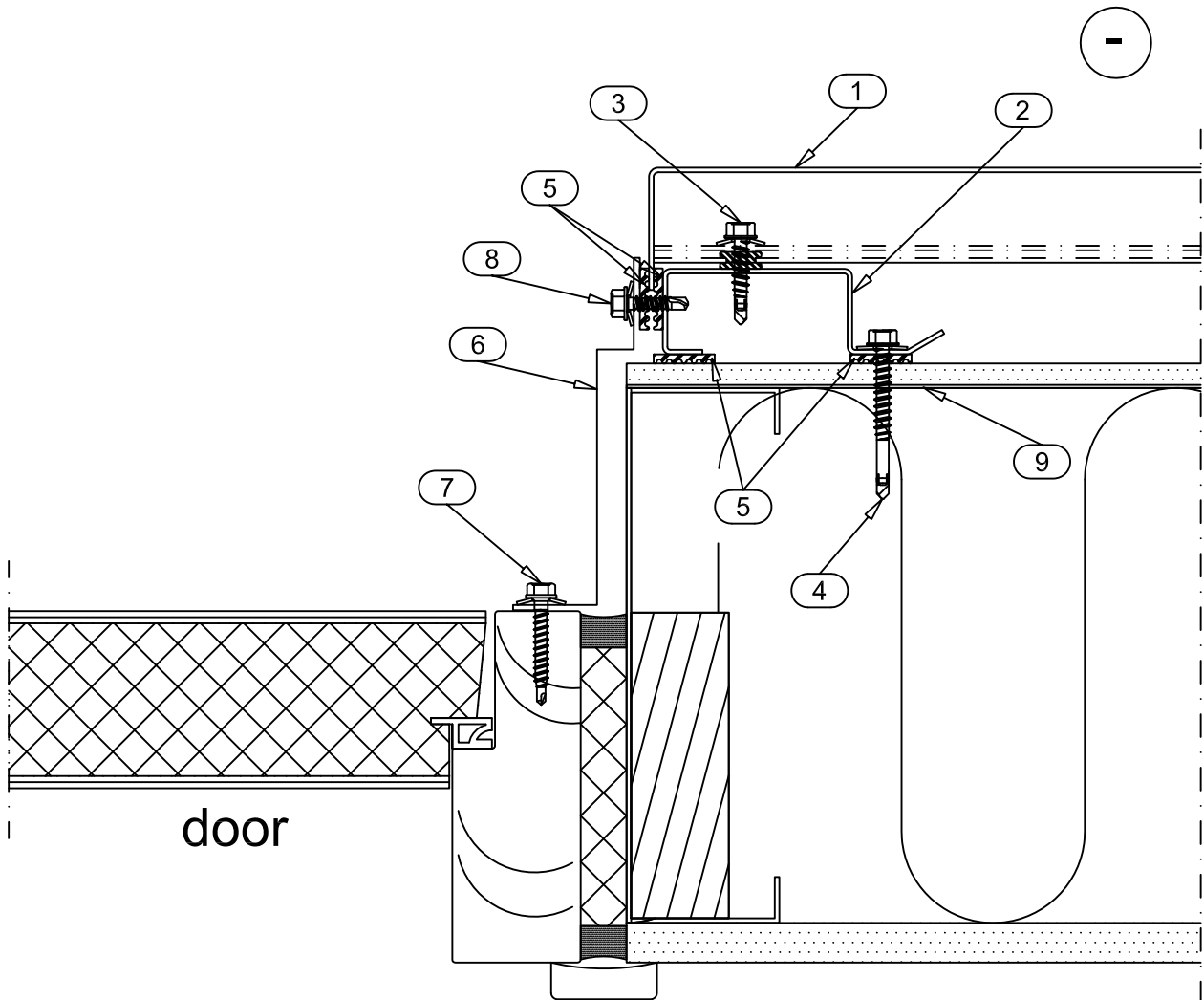
Date 12.08.2011	Rev. date	Work nr.	Drw. nr. LRSP600DE-10	Rev.
Drawn by Ruukki	Rev.			
Scale 1:2.5	Building		File nr.	



- 1. LIBERTA COR-TEN 600
- 2. SUPPORT STUD CA1RS2
- 3. SCREW S3H60029D03S6 (SFS intec SX3/9-S16-6x29)  
+ SEPARATING PIECE EPDM CA3SP814
- 4. SCREW S3H60050D03S6 (SFS intec SX3/20-S16-6x50)
- 5. SEPARATING STRIP EPDM CA3SE420
- 6. COVER FLASHING CA1C15X (PVDF coated t=0.6)
- 7. SCREW S3H55022L02A4 (SFS intec SL2-S-A14-5.5x22)
- 8. SCREW S3H48020D03A4 (SFS intec SD3-S-A14-4.8x20)
- 9. HORIZONTAL BRACE STRIP (for fastening studs)

DELIVERY OF RUUKKI

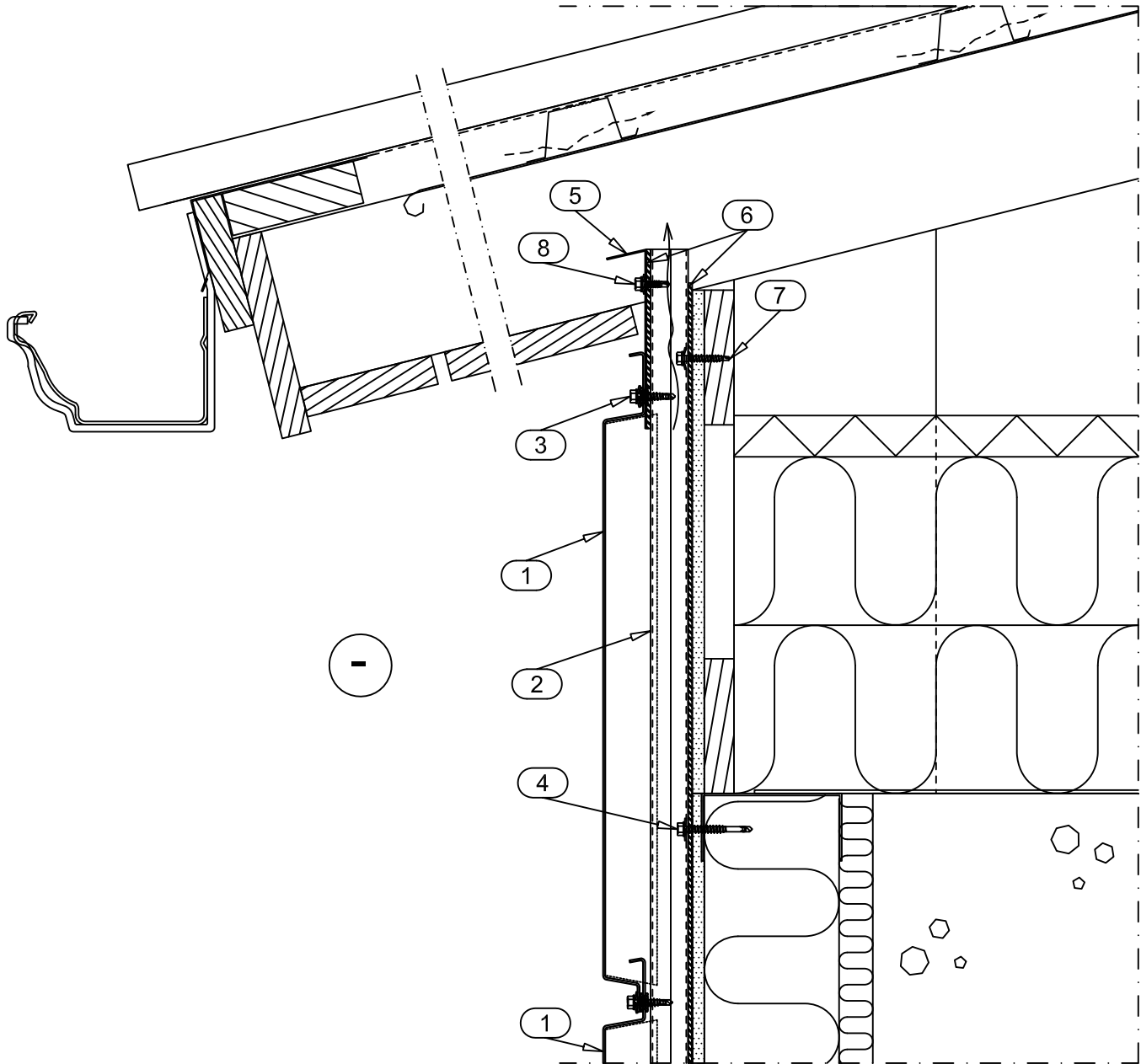
Date 12.08.2011	Rev. date	Work nr.	Drw. nr. LRSP600DE-11	Rev.
Drawn by Ruukki	Rev.			
Scale 1:2.5	Building		File nr.	



- 1. LIBERTA COR-TEN 600
- 2. SUPPORT STUD CA1RS2
- 3. SCREW S3H60029D03S6 (SFS intec SX3/9-S16-6x29)  
+ SEPARATING PIECE EPDM CA3SP814
- 4. SCREW S3H60050D03S6 (SFS intec SX3/20-S16-6x50)
- 5. SEPARATING STRIP EPDM CA3SE420
- 6. COVER FLASHING CA1C15X (PVDF coated t=0.6)
- 7. SCREW S3H48035WA4 (SFS intec SW2-S-A14-4.8x35)
- 8. SCREW S3H48020D03A4 (SFS intec SD3-S-A14-4.8x20)
- 9. HORIZONTAL BRACE STRIP (for fastening studs)

DELIVERY OF RUUKKI

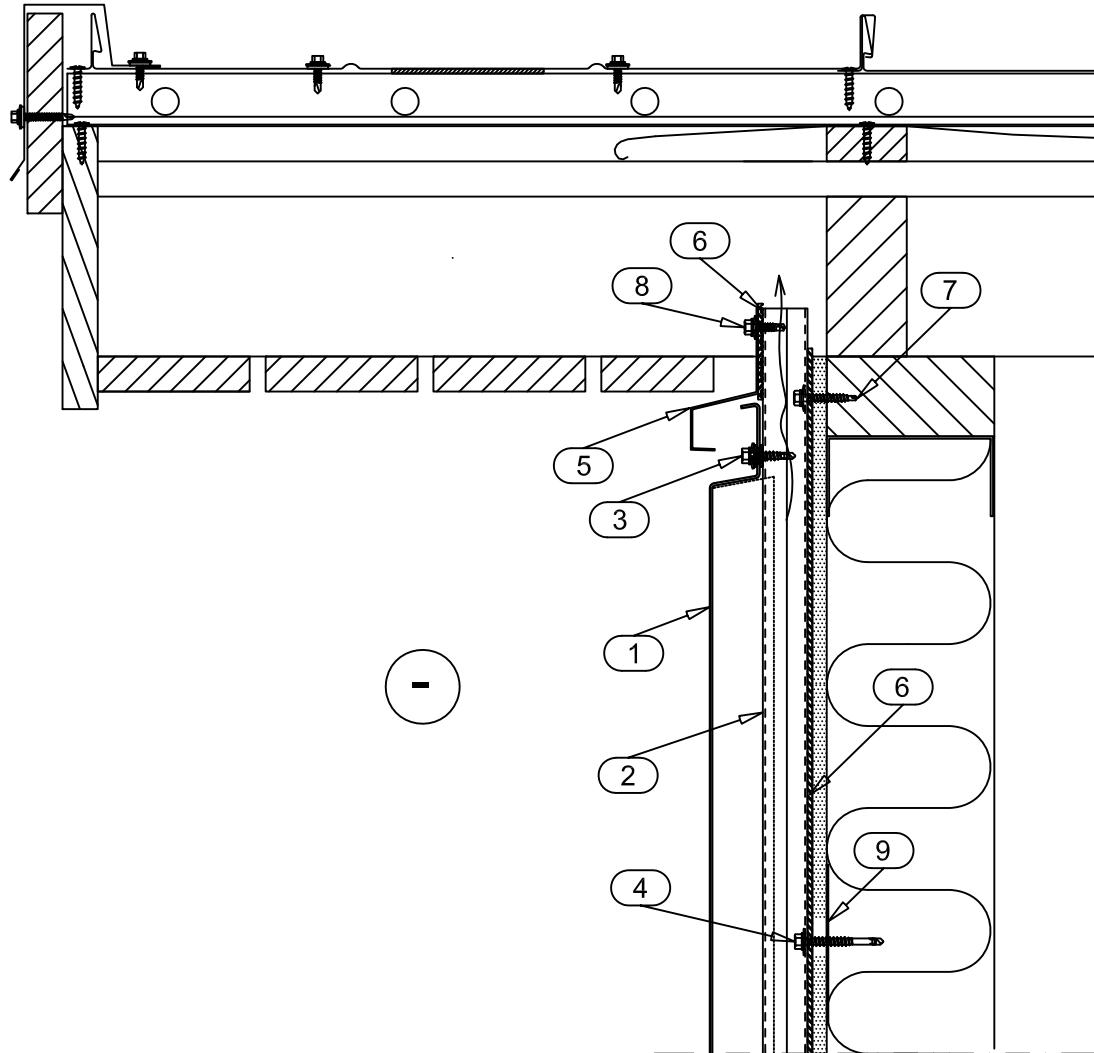
Date 12.08.2011	Rev. date .	Work nr.	Drw. nr. LRSP600DE-12	Rev.
Drawn by Ruukki	Rev.			
Scale 1:5	Building .		File nr.	



- 1. LIBERTA COR-TEN 600
- 2. SUPPORT STUD CA1SS3
- 3. SCREW S3H60029D03S6 (SFS intec SX3/9-S16-6x29)  
+ SEPARATING PIECE EPDM CA3SP814
- 4. SCREW S3H60050D03S6 (SFS intec SX3/20-S16-6x50)
- 5. STORM FLASHING CA1ST2X
- 6. SEPARATING STRIP EPDM CA3SE420
- 7. SCREW S3H48035WA4 (SFS intec SW2-S-A14-4.8x35)
- 8. SCREW S3H48020D03A4 (SFS intec SD3-S-A14-4.8x20)

DELIVERY OF RUUKKI

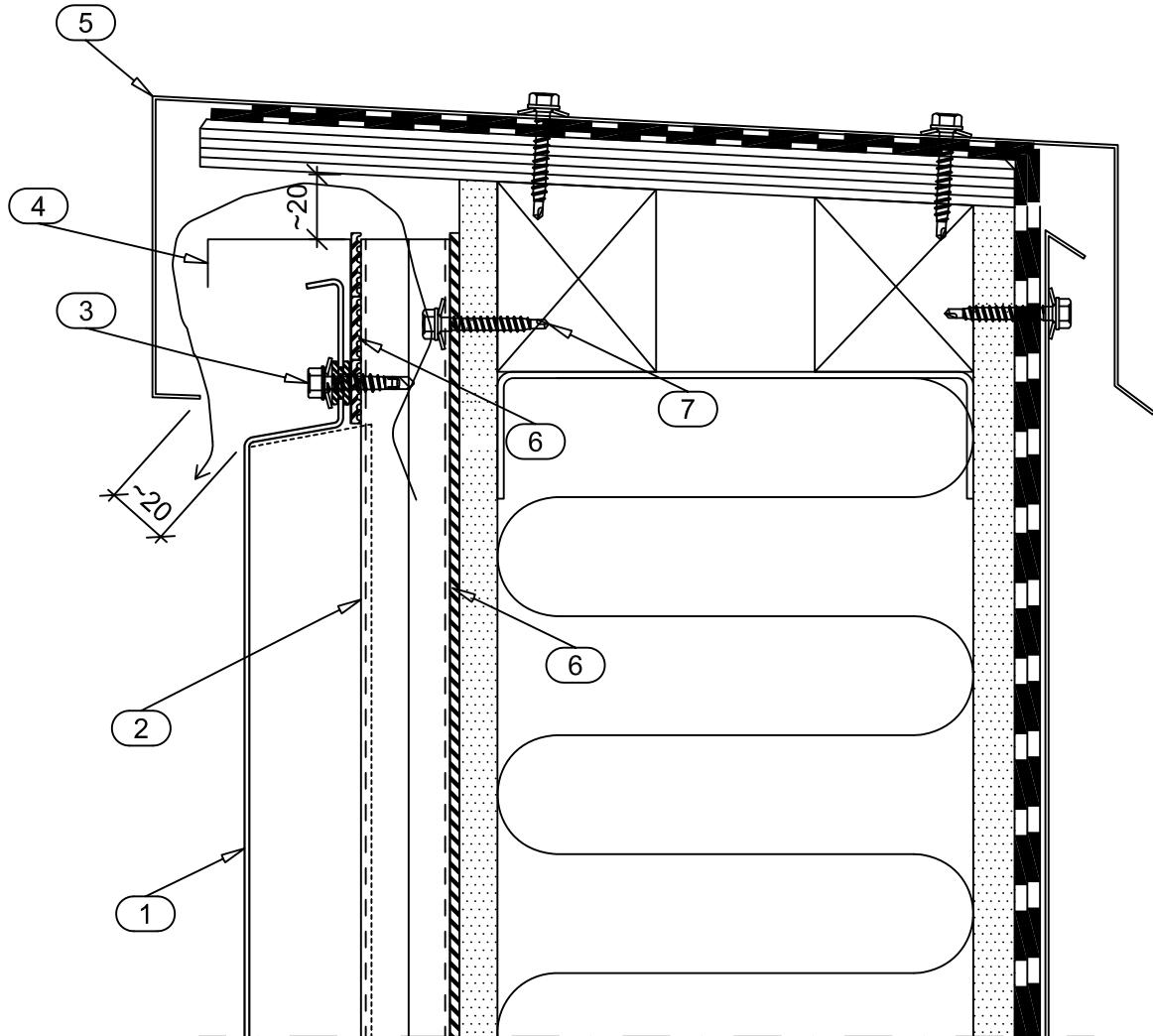
Date 12.08.2011	Rev. date .	Work nr.	Drw. nr. LRSP600DE-13	Rev.
Drawn by Ruukki	Rev. .		File nr. .	
Scale 1:5	Building .			



- 1. LIBERTA COR-TEN 600
- 2. SUPPORT STUD CA1SS3
- 3. SCREW S3H60029D03S6 (SFS intec SX3/9-S16-6x29)  
+ SEPARATING PIECE EPDM CA3SP814
- 4. SCREW S3H60050D03S6 (SFS intec SX3/20-S16-6x50)
- 5. EAVES FLASHING CA1E4X
- 6. SEPARATING STRIP EPDM CA3SE420
- 7. SCREW S3H48035WA4 (SFS intec SW2-S-A14-4.8x35)
- 8. SCREW S3H48020D03A4 (SFS intec SD3-S-A14-4.8x20)
- 9. HORIZONTAL BRACE STRIP (for fastening studs)

DELIVERY OF RUUKKI

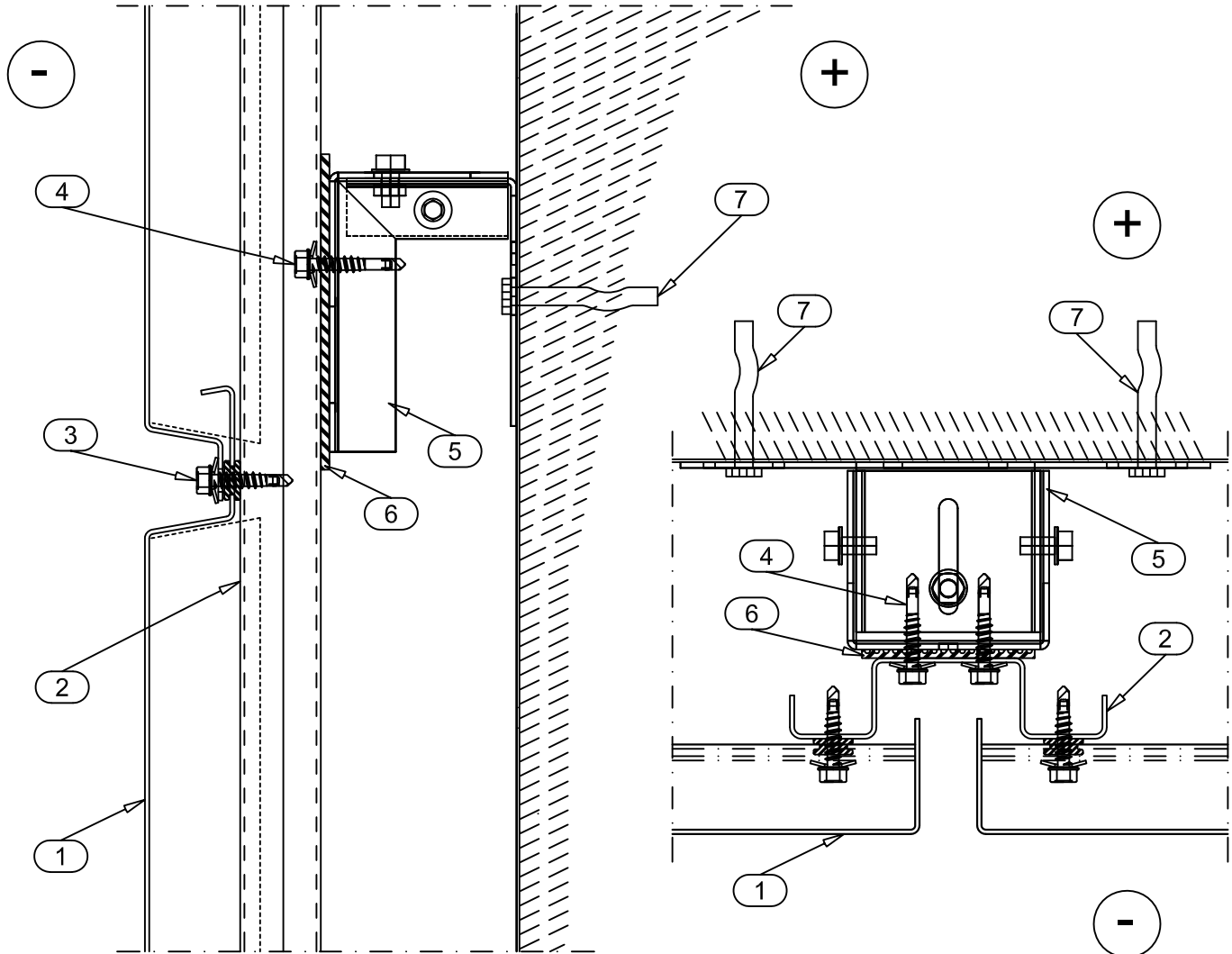
Date 12.08.2011	Rev. date	Work nr.	Drw. nr. LRSP600DE-14	Rev.
Drawn by Ruukki	Rev.			
Scale 1:2.5	Building		File nr.	



- 1. LIBERTA COR-TEN 600
- 2. SUPPORT STUD CA1SS3
- 3. SCREW S3H60029D03S6 (SFS intec SX3/9-S16-6x29)  
+ SEPARATING PIECE EPDM CA3SP814
- 4. REVERSE FLASHING CA1R1X (PVDF coated t=0.6)
- 5. EAVES FLASHING CA1E3X
- 6. SEPARATING STRIP EPDM CA3SE420
- 7. SCREW S3H48035WA4 (SFS intec SW2-S-A14-4.8x35)

DELIVERY OF RUUKKI

Date 12.08.2011	Rev. date	Work nr.	Drw. nr. LRSP600DE-15	Rev.
Drawn by Ruukki	Rev.			
Scale 1:2.5	Building		File nr.	



- 1. LIBERTA COR-TEN 600
- 2. SUPPORT STUD CA1SS3
- 3. SCREW S3H60029D03S6 (SFS intec SX3/9-S16-6x29)  
+ SEPARATING PIECE EPDM CA3SP814
- 4. SCREW S3H55033D05S6 (SFS intec SX5/8-S16-5.5x33)
- 5. ADJUSTABLE FASTENER CAFRSP
- 6. SEPARATING STRIP EPDM CA3SE420
- 7. FASTENER

DELIVERY OF RUUKKI